

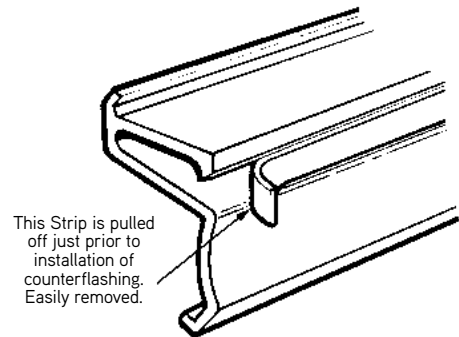
Cushion-Lock® Reglet Type B4

- PVC Construction
- No Reaction with Concrete
- No Caulking — now or ever
- 100% Leakproof
- No Exposed Metal Nails
- 10 ft. Lengths

The advanced design of this reglet offers a number of exclusive features, yet the in-place cost is actually lower than that of conventional reglets. The completely enclosed design of the B4 Reglet prevents any concrete from entering during pouring operation. Just prior to the installation of the counter-flashing, the integral protective strip is pulled off, exposing a clean recess ready to receive the counterflashing... and no caulking is needed as the snap-in and lock-in patented features of this reglet provides a 100% leakproof joint, yet future removal of the counterflashing for inspection or repair of roofing material is possible.

Recommended gauges for counterflashing are .020" to .032" maximum for aluminum or zinc; 26 to 24 gauge for steel; 16 or 20 oz. for copper. Fast and easy installation of counterflashing can be made under all weather conditions.

Each order for type B4 Reglet is supplied with sufficient connector plugs and installation instructions with a full-size template pattern for counterflashing.



Made of PVC (polyvinyl chloride) Plastic /060" thick, highest quality,

Specifications

Specify Dayton Superior Type B4 Reglets and counterflashing in sheet metal section of specs. Sample specification: "Use Cushion-Lock Type B4 Reglet of PVC (polyvinyl chloride) plastic ASTM-D1784-81, Class 14333D, as manufactured by Dayton Superior Corporation.

Connector Plugs

Connector Plugs, made from flexible PVC 3" long are supplied with B4 Reglet. They serve both to connect lengths of Reglet together, with adjoining openings perfectly aligned, as well as a plug to keep concrete from entering reglet at ends. Plugs may be easily removed to installation of counterflashing.

Installation

Counterflashing snaps and locks in position. Fastener is concealed and protected by counterflashing. DO NOT rivet or fasten ends of counterflashing together.

- Reglet is fastened to form at 12" O.C. with 6 or 8 penny double-headed nail.
- Concave design provides spring-like action to hold reglet tightly against form lumber, when nail is driven home.
- Reglet in position, after form is stripped, but prior to removal or integral protective strip.
- Lip acts as waterstop to prevent any possible water seepage behind reglet.

