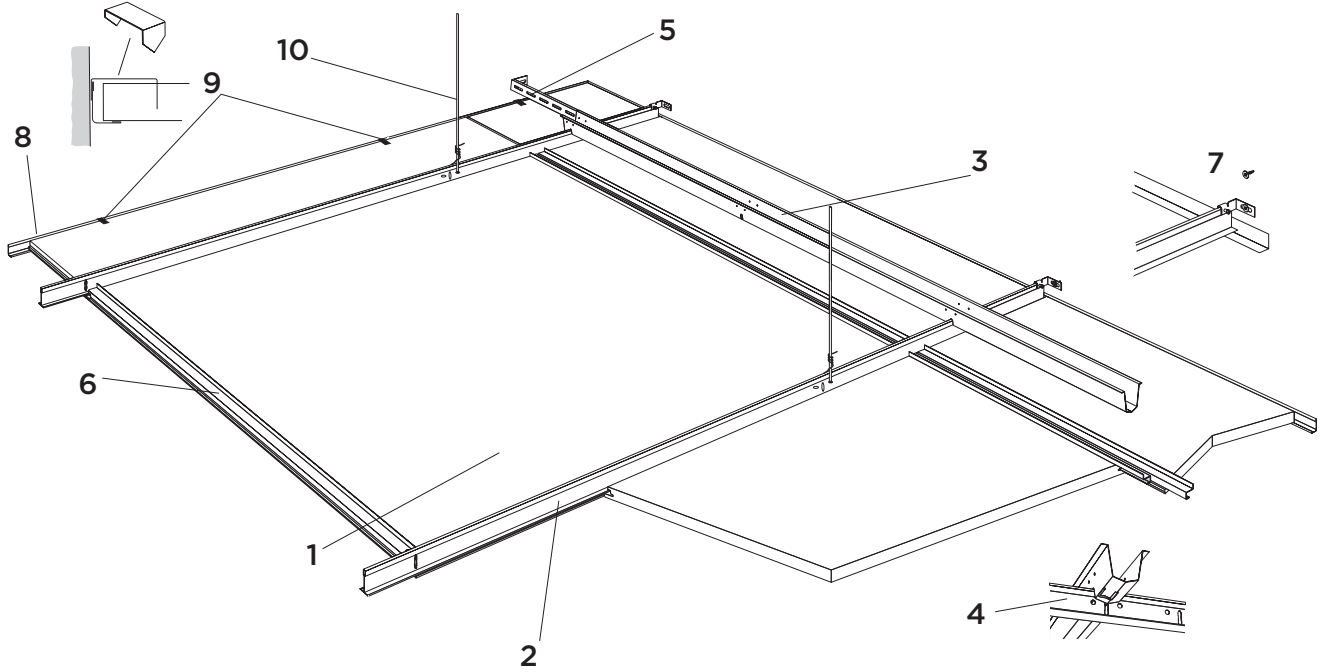


# Ecophon® Focus™ Ds 4x4

## Installation Manual

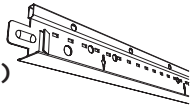
Read the entire manual before installing.

Suited only for seismic categories A, B

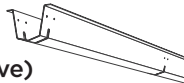


1. Ecophon Focus Ds Panel (4'x4')

2. CTC 15/16" EZ Stab Classic  
Main Runner/HD (EZCS12-12-20)



3. Connect Space Bar 2630 0577  
(fits only CTA main runner above)  
Slotted 6" O.C.



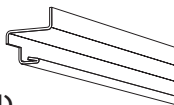
4. Connect Space Bar Winch  
2630 0853



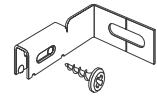
5. Ecophon Connect  
Wall Bracket Space Bar 2630 0525  
(All required screws by others)



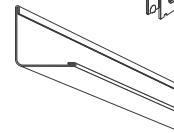
6. Connect Edge Stiffener  
2630 0381  
(REQUIRED - 2 per panel)



7. Connect Wall Bracket T-profile 2630 0824  
(All required screws by others)



8. CTA 7/8" Wall Angle  
(WA14-14)



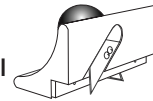
9. Connect Perimeter Tile Clip  
2631 1080



10. 12 Gauge Hanger Wire

### Additional Components:

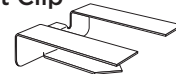
11. Connect DG Cutting Tool  
2630 0991



12. Connect Edge Sealant  
2630 0691



13. Connect DG20 Support Clip  
2630 0547



# Installation for Ecophon® Focus™ Ds for 4x4 Panels

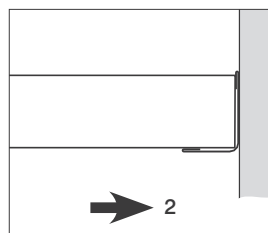
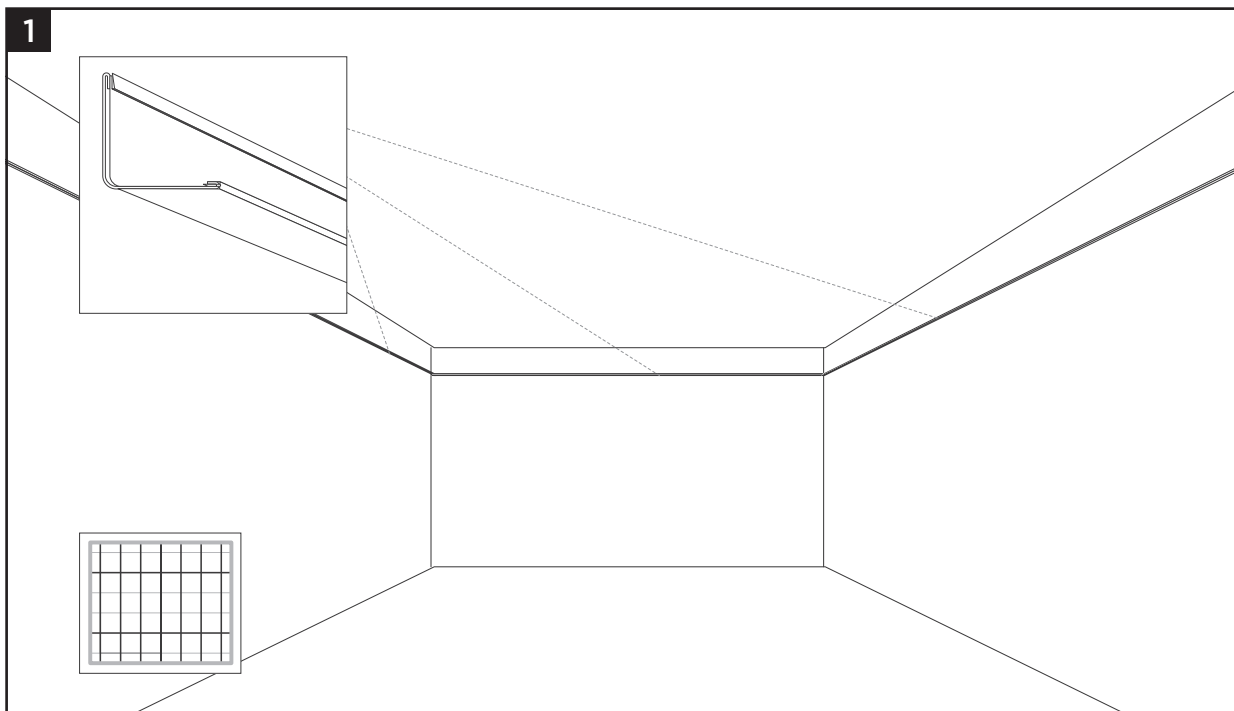
Install in conditions that do not exceed 95% relative humidity and 86-degrees F

**Pre-Installation:** Please read CertainTeed ceiling's Pre-Installation Instructions before you begin this installation and wear clean white gloves when installing the product. Note that the finished surface of Focus Ds Panels is 1/2" below the grid. **Focus Ds is an extremely precise system and the tolerance is near zero. The grid system must be square and level. Focus Ds 4x4 should not be installed on a slope.**

## 1. Installing Wall Angle

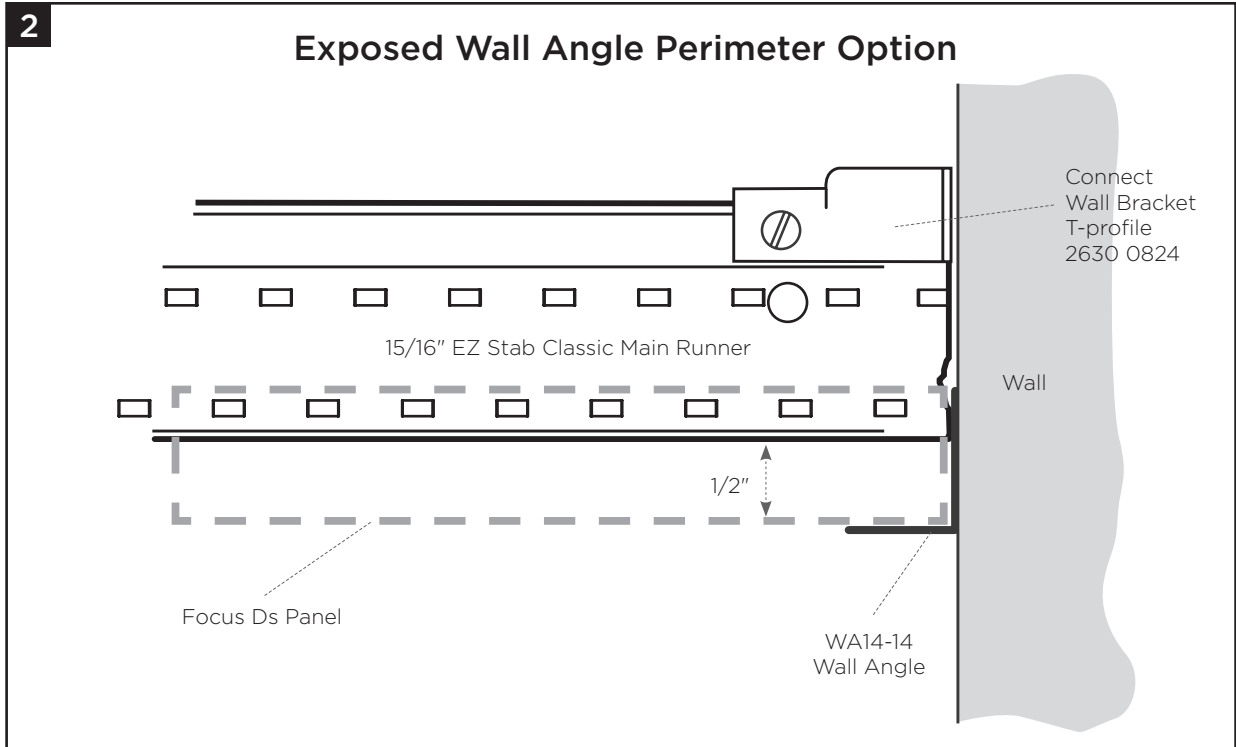
- To install Wall Angle choose a height at least 5½" below joists, existing ceilings, ducts, pipes, or wiring, to ensure clearance and maneuverability required to install the panels (integration with diffusers and light fixtures may dictate a greater depth of system).
- Mark the desired height for the finished surface of the ceiling on all four walls (see Steps 2-3).
- Attach Wall Angle using appropriate fasteners.

## Perimeter Detail



Exposed Wall Angle

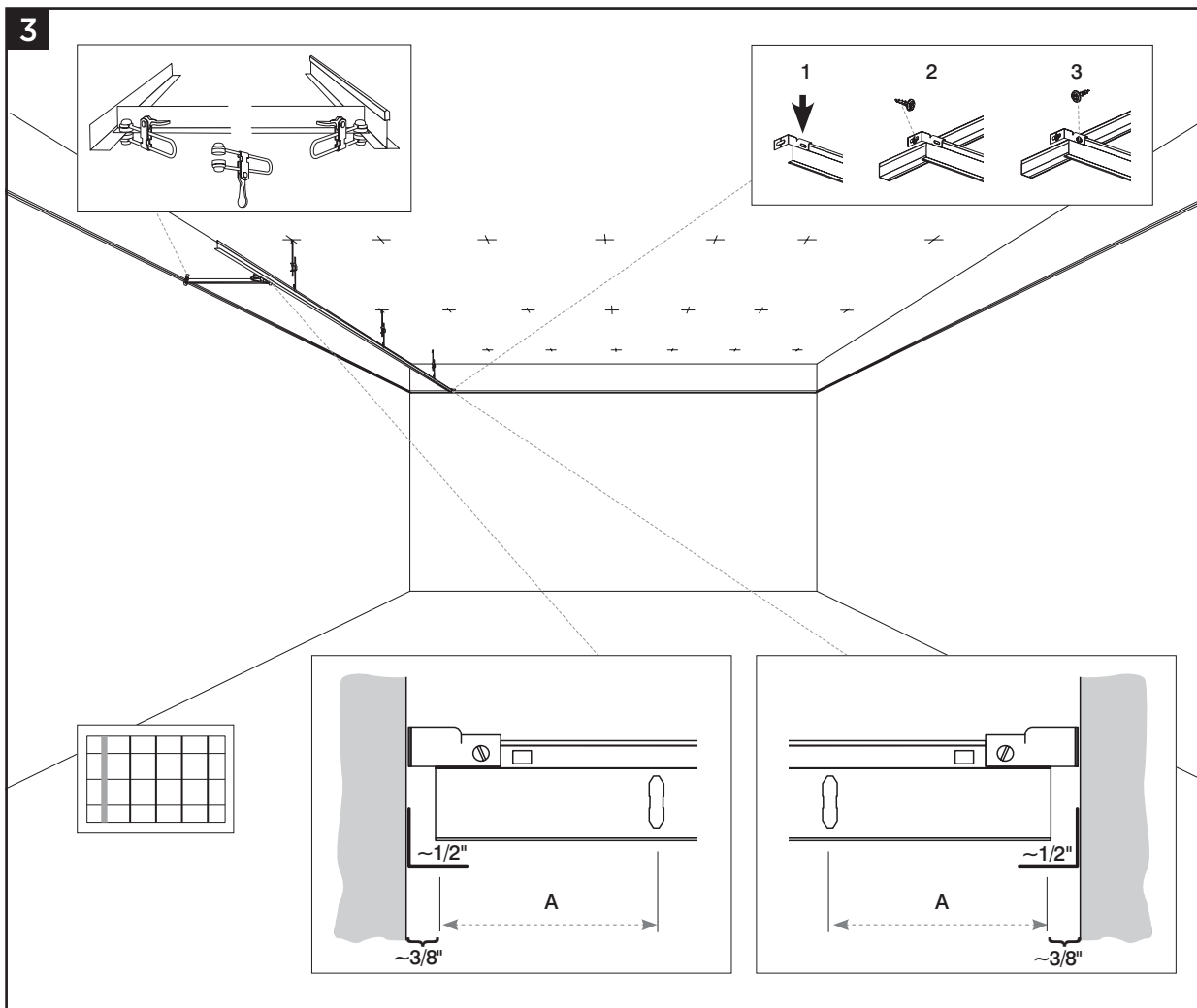
# Installation for Ecophon® Focus™ Ds for 4x4 Panels



# Installation for Ecophon® Focus™ Ds for 4x4 Panels

## 3. Installing Hangers

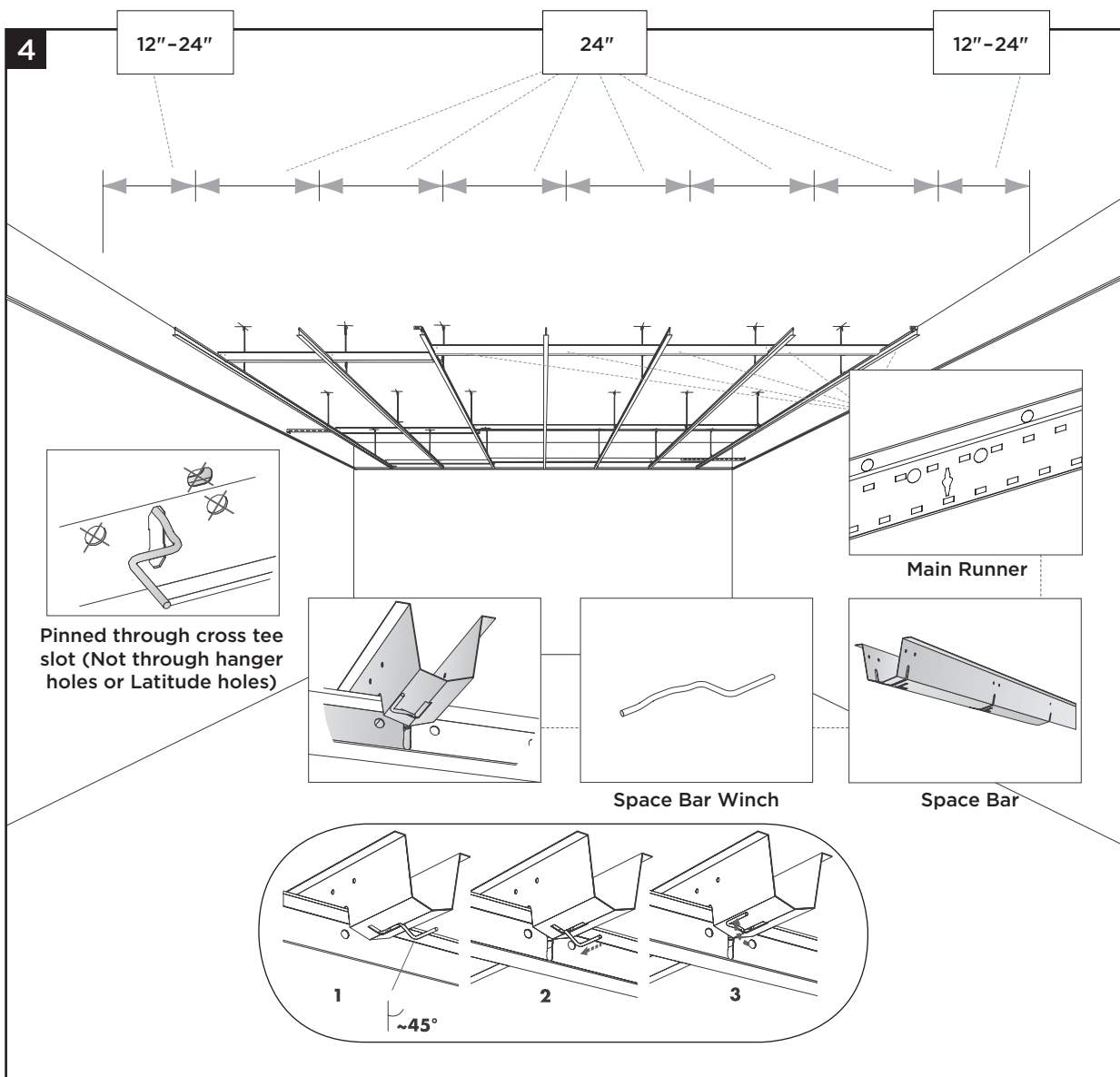
- a. Mark lines for each of the main runners (4' on center).
- b. Pull a string line along the path that the first main runner will take. Attach the line directly below the wall molding.
- c. Hangers are placed every 48" along the main runners, at a max of 24" from the walls.



# Installation for Ecophon® Focus™ Ds for 4x4 Panels

## 4. Install the main runners

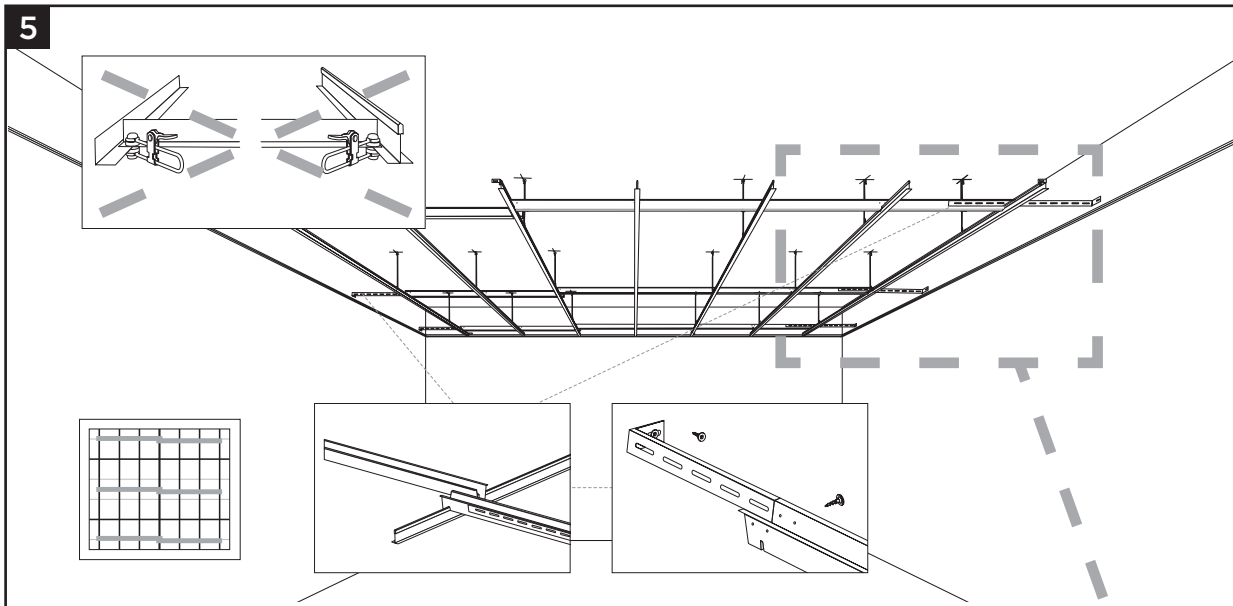
- a. Install the first section of main runner, with cut edge sitting on the wall molding.
- b. Attach the main runner to wire.
- c. Repeat for the next sections of main runner. (Be sure that the cross tee slots on all main runners line up, or the Connect Space Bar will not install. Be sure that all the main runners are consistently level).
- d. Install the Connect Space Bars 48" on center (max. 24" from walls). Space Bars are 8'2" long and should be staggered 6" to the next cross tee slot in order to create continuous main runner spacing (illustrated in Step 5).
- e. Insert Connect Space Bar Winch through each cross tee slot.



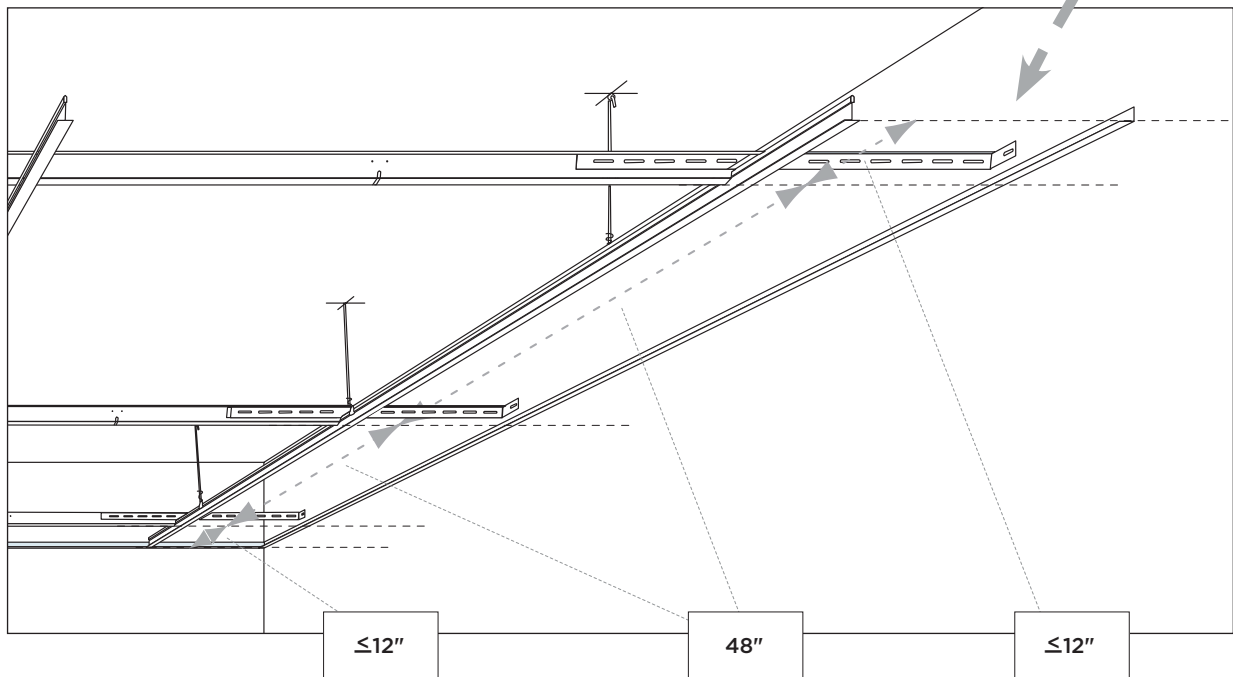
## Installation for Ecophon® Focus™ Ds for 4x4 Panels

### 5. Install Connect Wall Bracket Space Bars

- a. Check to see if the suspension system is square. Make adjustments as needed.
- b. Using screws, attach the Connect Wall Bracket Space Bar to the Connect Space Bar, and then attach the Connect Wall Bracket Space Bar to the Wall.



- c. Every row of Connect Space Bars should have at least one Connect Wall Bracket Space Bar. Connect Wall Bracket Space bars should alternate to opposite ends of each run of Space Bars.

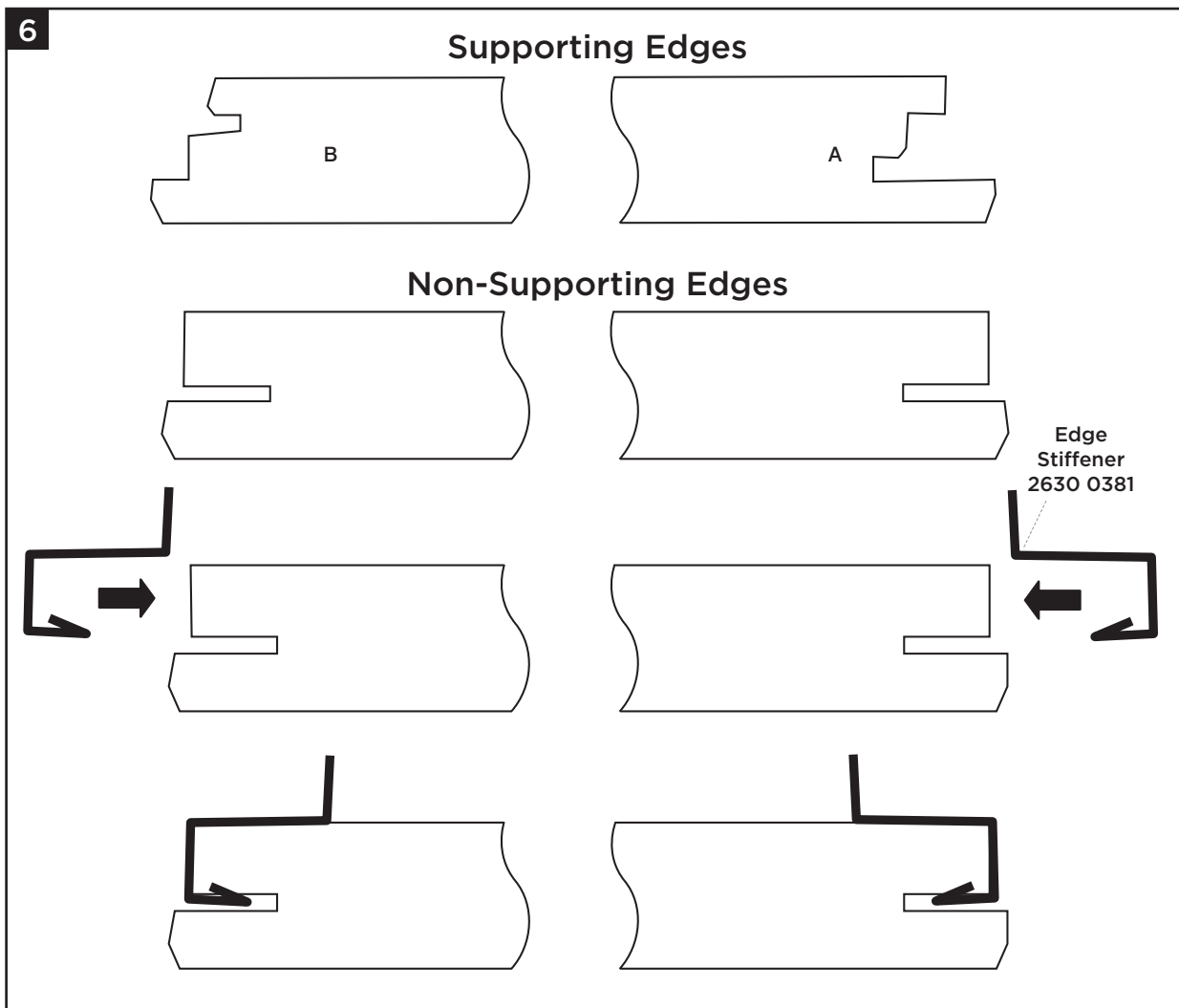


## Installation for Ecophon® Focus™ Ds for 4x4 Panels

### 6. Install Field Panels

(Note: 4'x4' panels require two people to install each panel).

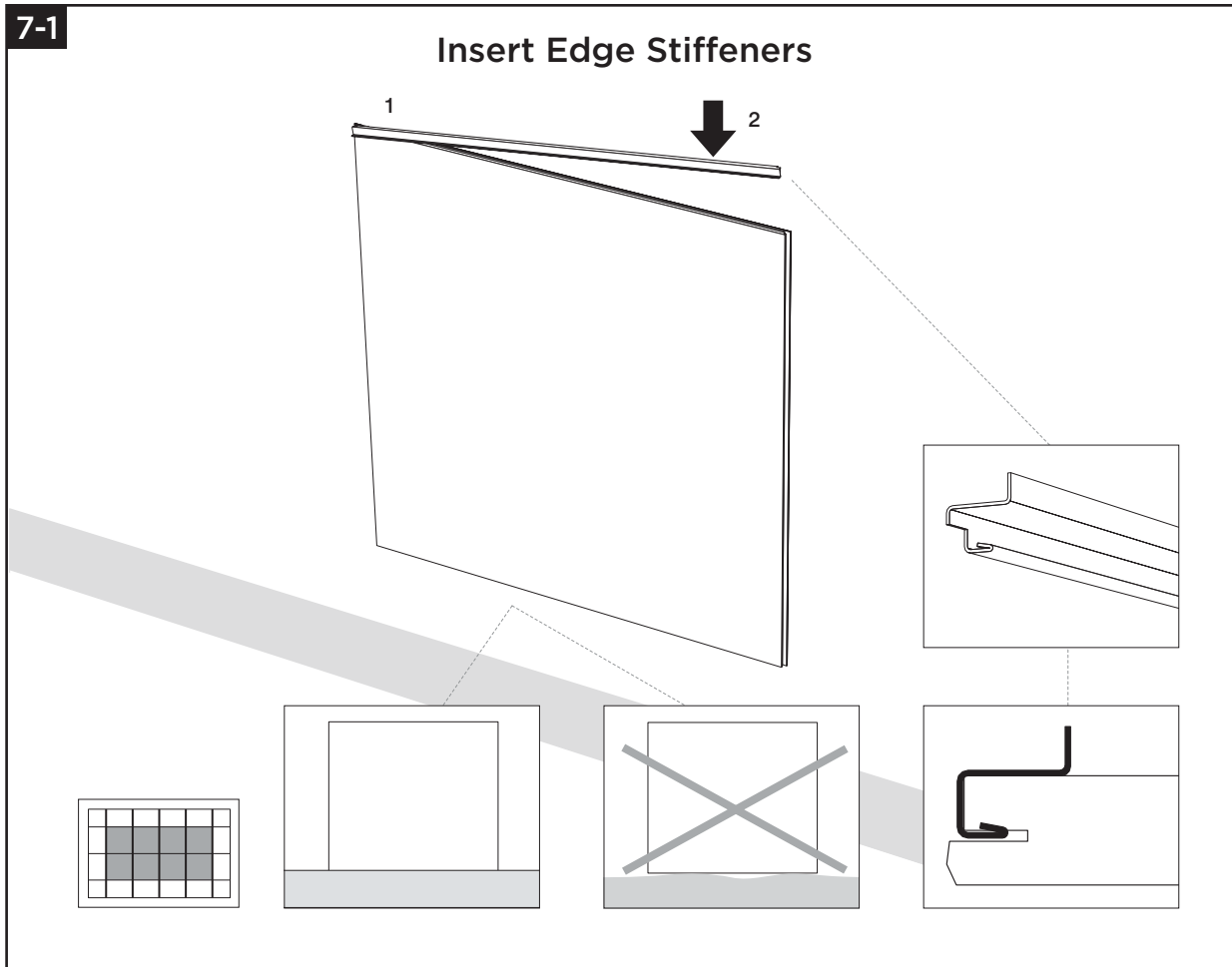
Before you begin installing the panels, you must understand that Focus Ds panels have 2 supporting edges and 2 non-supporting edges. As illustrated below:



Please note that the long sides of the panels are always the supporting sides.

- Install temporary string lines along the path where the panel joints will meet. (Since there are no cross tees as a reference)
- Wear white cotton gloves, so that the dirt and oil from your hands do not get on the panels. (If gloves become soiled, replace them immediately).**
- Start installing panels in the middle of the field.
- For detailed instructions on how to install Focus Ds Panels, follow step 7-1 to 7-5.

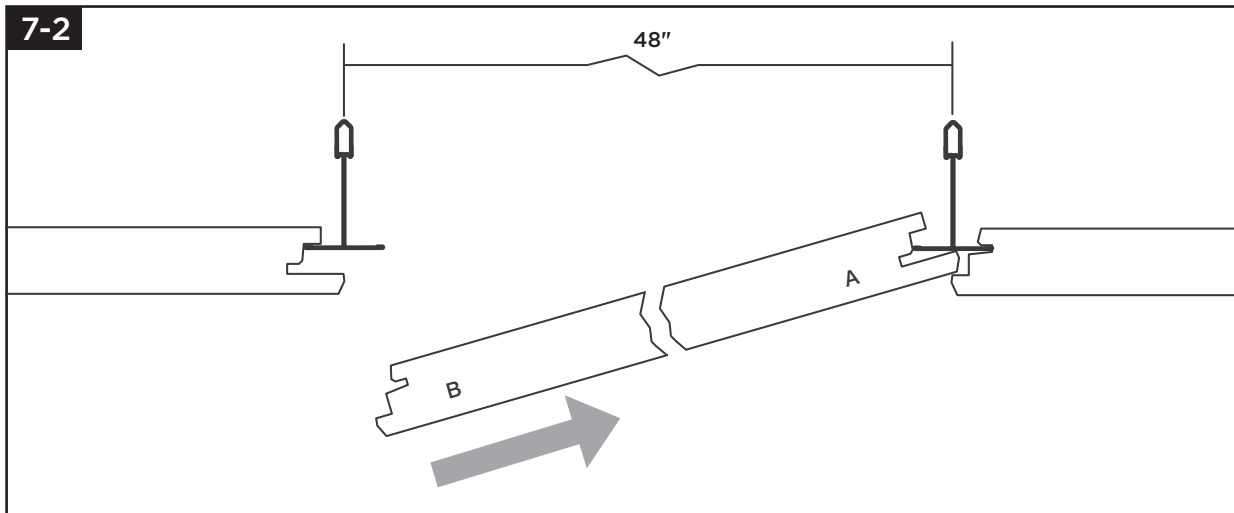
## Installation for Ecophon® Focus™ Ds for 4x4 Panels



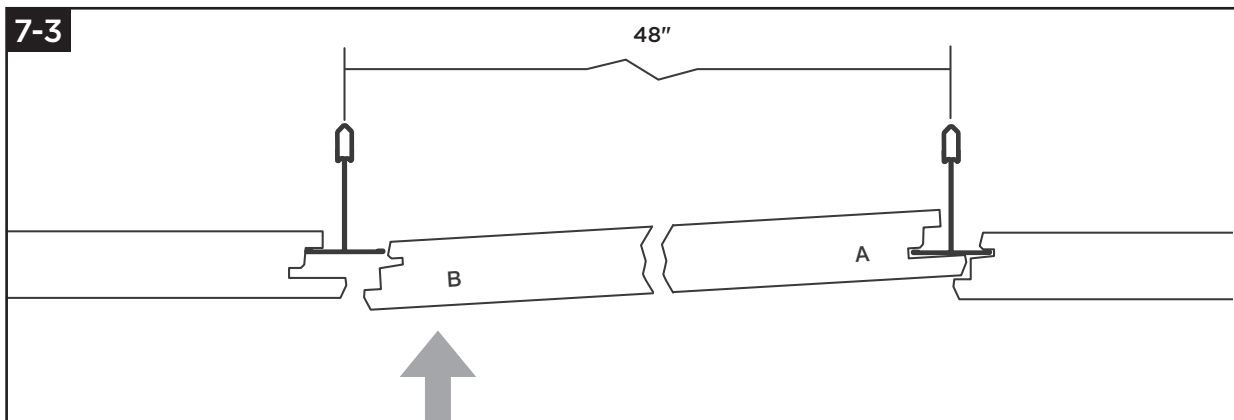
Edge Stiffeners can be installed by one person. First, place some form of protection on a clean, flat floor (i.e. cardboard, etc.). Next, stand the panel upright, and press the Edge Stiffener into the kerf on the non-supporting edge. Finally, turn the panel upside down and repeat the process on the opposite non-supporting edge.



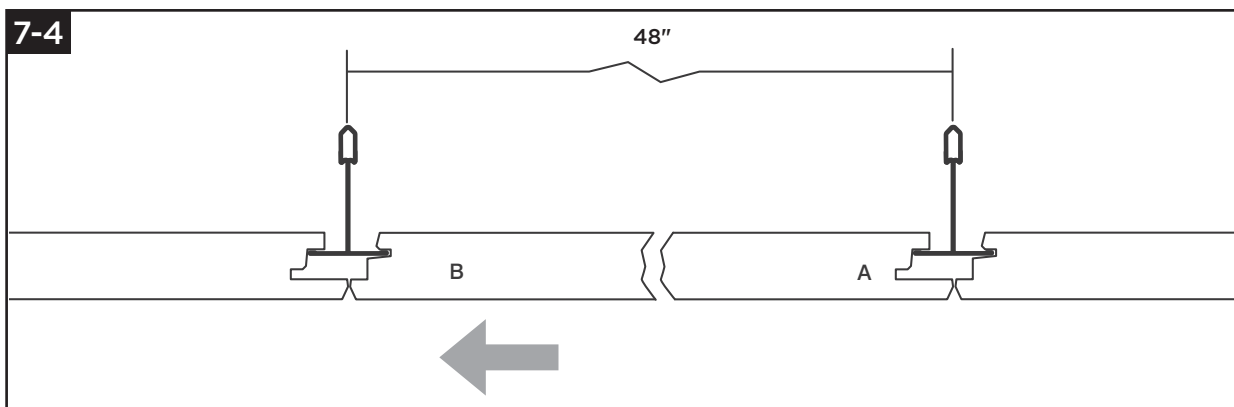
## Installation for Ecophon® Focus™ Ds for 4x4 Panels



**Step 1:** Place the leading edge (A) into the grid as shown, making sure that the wider (deeper) groove is pushed as far as it can go into the flange. (This will allow the room to ensure that the trail edge (B) clears the grid on the opposing side).



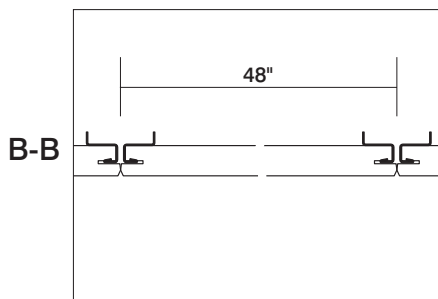
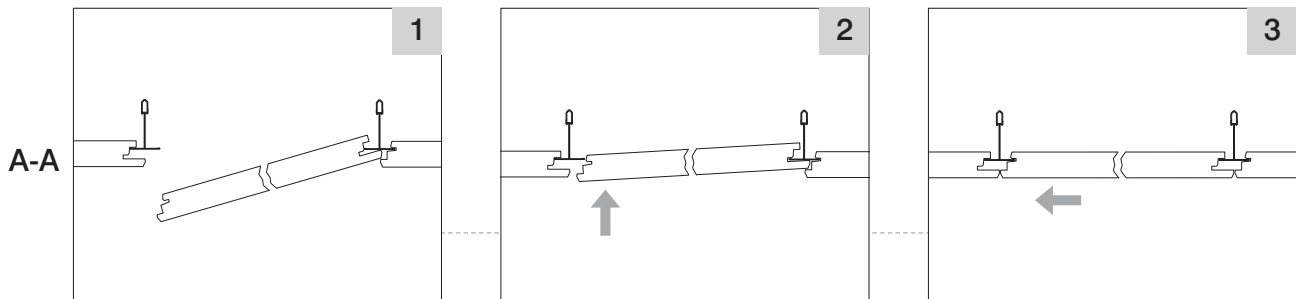
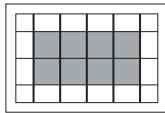
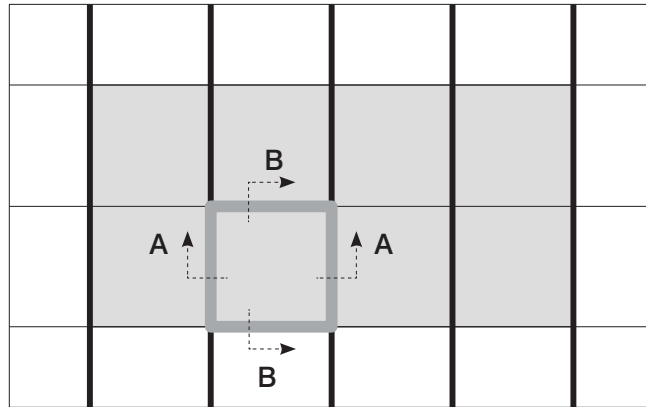
**Step 2:** While keeping light pressure toward edge (A), push edge (B) up to begin to engage the flange on the grid.



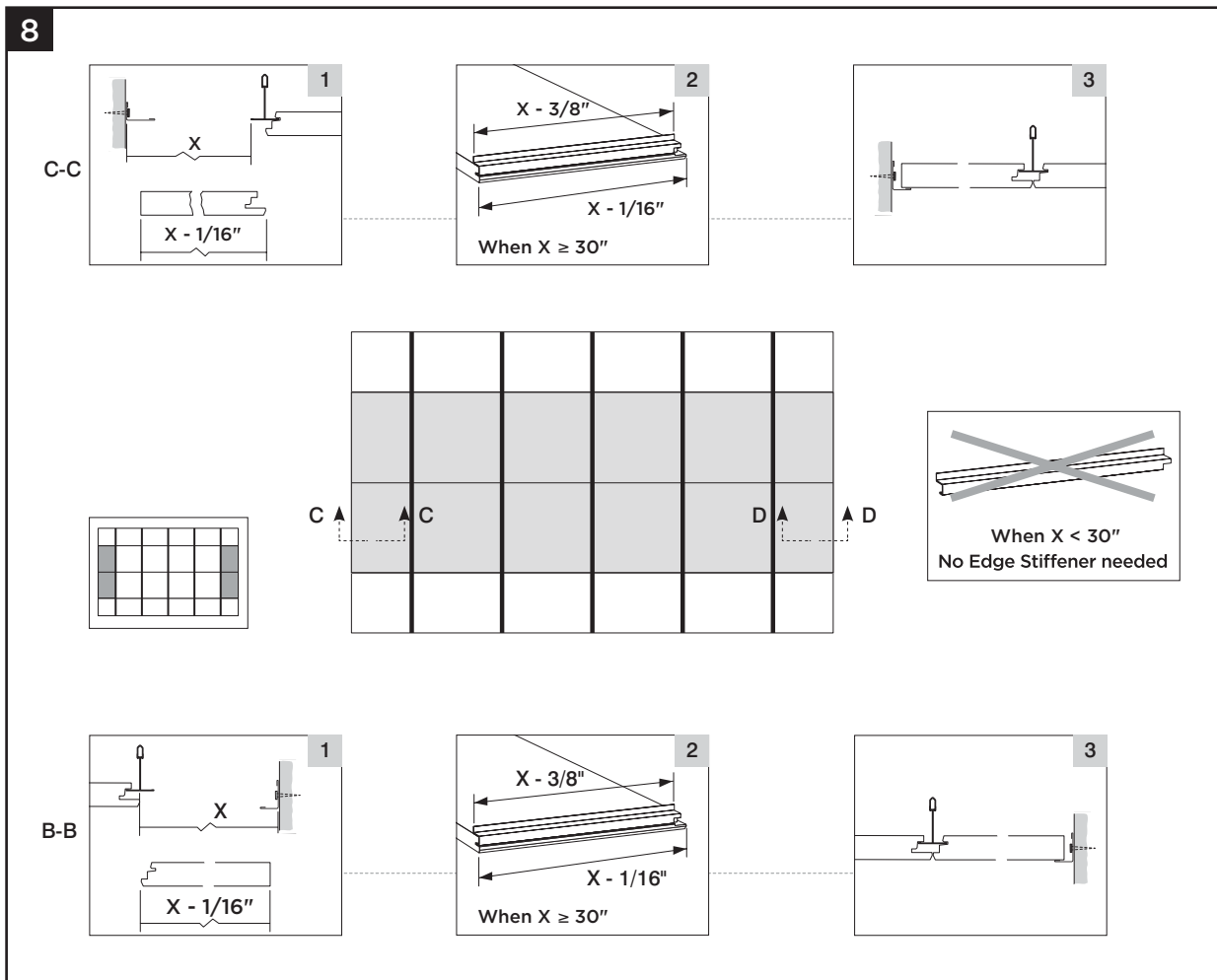
**Step 3:** Slide panel toward edge (B). Edge (A) will move into its finished resting place. To remove the panel, lift up gently on edge (A) and perform the process in reverse.

# Installation for Ecophon® Focus™ Ds for 4x4 Panels

7-5



## Installation for Ecophon® Focus™ Ds for 4x4 Panels



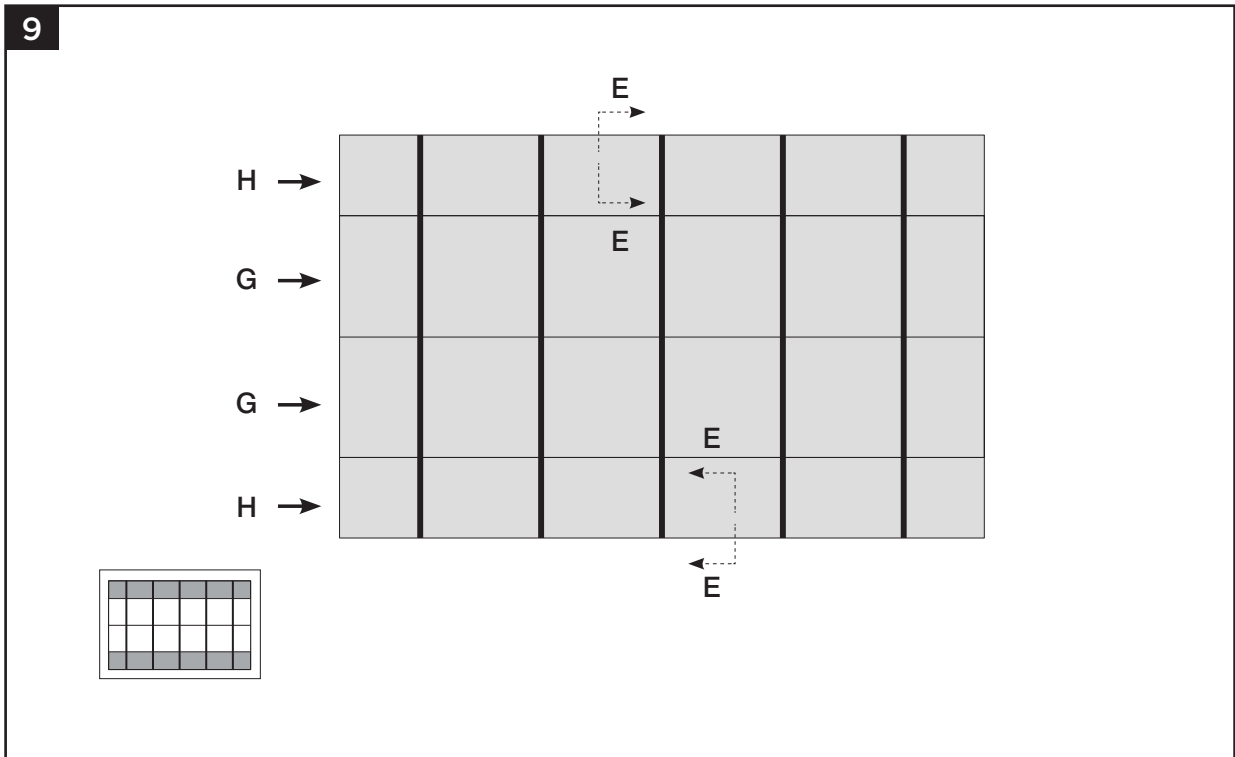
### Notes:

- The 4'x4' Focus Ds System requires that the wall angle is visible around the perimeter of the room.
- Straight cuts should be made using a razor knife and a straight edge.
- Connect Perimeter Tile Clip 2631 1080 can be used between the cut edge of the panel and the wall instead of cutting the panels tight against the wall.

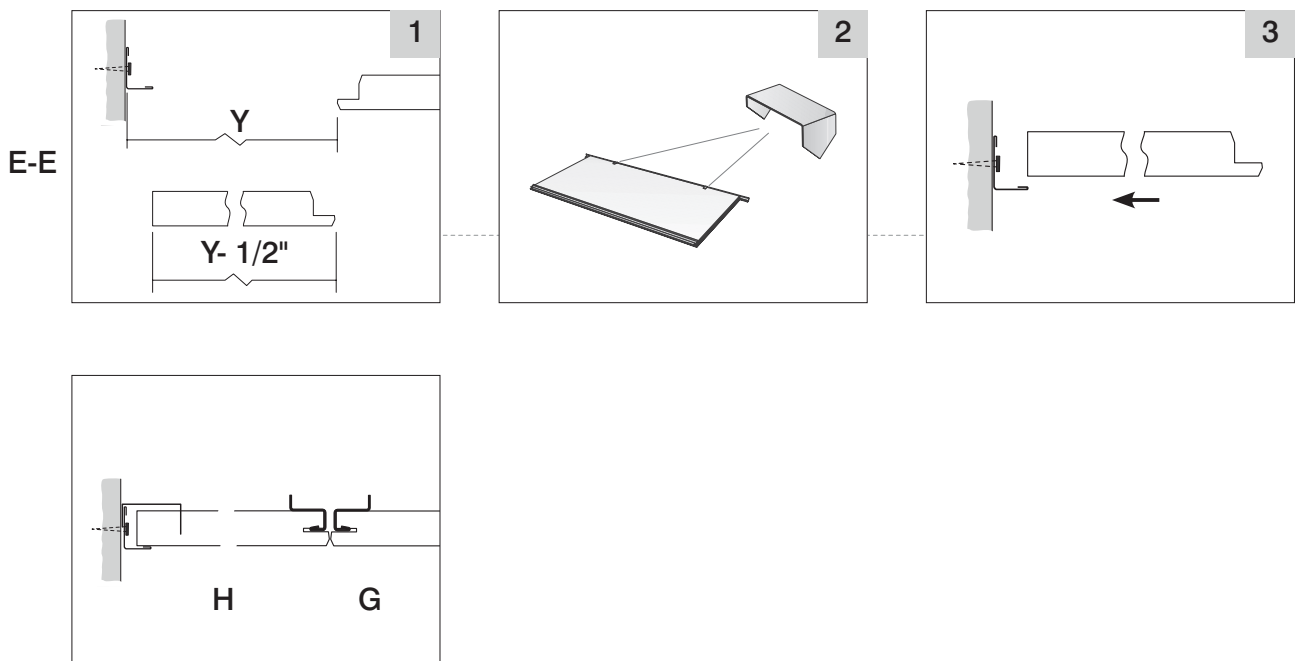
### If needed:

- The Connect Dg Cutting Tool 2630 0991 cuts a  $9/16''$  by  $9/16''$  rabbet. The shim attached to the tool should remain for cuts in  $3/4''$  panels.
- Connect Edge Sealant 2630 0691 is used as required. Avoid applying edge sealant to the surface of the panel.

# Installation for Ecophon® Focus™ Ds for 4x4 Panels

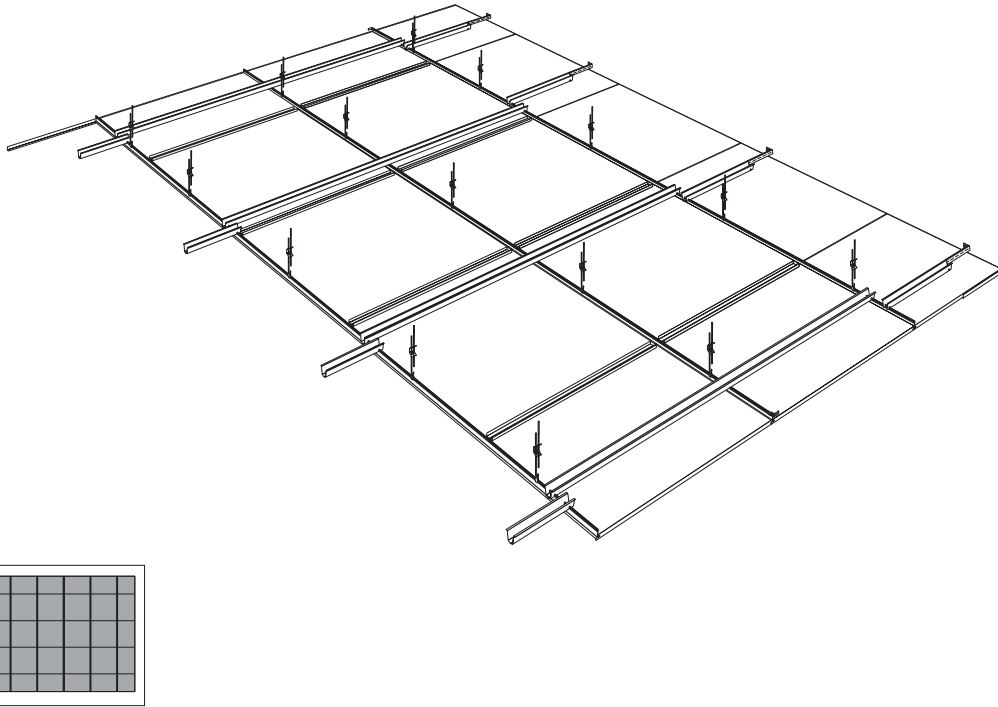


To install panels in row H, panels in row G must be removed. Once the panels in row G are removed, panels in row H are installed and slid into place. Then panels in row G are re-installed.



# Installation for Ecophon® Focus™ Ds for 4x4 Panels

10



## For Product and Installation Questions:

Call 1-800-233-8990 (Monday-Thursday: 7:30 am – 6:30 pm, Friday: 7:30 am – 6:00 pm EST)



### CertainTeed ARCHITECTURAL

METAL • WOOD • FELT • FIBERGLASS & MINERAL FIBER • GYPSUM • SUSPENSION & INTEGRATED SYSTEMS  
20 Moores Road, Malvern, PA 19355 800-233-8990 CertainTeed.com/Architectural