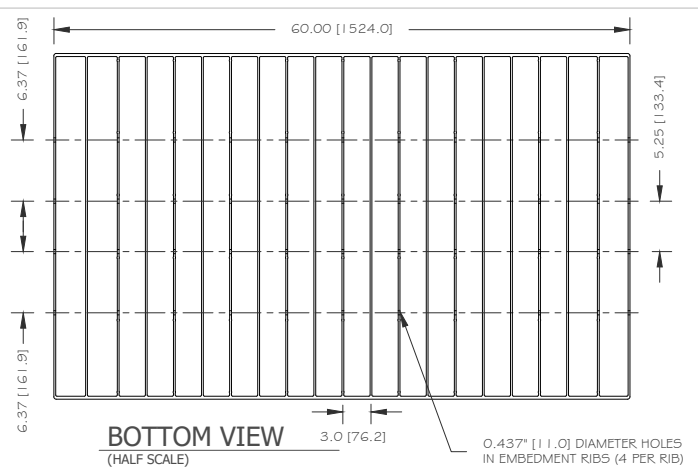
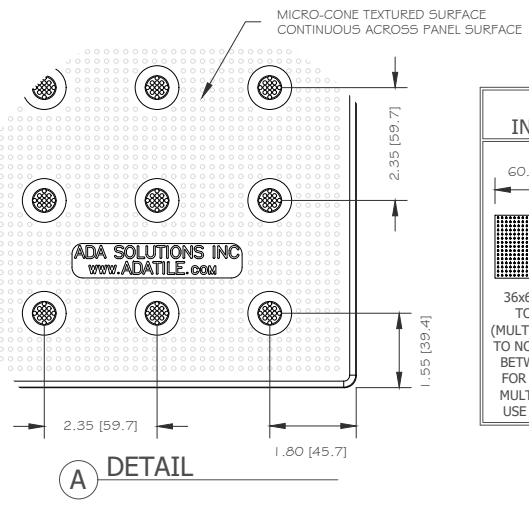


TOP VIEW



BOTTOM VIEW
(HALF SCALE)

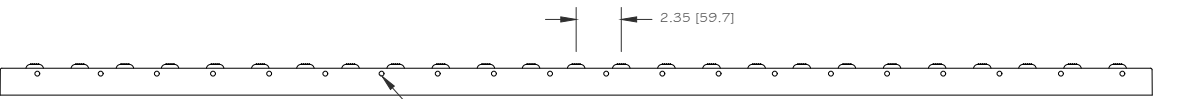
0.437" [11.0] DIAMETER HOLES IN EMBEDMENT RIBS (4 PER RIB)



A DETAIL

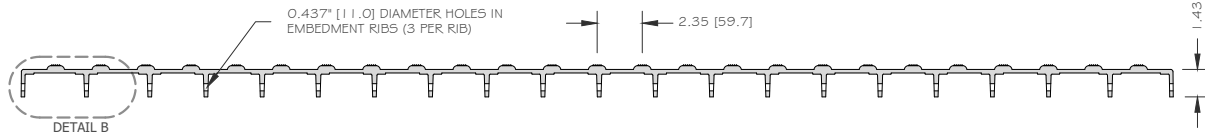
IMPORTANT INSTALLATION NOTE

36x60 CIP PAVERS SHOULD NOT BE INSTALLED IN SERIES (MULTIPLE ADJOINING PANELS) DUE TO NONCOMPLIANT DOME SPACING BETWEEN CONSECUTIVE PANELS. FOR INSTALLATIONS REQUIRING MULTIPLE CONSECUTIVE PANELS, USE 36x48 CIP PAVER PRODUCT.



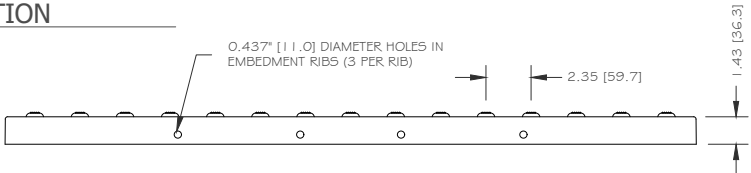
AA SIDE VIEW

0.25" [6.35] DIAMETER VENT HOLES CENTERED BETWEEN EMBEDMENT RIBS TO ALLOW AIR TO ESCAPE FROM CAVITIES DURING INSTALLATION INTO UNCURED CONCRETE.

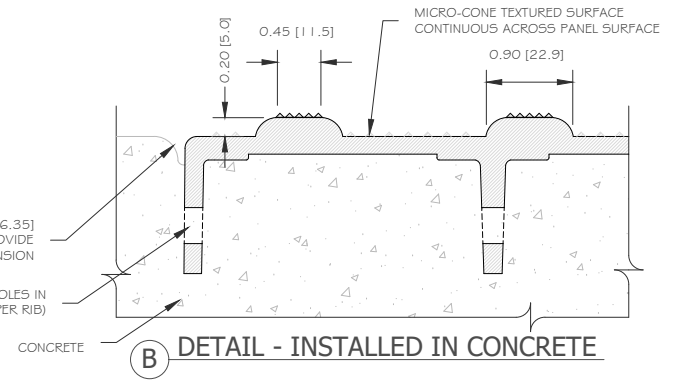


DETAIL B

CC SECTION



BB END VIEW



B DETAIL - INSTALLED IN CONCRETE

DETECTABLE WARNING SURFACE PANEL
Cast-In-Place Paver Panel 36" x 60"
 PART SIZE: 36" (914.4 MM) X 60" (1,524 MM)
 2.35" (59.69 MM) X 2.35" (59.69 MM) IN-LINE TRUNCATED DOME SPACING

DIVISION TACTILE WALKING SURFACE INDICATORS		WEBSITE ADATILE.COM
MATERIAL FIBERGLASS REINFORCED POLYMER COMPOSITE SMC		PHONE 1-800-372-0519
DRAWING NUMBER ADA-PAVER-3660	DATE 2023-08-17	DRAWING UNITS INCHES [MM]
		EMAIL INFO@ADATILE.COM

