

# Hanover Elevator Pedestal



A SIKA COMPANY

## GENERAL DESCRIPTION

The Hanover® Elevator™ adjustable pedestal system consists of a series of threaded base and top pedestal units composed of high density polypropylene, which can be combined with a threaded Coupler also of high density polypropylene. The top pedestal units have integral 1/8 inch spacing tabs and inset rubber pads.

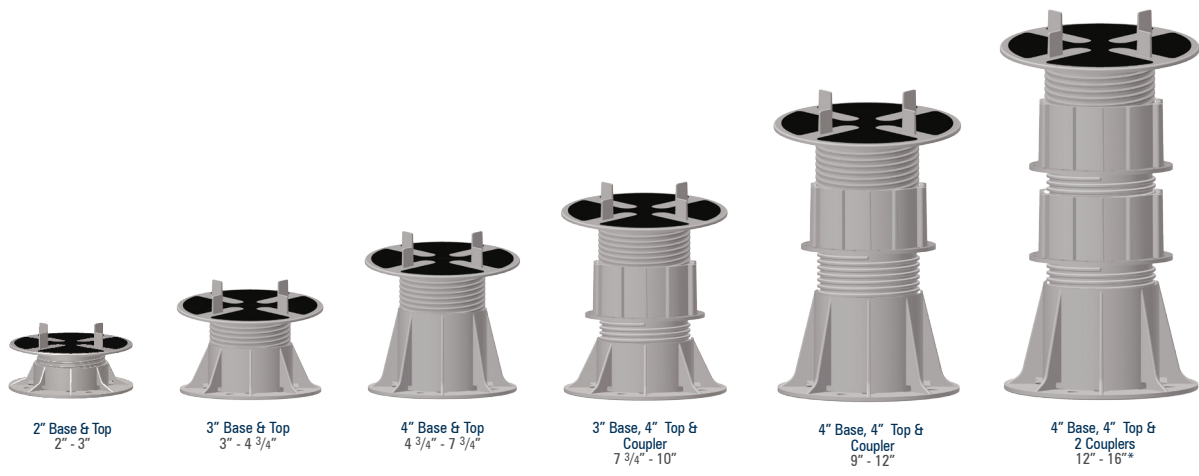
## BASIC USE

The Elevator adjustable pedestal system is designed for use with Hydrotech supplied Hanover Architectural Pavers to provide a loose-laid, open joint paver installation. Combinations of Elevator pedestals and Couplers can provide elevation of the pavers off the substrate from 2 to 16 inches, to provide adequate space for utilities to run beneath the paver surface or to make up for differences in height between the structural deck and the finished elevation.

Minor leveling and height adjustments can be accomplished with Leveling Shims. Slope adjustments can be made with Hanover's Compensator® system.

## TECHNICAL DATA

	Diameter (inches)	Bearing Area (sq. inches)	Load Capacity (lb) (safety factor=2)	Vertical Height Adjustment (inches)
Base Units	7 3/8	42	1,000	see below
Top Plates	7 3/8	42	1,000	see below
Coupler	-	-	1,000	2 1/2 - 4



**LEED® INFORMATION**

	Credit 4	Credit 5
Recycled Content (% by weight)	15 (pi)	
Manufacture Location		Hanover, PA
Extraction/Harvesting Location		Hanover, PA
VOC Content (g/L)		0

This information is intended only for general conceptual purposes. It is based on data and knowledge considered to be true and correct. It is offered for the user's consideration, investigation and verification and is not intended to substitute for the advice provided by appropriate professionals. Hydrotech assumes no liability for the use of this information. The determination of the suitability and applicability of this information is the sole responsibility of the user.