

Slope Compensation



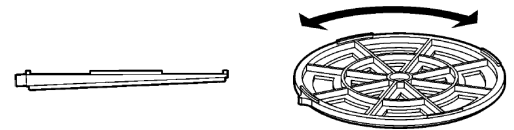
A SIKA COMPANY

GENERAL DESCRIPTION

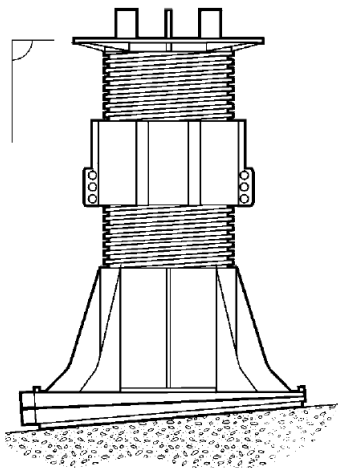
The Hydrotech slope compensation disk, the Base Leveler Disk (HLD4) is a round, tapered disk made of high density polypropylene. Each HLD4 disk is tapered to 1/4 inch per foot slope.

BASIC USE

The Base Leveler Disks (HLD4) are designed for use with Hydrotech Fixed Height (HPS8 and 9) and Adjustable Pedestals (HP) with Hydrotech’s Architectural Pavers to provide a level loose-laid, open joint paver installation over a sloped substrate.



One HLD4 Base Leveler Disk compensates for up to 1/4 inch per foot slope. Stacking two or more HLD4 disks together can compensate for slope up to 1 inch per foot or more. HLD4 Base Leveler Disks are only placed **BENEATH** the paver pedestals.



2 HLD4s placed under Hydrotech Adjustable Pedestal (HP) @ max. setting of 1/2 inch per foot slope

LEED® INFORMATION

	Credit 4	Credit 5
Recycled Content (% by weight)	20 pi	
Manufacture Location		Denver, CO
Extraction/Harvesting Location		Whitmore Lake, MI
VOC Content (g/L)		0

This information is intended only for general conceptual purposes. It is based on data and knowledge considered to be true and correct. It is offered for the user’s consideration, investigation and verification and is not intended to substitute for the advice provided by appropriate professionals. Hydrotech assumes no liability for the use of this information. The determination of the suitability and applicability of this information is the sole responsibility of the user.