

Hydrotech[®] Hanover Elevator Pedestal



BUILDING TRUST



formerly known as Hanover Elevator Pedestal

GENERAL DESCRIPTION

The Hanover[®] Elevator[™] adjustable pedestal system consists of a series of threaded base and top pedestal units composed of high density polypropylene, which can be combined with a threaded Coupler also of high density polypropylene. The top pedestal units have integral 1/8 inch spacing tabs and inset rubber pads.

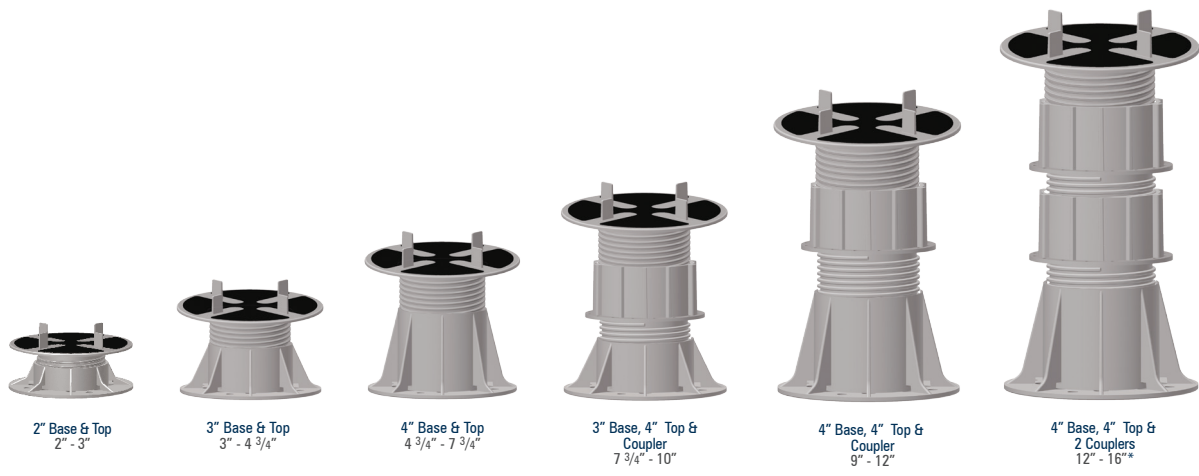
BASIC USE

The Elevator adjustable pedestal system is designed for use with Hydrotech supplied Hanover Architectural Pavers to provide a loose-laid, open joint paver installation. Combinations of Elevator pedestals and Couplers can provide elevation of the pavers off the substrate from 2 to 16 inches, to provide adequate space for utilities to run beneath the paver surface or to make up for differences in height between the structural deck and the finished elevation.

Minor leveling and height adjustments can be accomplished with Leveling Shims. Slope adjustments can be made with Hanover's Compensator[®] system.

TECHNICAL DATA

	Diameter (inches)	Bearing Area (sq. inches)	Load Capacity (lb) (safety factor=2)	Vertical Height Adjustment (inches)
Base Units	7 3/8	42	1,000	see below
Top Plates	7 3/8	42	1,000	see below
Coupler	-	-	1,000	2 1/2 - 4



LEED® INFORMATION

	Credit 4	Credit 5
Recycled Content (% by weight)	15 (pi)	
Manufacture Location		Hanover, PA
Extraction/Harvesting Location		Hanover, PA
VOC Content (g/L)		0

Prior to each use of any product of Sika Corporation, its subsidiaries or affiliates ("SIKA"), the user must always read and follow the warnings and instructions on the product's most current product label, Product Data Sheet and Safety Data Sheet which are available at usa.sika.com or by calling SIKA's Technical Service Department at 1-800-933-7452. Nothing contained in any SIKA literature or materials relieves the user of the obligation to read and follow the warnings and instructions for each SIKA product as set forth in the current product label, Product Data Sheet and Safety Data Sheet prior to use of the SIKA product.

SIKA warrants this product for one year from date of installation to be free from manufacturing defects and to meet the technical properties on the current Product Data Sheet if used as directed within the product's shelf life. User determines suitability of product for intended use and assumes all risks. User's and/or buyer's sole remedy shall be limited to the purchase price or replacement of this product exclusive of any labor costs. **NO OTHER WARRANTIES EXPRESS OR IMPLIED SHALL APPLY INCLUDING ANY WARRANTY OF MERCHANTABILITY OR FITNESS FOR A PARTICULAR PURPOSE. SIKA SHALL NOT BE LIABLE UNDER ANY LEGAL THEORY FOR SPECIAL OR CONSEQUENTIAL DAMAGES. SIKA SHALL NOT BE RESPONSIBLE FOR THE USE OF THIS PRODUCT IN A MANNER TO INFRINGE ON ANY PATENT OR ANY OTHER INTELLECTUAL PROPERTY RIGHTS HELD BY OTHERS.**

Sale of SIKA products are subject to the Terms and Conditions of Sale which are available at <https://usa.sika.com/en/group/SikaCorp/termsandconditions.html> or by calling 1-800-933-7452.