

Hydrotech[®] Slope Compensation

formerly known as Slope Compensation



BUILDING TRUST

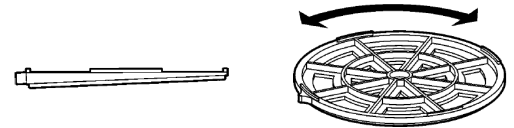


GENERAL DESCRIPTION

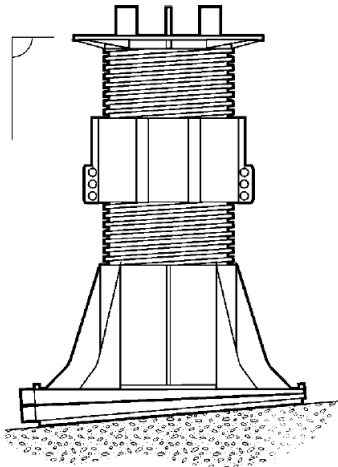
The Hydrotech slope compensation disk, the Base Leveler Disk (HLD4) is a round, tapered disk made of high density polypropylene. Each HLD4 disk is tapered to 1/4 inch per foot slope.

BASIC USE

The Base Leveler Disks (HLD4) are designed for use with Hydrotech Fixed Height (HPS8 and 9) and Adjustable Pedestals (HP) with Hydrotech's Architectural Pavers to provide a level loose-laid, open joint paver installation over a sloped substrate.



One HLD4 Base Leveler Disk compensates for up to 1/4 inch per foot slope. Stacking two or more HLD4 disks together can compensate for slope up to 1 inch per foot or more. HLD4 Base Leveler Disks are only placed **BENEATH** the paver pedestals.



2 HLD4s placed under Hydrotech Adjustable Pedestal (HP) @ max. setting of 1/2 inch per foot slope

LEED[®] INFORMATION

	Credit 4	Credit 5
Recycled Content (% by weight)	20 pi	
Manufacture Location		Denver, CO
Extraction/Harvesting Location		Whitmore Lake, MI
VOC Content (g/L)		0

Prior to each use of any product of Sika Corporation, its subsidiaries or affiliates ("SIKA"), the user must always read and follow the warnings and instructions on the product's most current product label, Product Data Sheet and Safety Data Sheet which are available at usa.sika.com or by calling SIKA's Technical Service Department at 1-800-933-7452. Nothing contained in any SIKA literature or materials relieves the user of the obligation to read and follow the warnings and instructions for each SIKA product as set forth in the current product label, Product Data Sheet and Safety Data Sheet prior to use of the SIKA product.

SIKA warrants this product for one year from date of installation to be free from manufacturing defects and to meet the technical properties on the current Product Data Sheet if used as directed within the product's shelf life. User determines suitability of product for intended use and assumes all risks. User's and/or buyer's sole remedy shall be limited to the purchase price or replacement of this product exclusive of any labor costs. **NO OTHER WARRANTIES EXPRESS OR IMPLIED SHALL APPLY INCLUDING ANY WARRANTY OF MERCHANTABILITY OR FITNESS FOR A PARTICULAR PURPOSE. SIKA SHALL NOT BE LIABLE UNDER ANY LEGAL THEORY FOR SPECIAL OR CONSEQUENTIAL DAMAGES. SIKA SHALL NOT BE RESPONSIBLE FOR THE USE OF THIS PRODUCT IN A MANNER TO INFRINGE ON ANY PATENT OR ANY OTHER INTELLECTUAL PROPERTY RIGHTS HELD BY OTHERS.**

Sale of SIKA products are subject to the Terms and Conditions of Sale which are available at <https://usa.sika.com/en/group/SikaCorp/termsandconditions.html> or by calling 1-800-933-7452.

Sika Corporation • Roofing 100 Dan Road, Canton, MA 02021 USA • (888) 509-3350 • 12/24