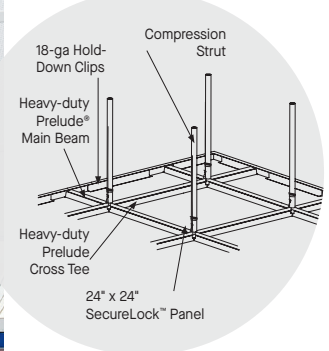


# METALWORKS™ SecureLock™

Lay-in  
smooth texture



CAD/Revit® drawings at:  
[armstrongceilings.com/cadrevit](http://armstrongceilings.com/cadrevit)



MetalWorks™ SecureLock™ 24" x 24" panel with P4 perforation in White

Tamper-resistant ceiling system from 18-gauge galvanized steel panels.

## KEY SELECTION ATTRIBUTES

### SecureLock™ Lay-in

- Point-load tested to withstand up to 850 lbs, and a minimum of 430 lbs
- Concealed locking
- Installs on a heavy-duty Prelude® XL® suspension system
- Protection against contraband concealment
- 18-gauge electrogalvanized steel

## TYPICAL APPLICATIONS

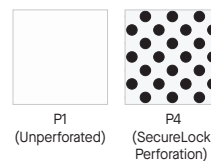
- Correctional facilities
- Judicial facilities/courthouses
- Non-accessible areas
- Healthcare - psychiatric and juvenile wards
- Transportation
- Maximum security areas

**COLORS** Due to printing limitations, shade may vary from actual product.

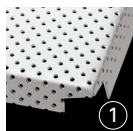


\* Premium finish options

**PERFORATION OPTIONS** (1:2 scale shown)



## DETAILS



1. MetalWorks™ SecureLock™ Perforated

# METALWORKS™ SecureLock™

Lay-in  
smooth texture

**LEED® WELL™ LBC**

UP TO **31% RECYCLED CONTENT**

For LEED contribution contact TechLine

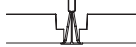
- energy management
- construction waste mgmt
- regional materials
- design for flexibility
- EPD
- recyclable/producer resp.
- biobased materials
- recycled content
- sourcing of raw materials
- material ingredient reporting
- low emitting materials
- lighting quality
- acoustics

LOCATION DEPENDENT

WITH INFILL PANEL

**VISUAL SELECTION** Contact ASOrder@armstrongceilings.com for custom options.

| Item No. ♦                               | Dimensions (Inches) W x L | Perforations |
|--|---------------------------|--------------|
| METALWORKS™ SecureLock™<br>15/16" Lay-in | 24" x 24"                 | P1, P4       |



♦ Add 2-letter perforation suffix to item number when specifying or ordering (e.g., 5488 P1 WH).  
NOTE: 24" x 48" custom panels are available by contacting TechLine at 1 877 276-7876.

## PERFORMANCE

Dots represent high level of performance.

| Fire Performance | Light Reflect (White only) | DURABILITY |       |        |      |
|------------------|----------------------------|------------|-------|--------|------|
|                  |                            | Wash       | Scrub | Impact | Soil |
| Class A          | 0.75 (P1)                  | •          | •     | •      | •    |

## ACOUSTICAL INFORMATION

| Perforation                  | NRC with acoustical fleece | NRC with 1" fiberglass infill † |
|------------------------------|----------------------------|---------------------------------|
| P1<br>Unperforated           | N/A                        | N/A                             |
| P4<br>SecureLock Perforation | 0.10                       | 0.80                            |

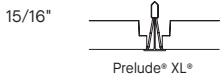
† Maximum NRC achieved with acoustical infill (Item 8200T10).

For infill panel information, visit [armstrongceilings.com/mwaccessories](http://armstrongceilings.com/mwaccessories)

## ACCESSORIES

| Item No. | Description                                      | Dimensions (Inches) | Pieces/Carton |
|----------|--|---------------------|---------------|
| 5396     | 24" x 24" Hold-Down Border Clips – 18-gauge      | 22-1/8"             | Bulk          |
| 5594     | Compression Strut                                | 60"                 | Bulk          |
| 5596     | Security Screws                                  | –                   | 100           |
| 5597     | Security Screwdriver (to be used with item 5596) | –                   | 1             |
| 5598     | Tek Screws                                       | –                   | 100           |
| 5650WH   | C Channel – 18-gauge                             | 120"                | Bulk          |
| 5398     | Access Door – 18-gauge                           | 24 x 24 x 1"        | Bulk          |
| 5965P1WH | 24" x 24" Exit Panel Unperforated                | 24 x 24 x 1"        | 8             |
| 5965P4WH | 24" x 24" Exit Panel Perforated                  | 24 x 24 x 1"        | 8             |
| 8200T10  | 1" Fiberglass Infill Panel                       | 24 x 24 x 1"        | 12            |

## SUSPENSION SYSTEMS



## PHYSICAL DATA

**Material**  
Electrogalvanized Steel – thickness 18-gauge

**Surface Finish**  
Factory-applied powder-coated finish (post-coated)

**Fire Performance**  
Class A: ASTM E84 and CAN/ULC S102. Flame Spread Index 25 or less. Smoke Developed Index 50 or less.

Unperforated – Type XX, Pattern G  
Perforated – Type XX, Pattern C

**Design/Installation Considerations**  
Panels installed in correctional facilities are recommended for supervised areas. For detailed impact and point-load test results, contact TechLine at 1 877 276-7876.

**Warranty**  
Details at [armstrongceilings.com/warranty](http://armstrongceilings.com/warranty)

**Weight; Square Feet/Carton**  
5488P1WH – 2.24 lbs/SF; 32 SF/ctn  
5488P4WH – 1.97 lbs/SF; 32 SF/ctn

