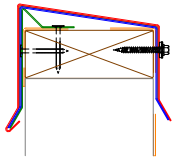


ATAS International, Inc.

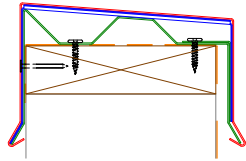
Sustainable Building Envelope Technology

COPING

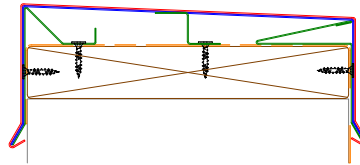
ACCESSORY SUMMARY SHEET



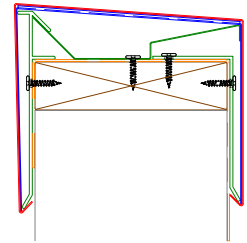
Continuous Cleat Coping



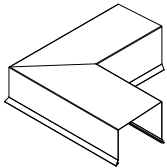
Rapid-Lok Coping



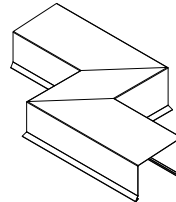
Rapid-Lok SL Coping



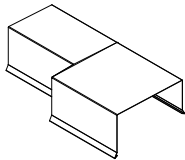
Rapid-Lok Ultra Coping



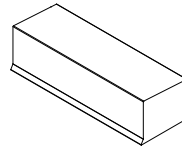
Inside and Outside Miters



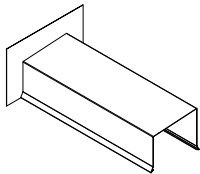
Left and Right Z Miters



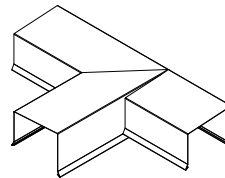
Left and Right Transitions



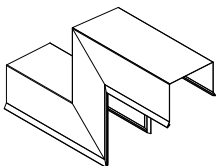
Left and Right End Closures



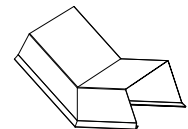
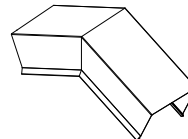
Left and Right End Terms



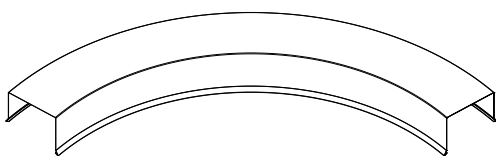
Left and Right Inside/Outside Tee Miters



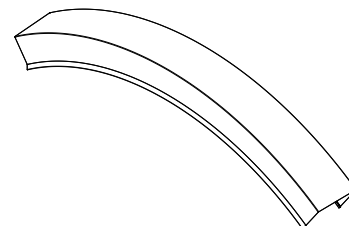
Left and Right Step Miter



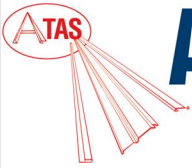
Peak and Valley Miters



Concave and Convex Radius Coping



Concave and Convex Vaulted Coping



Coping System

- Continuous Cleat Coping
- Rapid-Lok Coping
- Rapid-Lok SL Coping
- Rapid-Lok Ultra Coping

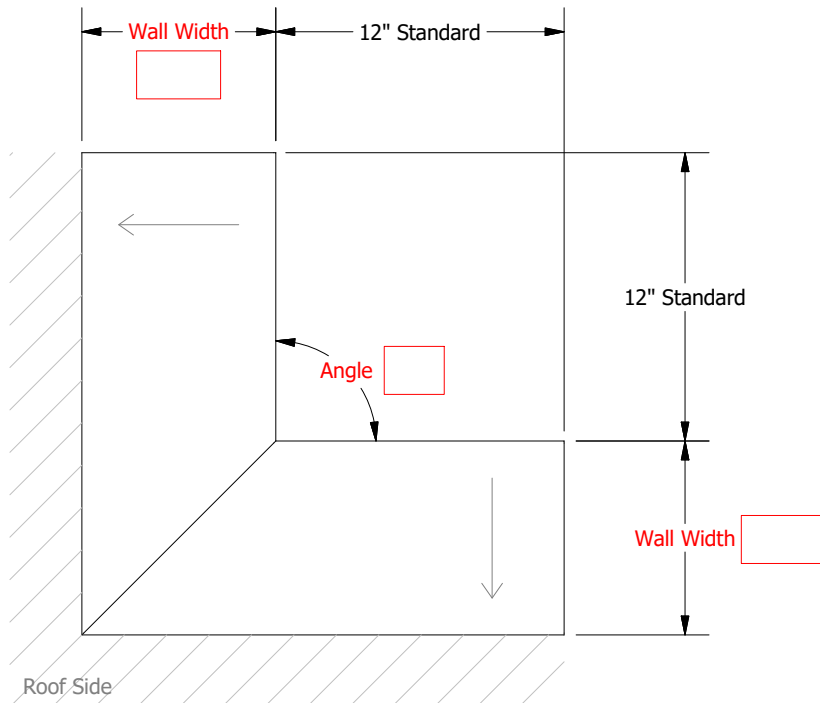
Accessory Type

- Pre-Finished, Fabricated and Sealed
- Welded and Post-Finished *050 & 063 Alum only

Materials:

- 24 Ga Steel
- 22 Ga Steel
- 0.040 Aluminum
- 0.050 Aluminum
- 0.063 Aluminum
- Other: _____
- Color: _____
- Finish: _____

Inside Miter QTY: _____

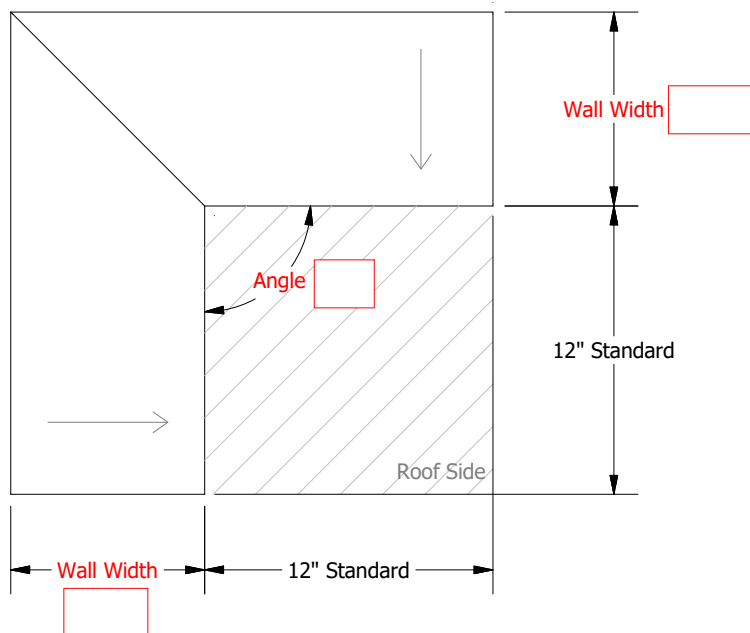


Additional Notes:

Front Face Dimension(C): _____
*see product spec sheet for more information

Back Face Dimension: _____
*see product spec sheet for standard sizes

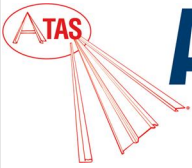
Outside Miter QTY: _____



Additional Notes:

Front Face Dimension(C): _____
*see product spec sheet for more information

Back Face Dimension: _____
*see product spec sheet for standard sizes



Coping System

- Continuous Cleat Coping
- Rapid-Lok Coping
- Rapid-Lok SL Coping
- Rapid-Lok Ultra Coping

Accessory Type

- Pre-Finished, Fabricated and Sealed
- Welded and Post-Finished *050 & 063 Alum only

Materials:

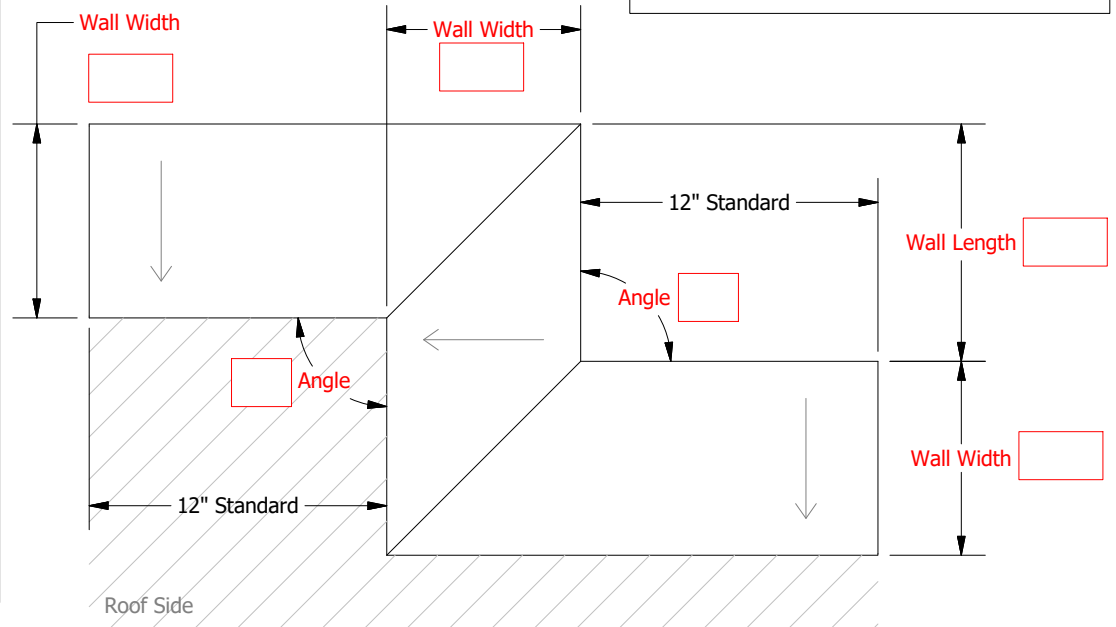
- 24 Ga Steel
- 22 Ga Steel
- 0.040 Aluminum
- 0.050 Aluminum
- 0.063 Aluminum
- Other: _____
- Color: _____
- Finish: _____

Additional Notes:

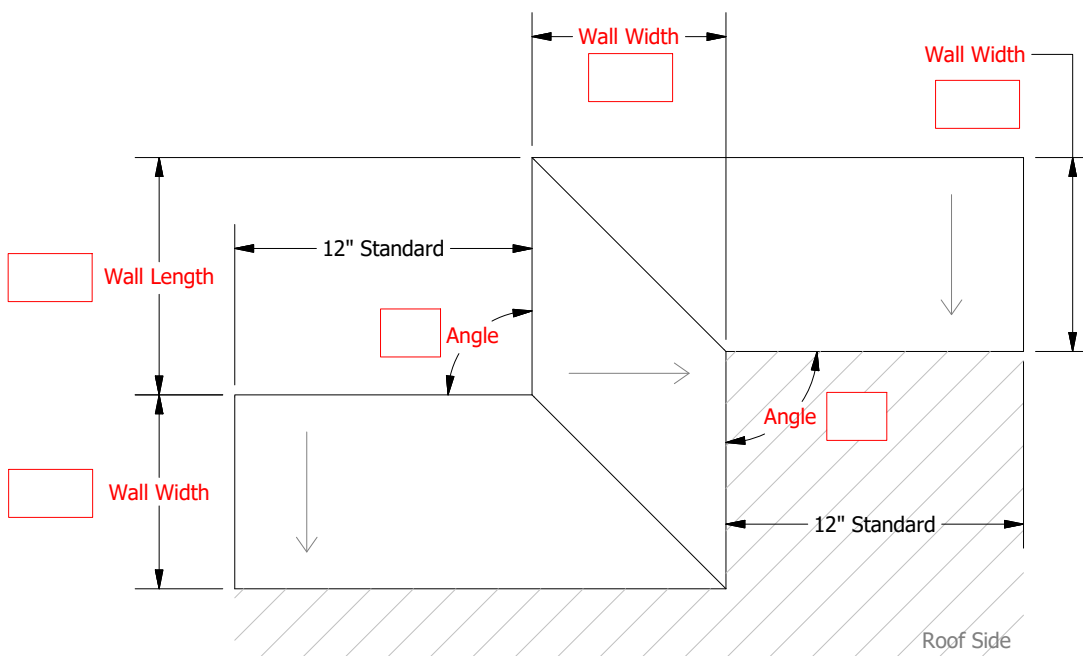
Front Face Dimension(C): _____
*see product spec sheet for more information

Back Face Dimension: _____
*see product spec sheet for standard sizes

LEFT Z MITER QTY: _____



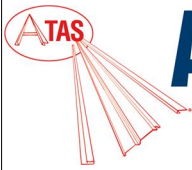
RIGHT Z MITER QTY: _____



Additional Notes:

Front Face Dimension(C): _____
*see product spec sheet for more information

Back Face Dimension: _____
*see product spec sheet for standard sizes



Coping System

- Continuous Cleat Coping
- Rapid-Lok Coping
- Rapid-Lok SL Coping
- Rapid-Lok Ultra Coping

Accessory Type

- Pre-Finished, Fabricated and Sealed
- Welded and Post-Finished *050 & 063 Alum only

Materials:

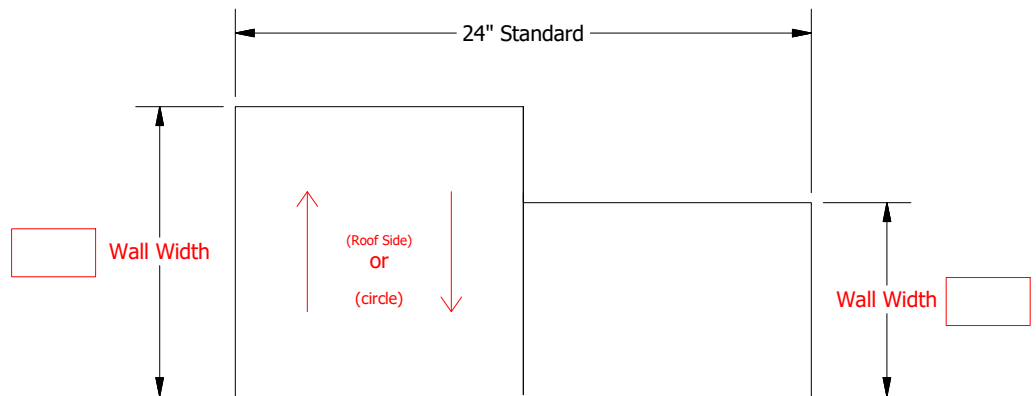
- 24 Ga Steel
- 22 Ga Steel
- 0.040 Aluminum
- 0.050 Aluminum
- 0.063 Aluminum
- Other: _____
- Color: _____
- Finish: _____

Additional Notes:

Front Face Dimension(C): _____
*see product spec sheet for more information

Back Face Dimension: _____
*see product spec sheet for standard sizes

LEFT TRANSITION QTY: _____

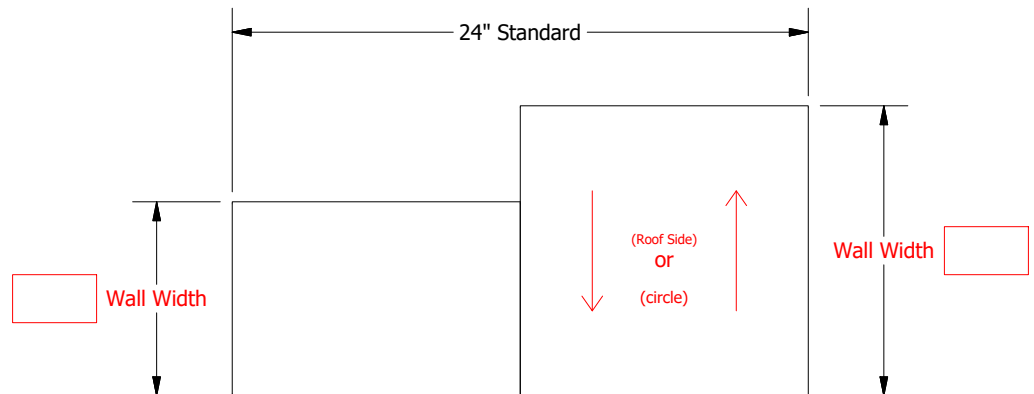


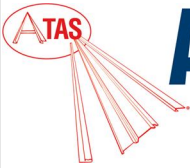
Additional Notes:

Front Face Dimension(C): _____
*see product spec sheet for more information

Back Face Dimension: _____
*see product spec sheet for standard sizes

RIGHT TRANSITION QTY: _____





Coping System

- Continuous Cleat Coping
- Rapid-Lok Coping
- Rapid-Lok SL Coping
- Rapid-Lok Ultra Coping

Accessory Type

- Pre-Finished, Fabricated and Sealed
- Welded and Post-Finished *050 & 063 Alum only

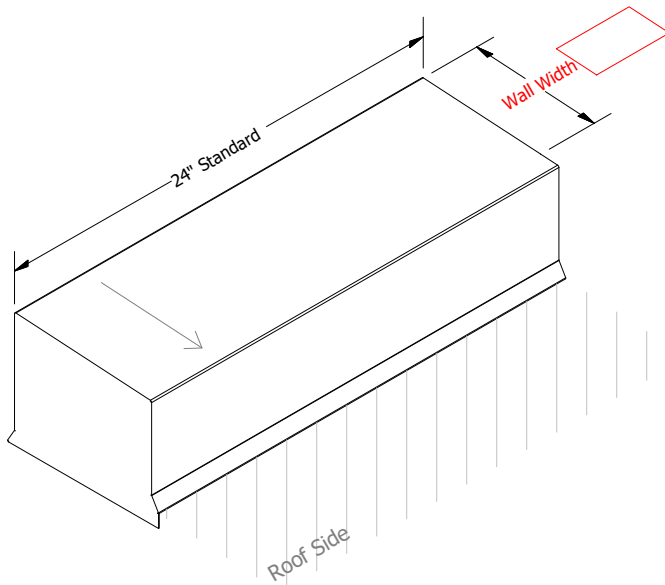
Materials:

- 24 Ga Steel
- 22 Ga Steel
- 0.040 Aluminum
- 0.050 Aluminum
- 0.063 Aluminum
- Other: _____

Color: _____

Finish: _____

RIGHT END CLOSURE QTY: _____

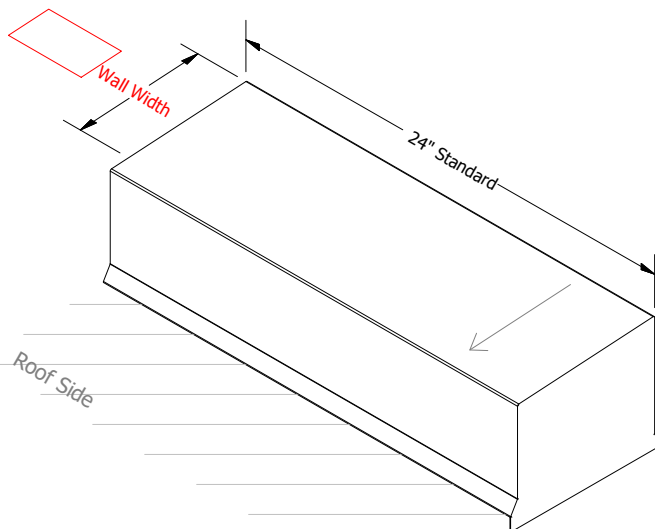


Additional Notes:

Front Face Dimension(C): _____
*see product spec sheet for more information

Back Face Dimension: _____
*see product spec sheet for standard sizes

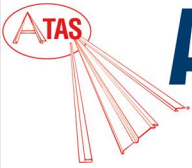
LEFT END CLOSURE QTY: _____



Additional Notes:

Front Face Dimension(C): _____
*see product spec sheet for more information

Back Face Dimension: _____
*see product spec sheet for standard sizes



ATAS International, Inc.

Sustainable Building Envelope Technology

COPING

LEFT AND RIGHT END TERMS
ACCESSORY SHEET

Coping System

- Continuous Cleat Coping
- Rapid-Lok Coping
- Rapid-Lok SL Coping
- Rapid-Lok Ultra Coping

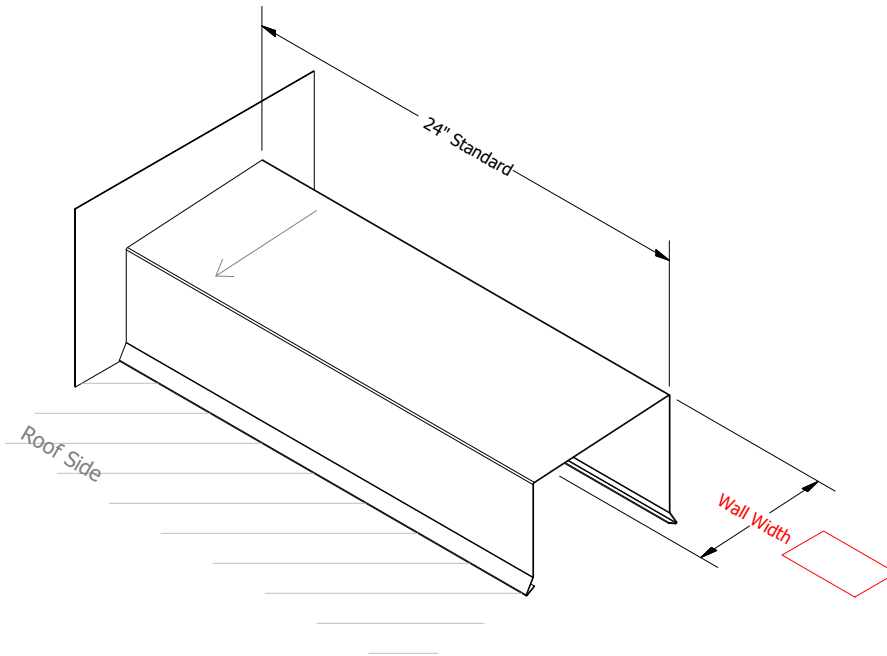
Accessory Type

- Pre-Finished, Fabricated and Sealed
- Welded and Post-Finished *050 & 063 Alum only

Materials:

- 24 Ga Steel
- 22 Ga Steel
- 0.040 Aluminum
- 0.050 Aluminum
- 0.063 Aluminum
- Other: _____
- Color: _____
- Finish: _____

RIGHT END TERM QTY: _____

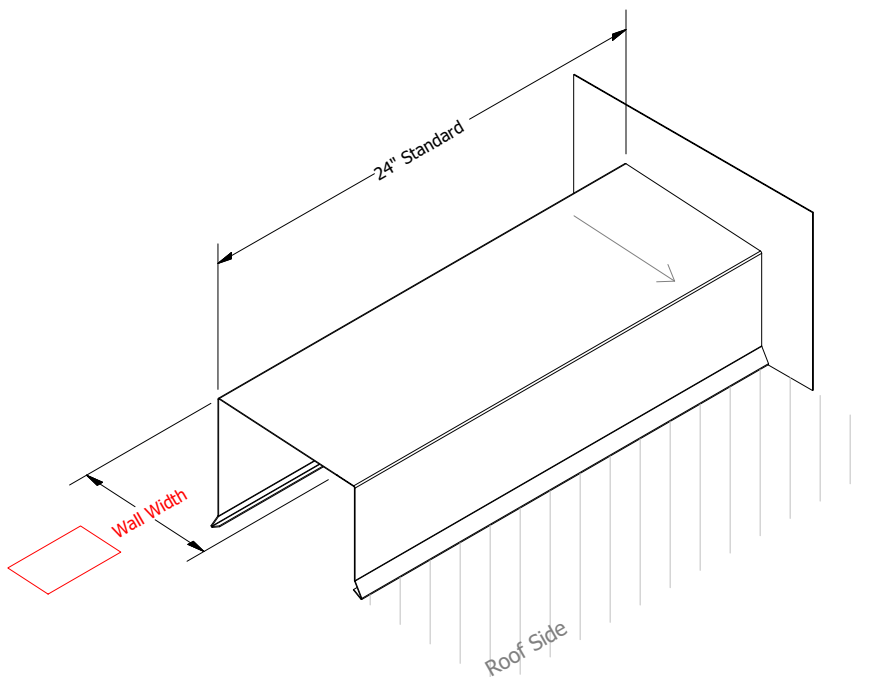


Additional Notes:

Front Face Dimension(C): _____
*see product spec sheet for more information

Back Face Dimension: _____
*see product spec sheet for standard sizes

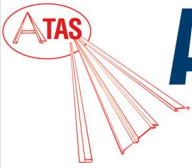
LEFT END TERM QTY: _____



Additional Notes:

Front Face Dimension(C): _____
*see product spec sheet for more information

Back Face Dimension: _____
*see product spec sheet for standard sizes



Coping System

- Continuous Cleat Coping
- Rapid-Lok Coping
- Rapid-Lok SL Coping
- Rapid-Lok Ultra Coping

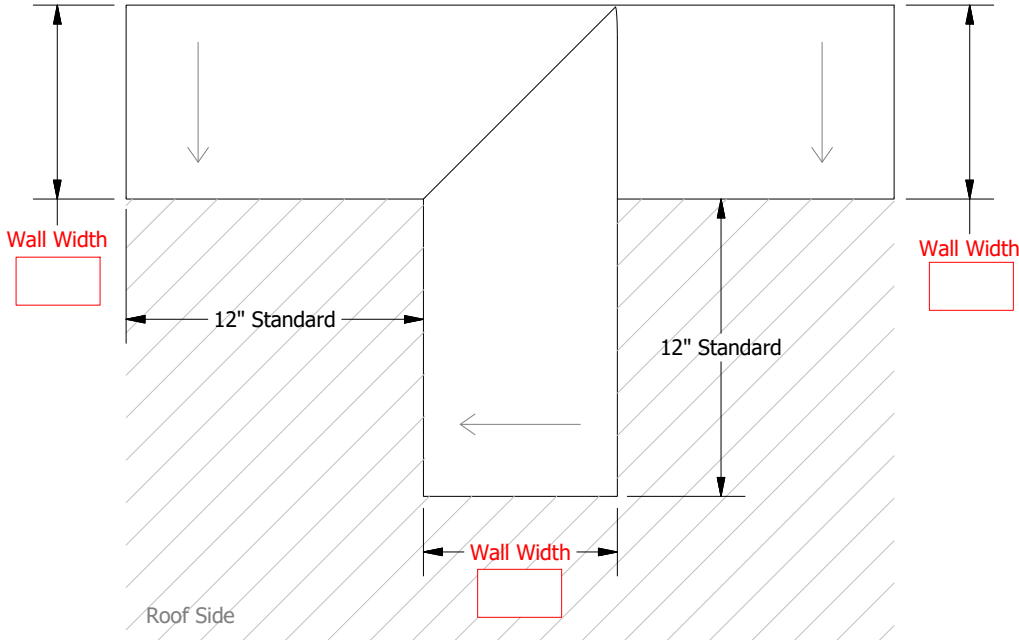
Accessory Type

- Pre-Finished, Fabricated and Sealed
- Welded and Post-Finished *050 & 063 Alum only

Materials:

- 24 Ga Steel
- 22 Ga Steel
- 0.040 Aluminum
- 0.050 Aluminum
- 0.063 Aluminum
- Other: _____
- Color: _____
- Finish: _____

LEFT OUTSIDE T MITER QTY: _____

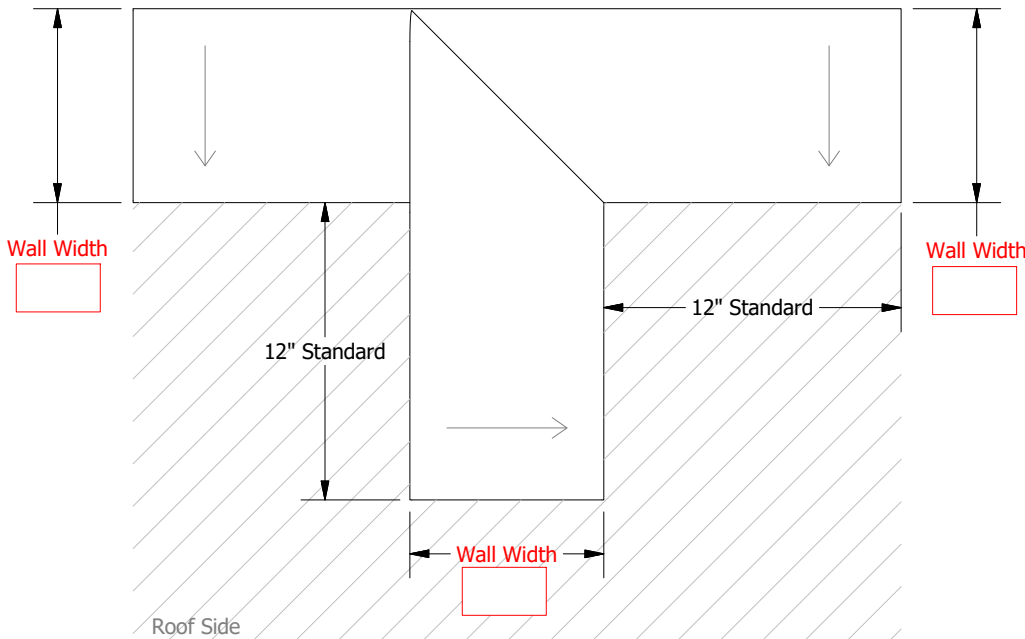


Additional Notes:

Front Face Dimension(C): _____
*see product spec sheet for more information

Back Face Dimension: _____
*see product spec sheet for standard sizes

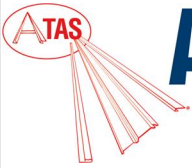
RIGHT OUTSIDE T MITER QTY: _____



Additional Notes:

Front Face Dimension(C): _____
*see product spec sheet for more information

Back Face Dimension: _____
*see product spec sheet for standard sizes



Coping System

- Continuous Cleat Coping
- Rapid-Lok Coping
- Rapid-Lok SL Coping
- Rapid-Lok Ultra Coping

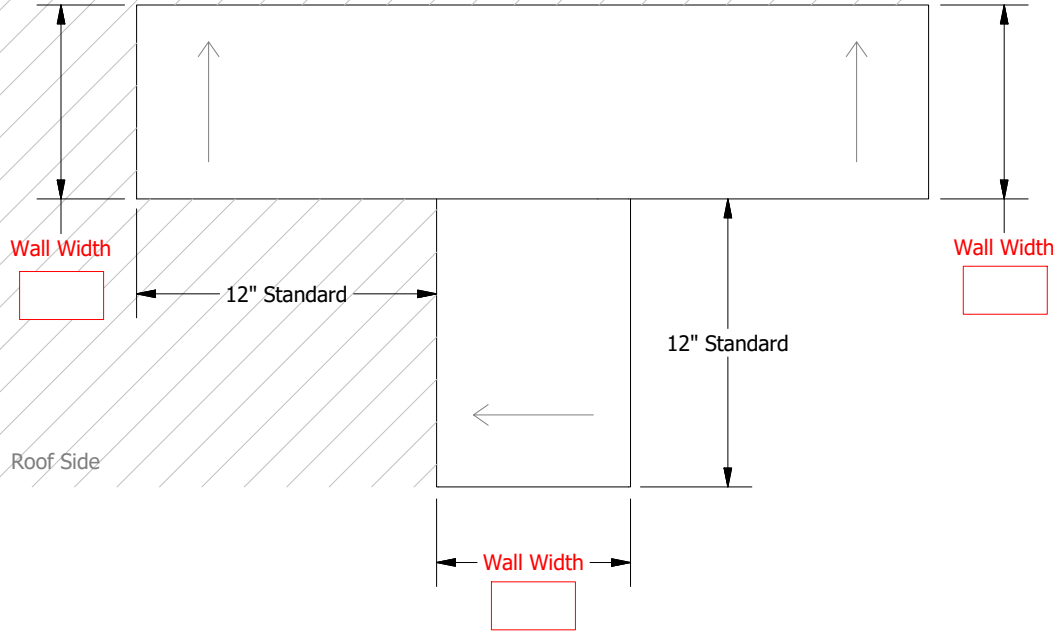
Accessory Type

- Pre-Finished, Fabricated and Sealed
- Welded and Post-Finished *050 & 063 Alum only

Materials:

- 24 Ga Steel
- 22 Ga Steel
- 0.040 Aluminum
- 0.050 Aluminum
- 0.063 Aluminum
- Other: _____
- Color: _____
- Finish: _____

LEFT INSIDE TEE MITER QTY: _____

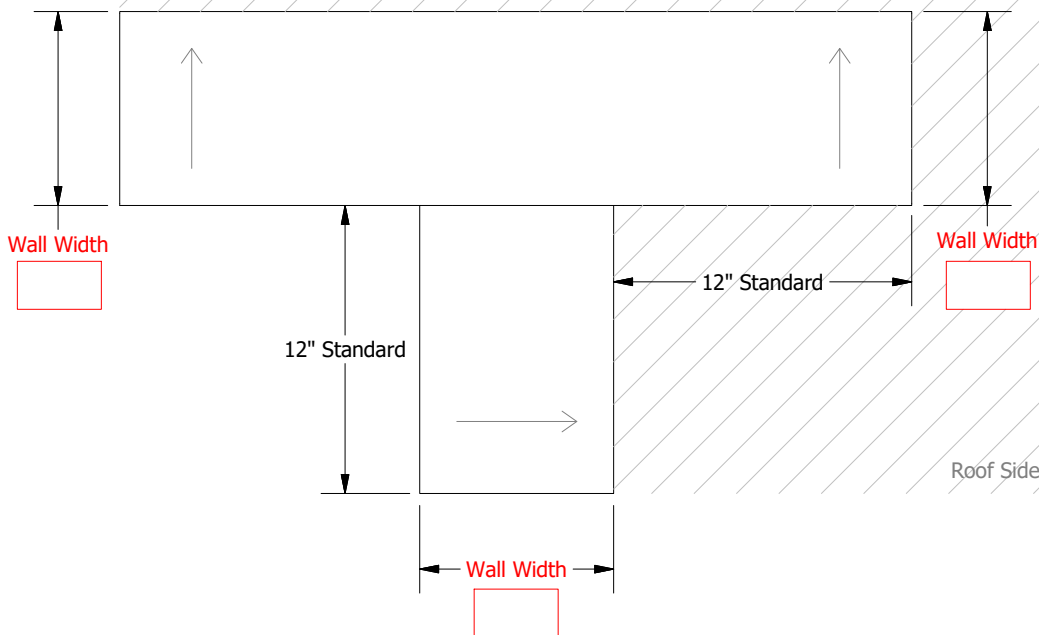


Additional Notes:

Front Face Dimension(C): _____
*see product spec sheet for more information

Back Face Dimension: _____
*see product spec sheet for standard sizes

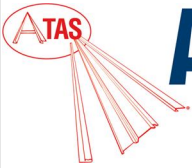
RIGHT INSIDE TEE MITER QTY: _____



Additional Notes:

Front Face Dimension(C): _____
*see product spec sheet for more information

Back Face Dimension: _____
*see product spec sheet for standard sizes



Coping System

- Continuous Cleat Coping
- Rapid-Lok Coping
- Rapid-Lok SL Coping
- Rapid-Lok Ultra Coping

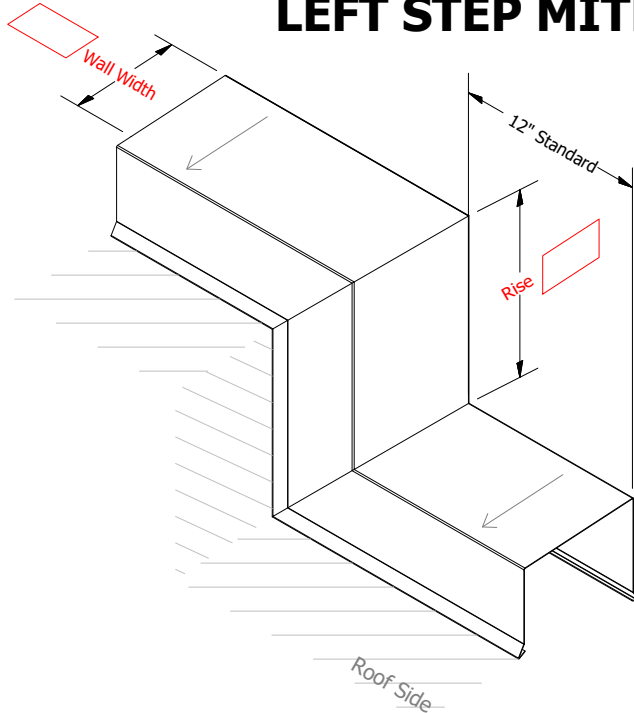
Accessory Type

- Pre-Finished, Fabricated and Sealed
- Welded and Post-Finished *050 & 063 Alum only

Materials:

- 24 Ga Steel
- 22 Ga Steel
- 0.040 Aluminum
- 0.050 Aluminum
- 0.063 Aluminum
- Other: _____
- Color: _____
- Finish: _____

LEFT STEP MITER QTY: _____

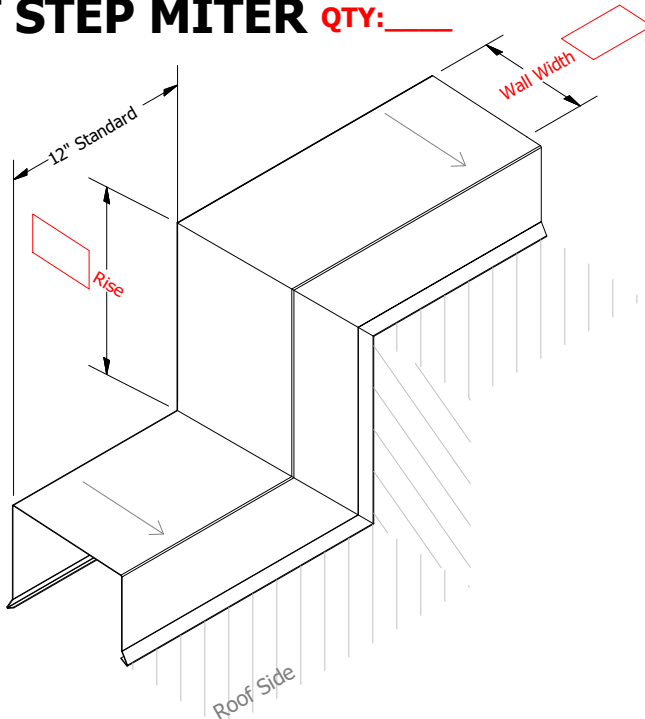


Additional Notes:

Front Face Dimension(C): _____
*see product spec sheet for more information

Back Face Dimension: _____
*see product spec sheet for standard sizes

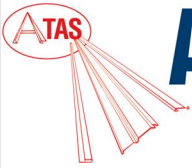
RIGHT STEP MITER QTY: _____



Additional Notes:

Front Face Dimension(C): _____
*see product spec sheet for more information

Back Face Dimension: _____
*see product spec sheet for standard sizes



Coping System

- Continuous Cleat Coping
- Rapid-Lok Coping
- Rapid-Lok SL Coping
- Rapid-Lok Ultra Coping

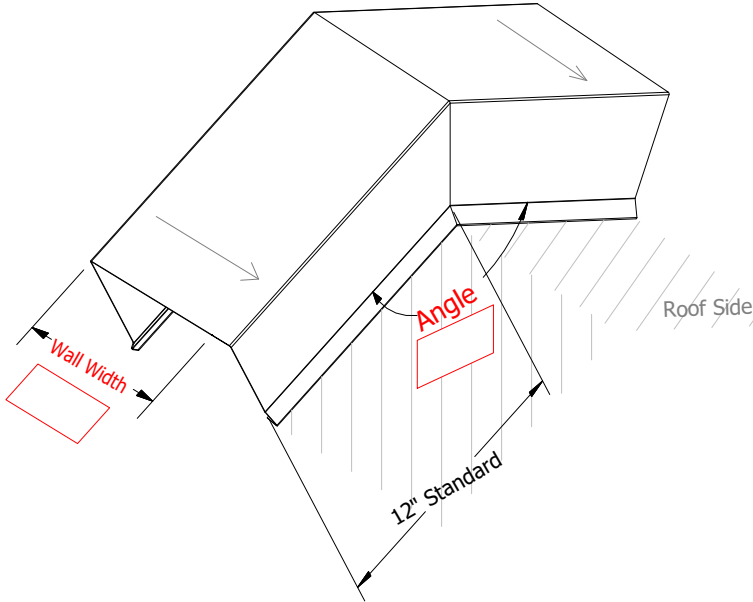
Accessory Type

- Pre-Finished, Fabricated and Sealed
- Welded and Post-Finished *050 & 063 Alum only

Materials:

- 24 Ga Steel
- 22 Ga Steel
- 0.040 Aluminum
- 0.050 Aluminum
- 0.063 Aluminum
- Other: _____
- Color: _____
- Finish: _____

PEAK MITER QTY: _____

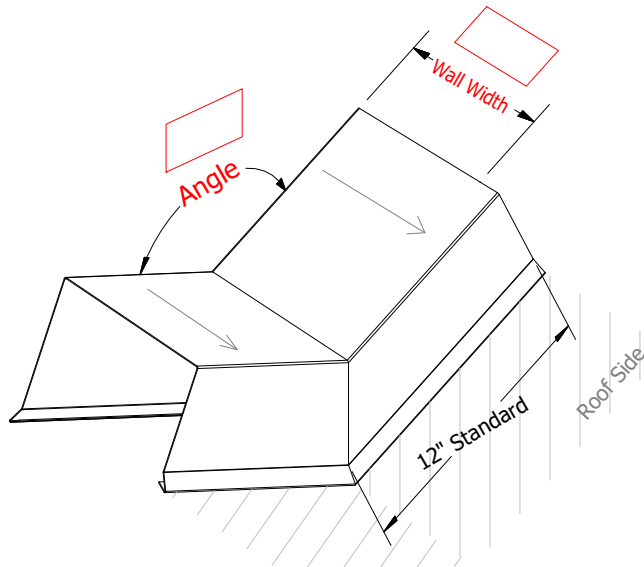


Additional Notes:

Front Face Dimension(C): _____
 *see product spec sheet for more information

Back Face Dimension: _____
 *see product spec sheet for standard sizes

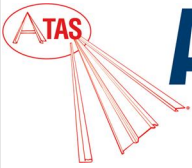
VALLEY MITER QTY: _____



Additional Notes:

Front Face Dimension(C): _____
 *see product spec sheet for more information

Back Face Dimension: _____
 *see product spec sheet for standard sizes



Coping System

- Continuous Cleat Coping
- Rapid-Lok Coping
- Rapid-Lok SL Coping
- Rapid-Lok Ultra Coping

Accessory Type

- Pre-Finished, Fabricated and Sealed
- Welded and Post-Finished

Materials:

- 24 Ga Steel ← Pre-Finished, Fabricated and Sealed ONLY
- 0.040 Aluminum ← Pre-Finished, Fabricated and Sealed ONLY
- 0.050 Aluminum ← Welded and Post-Finished ONLY
- 0.063 Aluminum ← Welded and Post-Finished ONLY

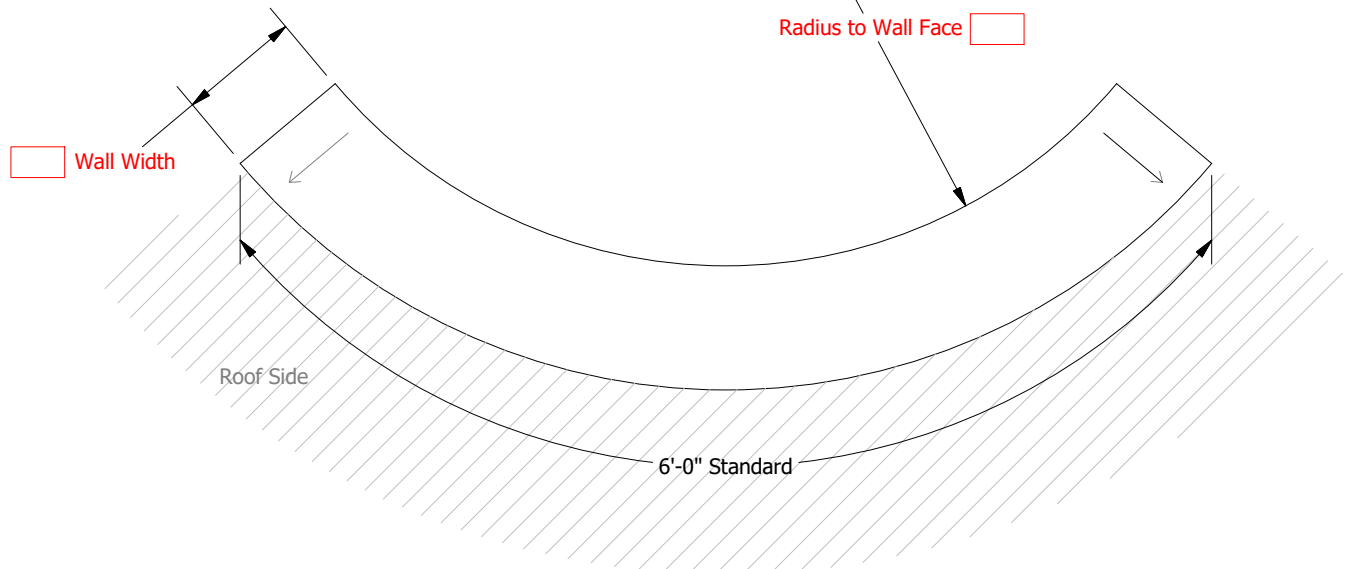
Color: _____

Finish: _____

CONCAVE RADIUS COPING QTY: _____

Front Face Dimension(C): _____
*see product spec sheet for more information

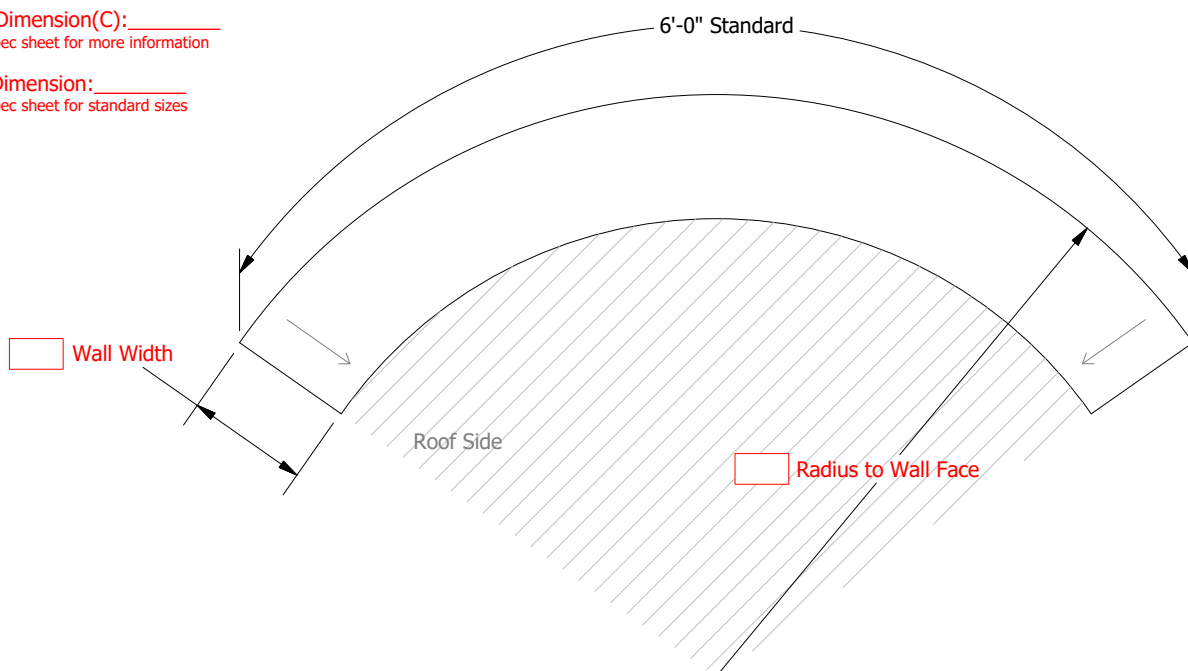
Back Face Dimension: _____
*see product spec sheet for standard sizes

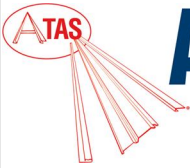


CONVEX RADIUS COPING QTY: _____

Front Face Dimension(C): _____
*see product spec sheet for more information

Back Face Dimension: _____
*see product spec sheet for standard sizes





Coping System

- Continuous Cleat Coping
- Rapid-Lok Coping
- Rapid-Lok SL Coping
- Rapid-Lok Ultra Coping

Accessory Type

- Pre-Finished, Fabricated and Sealed
- Welded and Post-Finished

Materials:

- 24 Ga Steel ← Pre-Finished, Fabricated and Sealed ONLY
- 0.040 Aluminum ← Pre-Finished, Fabricated and Sealed ONLY
- 0.050 Aluminum ← Welded and Post-Finished ONLY
- 0.063 Aluminum ← Welded and Post-Finished ONLY

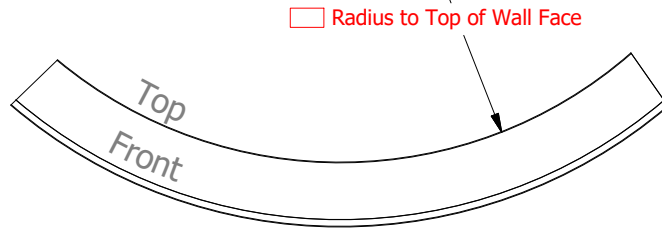
Color: _____
Finish: _____

CONCAVE VAULTED COPING QTY: _____

Wall Width(W): _____
*see product spec sheet for more information

Front Face Dimension(C): _____
*see product spec sheet for more information

Back Face Dimension: _____
*see product spec sheet for standard sizes

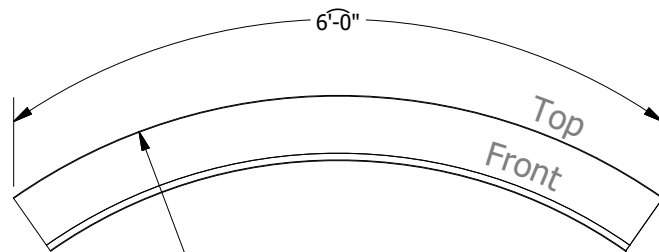


CONVEX VAULTED COPING QTY: _____

Wall Width(W): _____
*see product spec sheet for more information

Front Face Dimension(C): _____
*see product spec sheet for more information

Back Face Dimension: _____
*see product spec sheet for standard sizes



Radius to Top of Wall Face