

an AmesburyTruth™ company

Experience. Innovation.

Bil-Guard 2.0 Roof Hatch Railing System

Fully Enclosed Curb and VersaMount Installation Instructions

BILCO Customer Service (800) 366-6530

www.bilco.com

Tools Required:

- 7/16" metal drill bit
- 9/16" box wrench
- 1/2" socket or box wrench

Parts List:

- Installation Tool (see detail)
- (4) Aluminum corner brackets
- (16) aluminum Riv-nuts

Installation Instructions:

1. Measure down 3-1/2" from the top of the roof hatch curb and mark a horizontal line on each side of one corner as shown in Figure 1.
2. Position corner bracket on curb so that mounting holes are centered on the 3-1/2" position lines. Mark and drill all four mounting holes using a 7/16" drill bit. **IMPORTANT: Do not drill trough inside wall of curb. The bracket mounts to the exterior wall only.**
3. Assemble the riv-nut installation tool as shown in Figure 2. Thread riv-nut onto end of tool and insert riv-nut into mounting hole as shown. Using a 9/16" box wrench, hold the installation tool spacer in position while fully tightening the 5/16"-18 x 3" bolt with a 1/2" wrench to lock the riv-nut into position. Remove bolt from riv-nut and repeat this procedure for the remaining three mounting holes on this corner.
4. Repeat the above steps on all four roof hatch corners and follow instructions supplied with the Bil-Guard 2.0 railing system to complete installation.

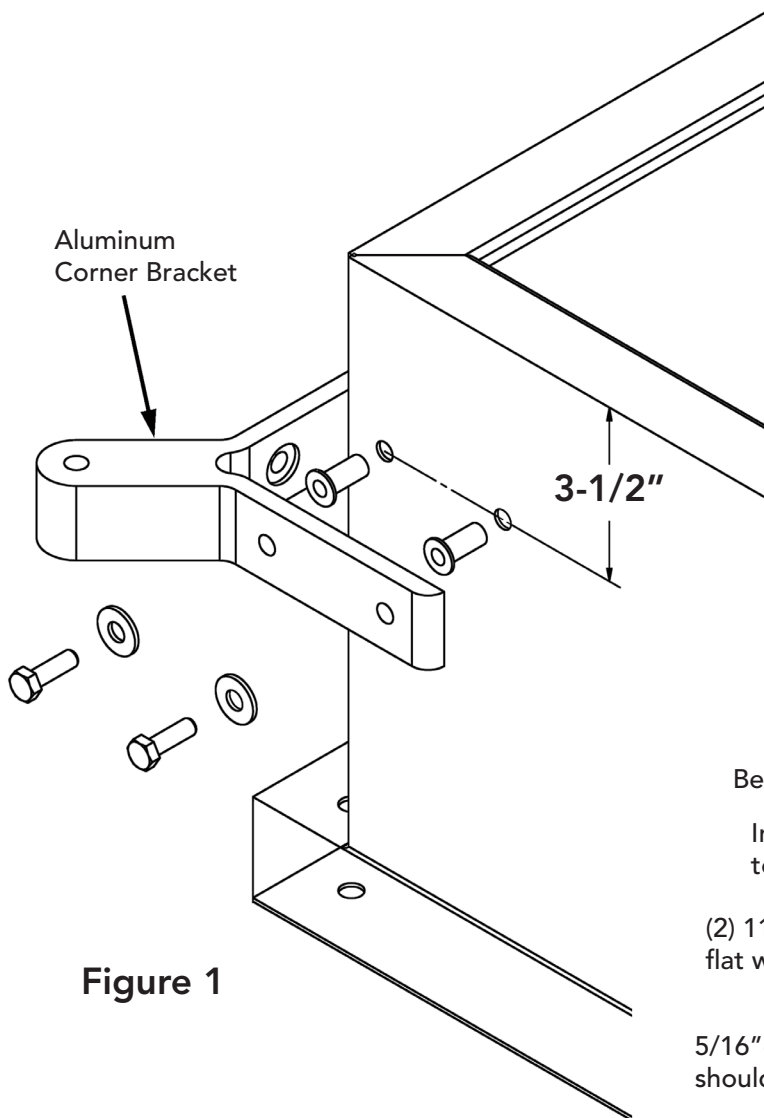


Figure 1

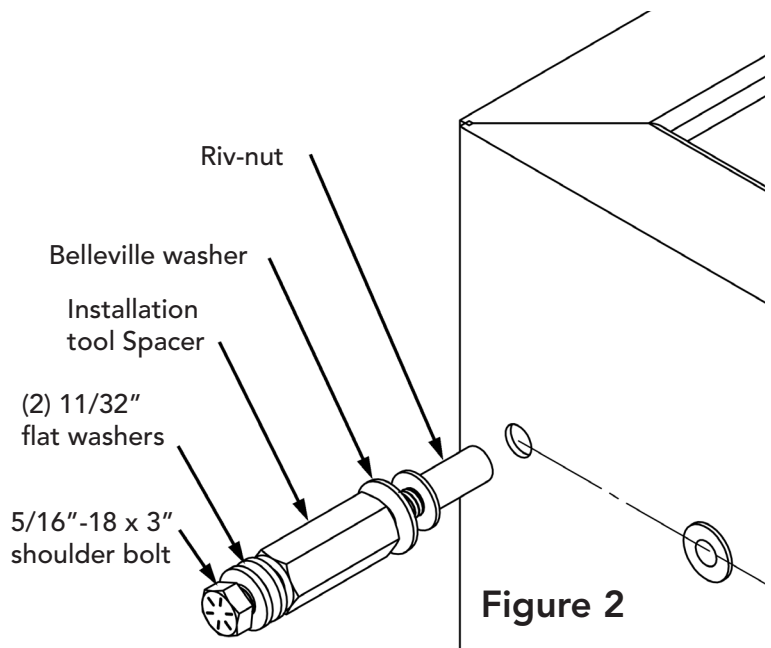


Figure 2