

Material	Brands	Notes
Concrete		Minimum 7 day cure. Form release agents and air entrainment may necessitate special application procedure or additional surface prep.
Concrete Masonry Unit (CMU)		Mortar joints struck flush. Mortar droppings removed from ties.
Plywood		Standard and chemical-treated are OK.
Lumber		
Structural Steel		Remove loose rust and scale
Polyethylene film	CCW-705, CCW-705 TWF, Barritape, MiraDRI 860/861	
OSB		
Gypsum Sheathing	FIBEROCK by USG, DensGlass Gold by GP, GlassRoc by Certainteed, Gold Bond by National Gypsum	
Elastomeric Membrane	Barriseal-R, Barriseal-S, Barritech VP, CCW-703 V/H LiquiSEAL	Membrane shall be dry and firm to touch.
Mastic	LM-800XL	All solvent shall be flashed out of mastic.
Polyurethane Sealant	CCW-201, Sonneborn NP-1, S-M 7100, Sikaflex 2C NS, Carlisle-Syntec PT-304	Sealant shall be tack-free and firm to touch.
EPDM Membrane	CCW Pre-Kleened EPDM, Carlisle-Syntec SURE-SEAL EPDM	Surface shall be cleaned and coated with EP-95 spiling cement or HP-250 Primer.

Notes:

Suitable substrates include but are not limited to these. All surfaces shall be clean and dry. No priming is required on substrates, except EPDM.

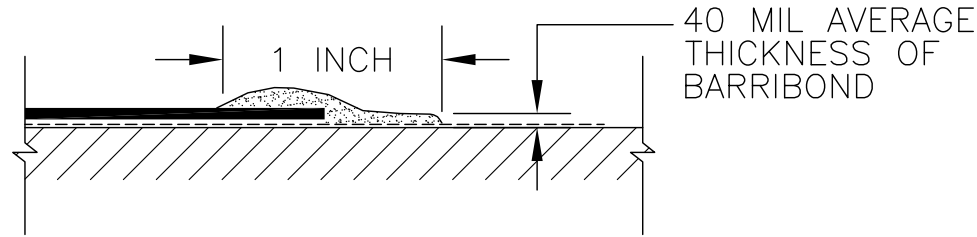
705-0B

SUITABLE SUBSTRATES FOR CCW-705
BY CARLISLE COATINGS AND
WATERPROOFING, INC. (CCW)

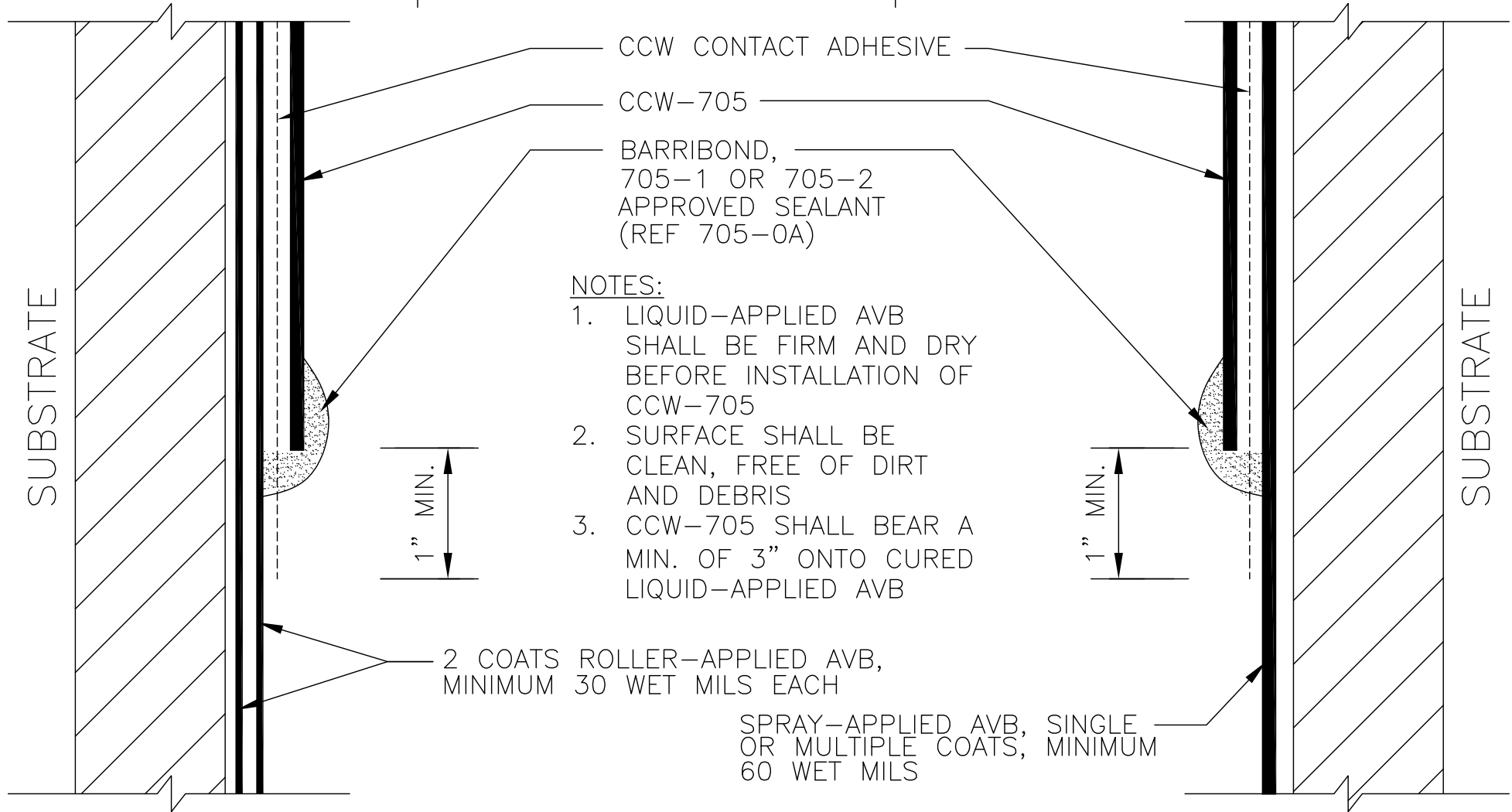


© 2016 CARLISLE CORPORATION

CCW-705 OVER
ROLLER-APPLIED
SYSTEM



CCW-705 OVER
SPRAY-APPLIED
SYSTEM



NOTES:

1. LIQUID-APPLIED AVB SHALL BE FIRM AND DRY BEFORE INSTALLATION OF CCW-705
2. SURFACE SHALL BE CLEAN, FREE OF DIRT AND DEBRIS
3. CCW-705 SHALL BEAR A MIN. OF 3" ONTO CURED LIQUID-APPLIED AVB

AS A MANUFACTURER OF CONSTRUCTION MATERIALS, CARLISLE, DOES NOT ASSUME RESPONSIBILITY FOR ERRORS IN DESIGN OR ENGINEERING. ARCHITECT OR OWNERS REPRESENTATIVE MUST VERIFY SUITABILITY OF DETAILS.

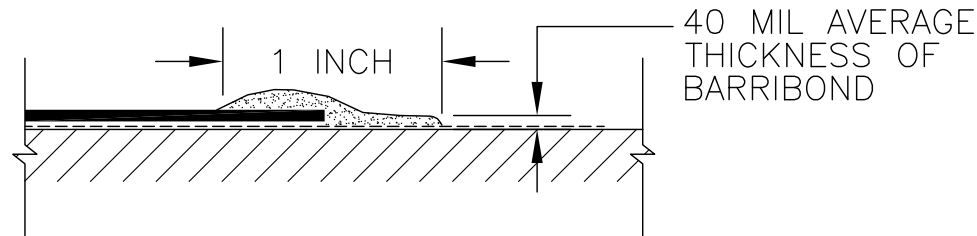
705-1A

CCW-705/LIQUID-APPLIED
AVB TERMINATION 1

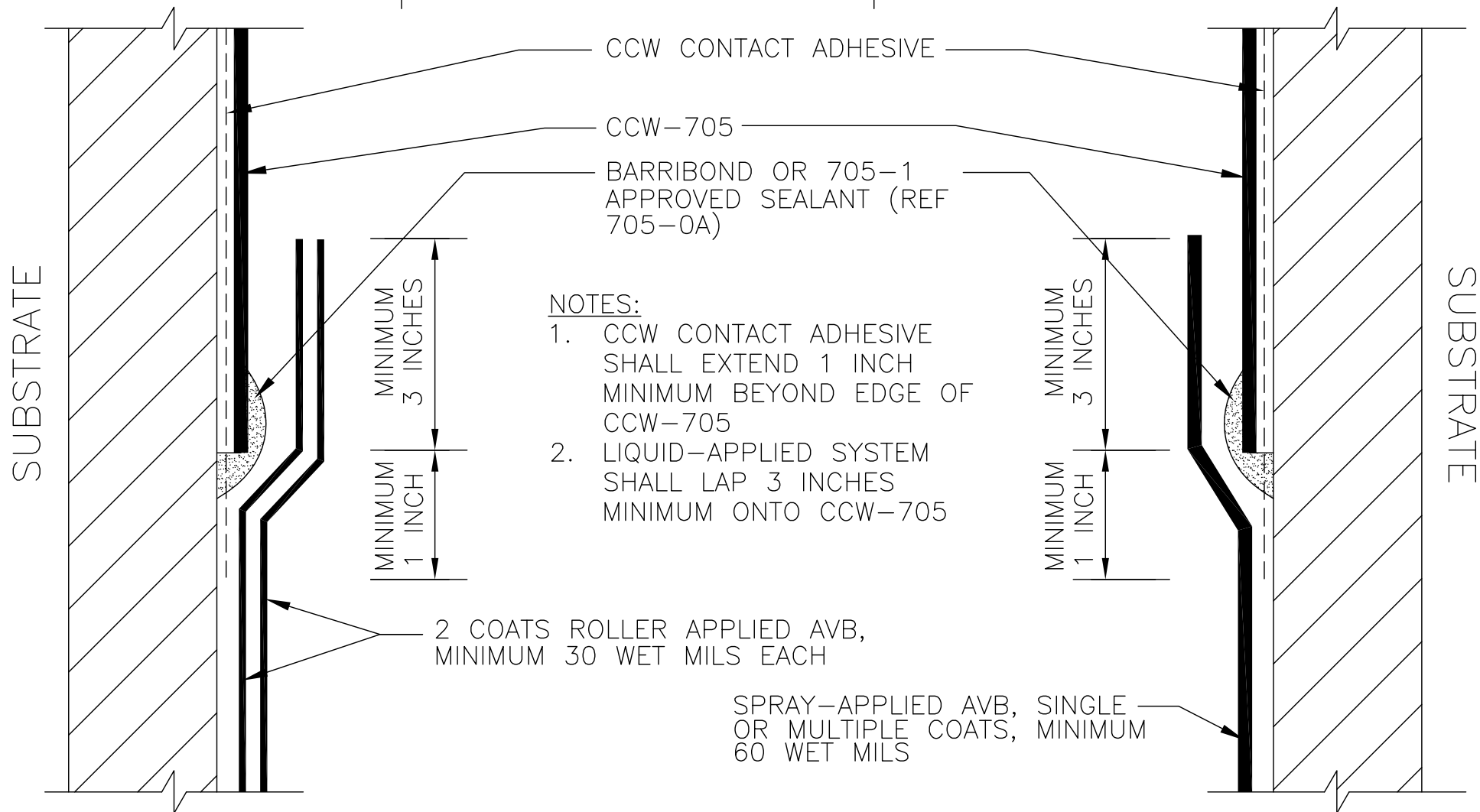
CARLISLE
COATINGS & WATERPROOFING

© 2016 CARLISLE CORPORATION

ROLLER-APPLIED
SYSTEM OVER
CCW-705



SPRAY-APPLIED
SYSTEM OVER
CCW-705



NOTES:

1. CCW CONTACT ADHESIVE SHALL EXTEND 1 INCH MINIMUM BEYOND EDGE OF CCW-705
2. LIQUID-APPLIED SYSTEM SHALL LAP 3 INCHES MINIMUM ONTO CCW-705

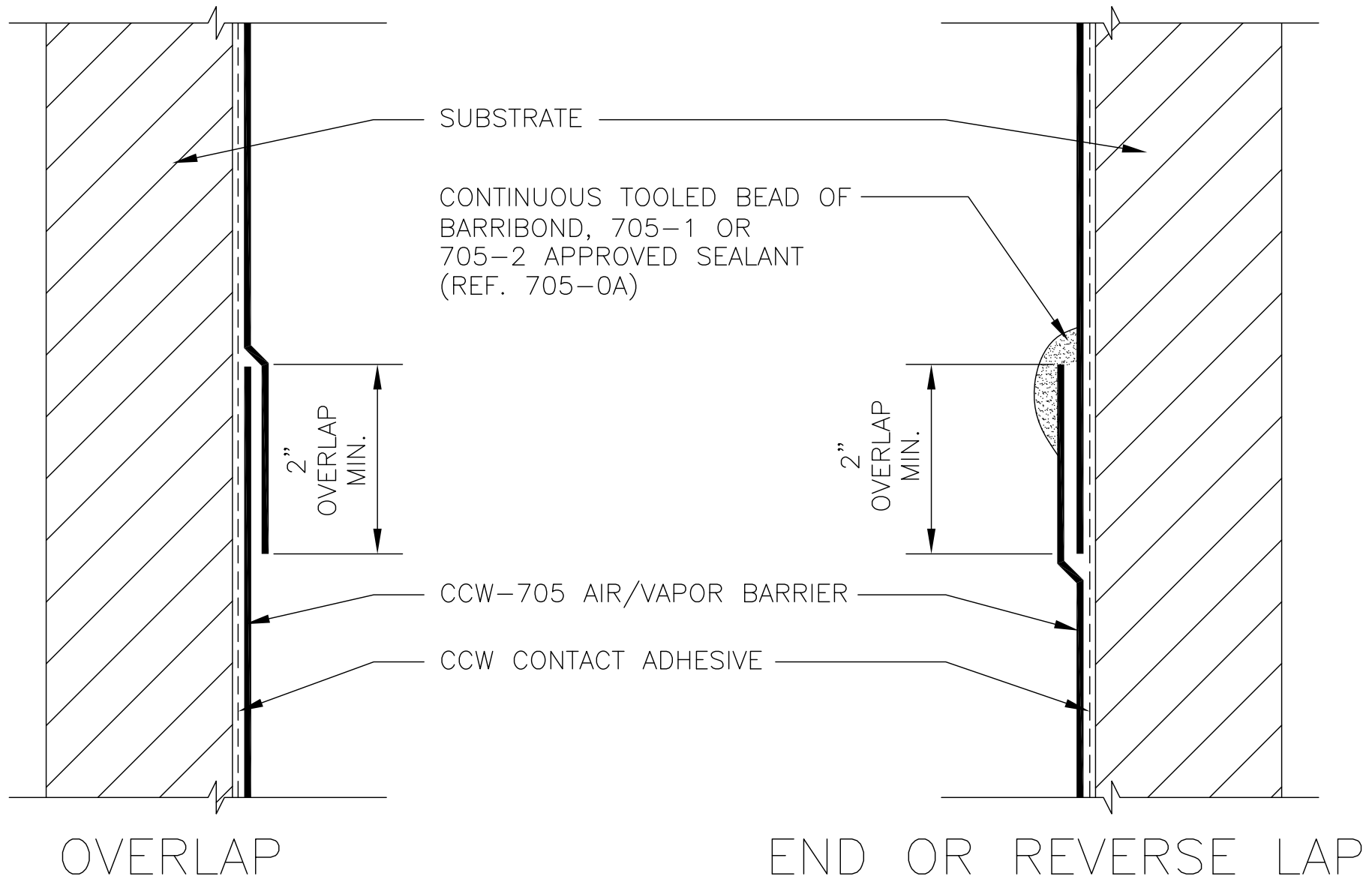
AS A MANUFACTURER OF CONSTRUCTION MATERIALS, CARLISLE, DOES NOT ASSUME RESPONSIBILITY FOR ERRORS IN DESIGN OR ENGINEERING. ARCHITECT OR OWNERS REPRESENTATIVE MUST VERIFY SUITABILITY OF DETAILS.

705-1B

CCW-705/LIQUID-APPLIED
AVB TERMINATION 2



© 2016 CARLISLE CORPORATION



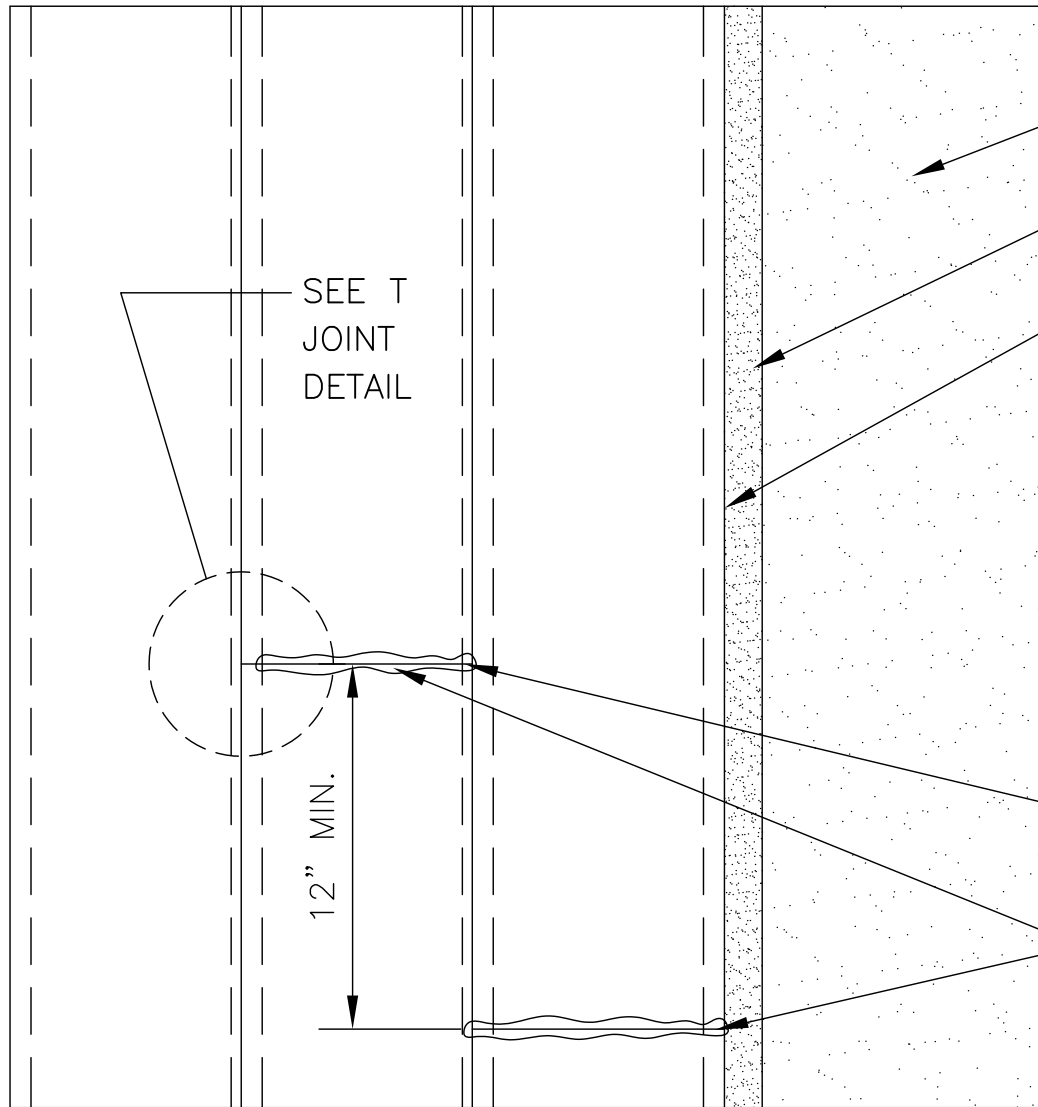
AS A MANUFACTURER OF CONSTRUCTION MATERIALS,
 CARLISLE, DOES NOT ASSUME RESPONSIBILITY FOR ERRORS
 IN DESIGN OR ENGINEERING. ARCHITECT OR OWNERS
 REPRESENTATIVE MUST VERIFY SUITABILITY OF DETAILS.

705-2A

CCW-705 LAPS



© 2016 CARLISLE CORPORATION



WALL SUBSTRATE

CCW CONTACT ADHESIVE

FACTORY EDGE

NOTES:

1. START AT TOP, ADHERE TOP OF SHEET AND UNROLL DOWN WALL
2. OFFSET HORIZONTAL SEAMS 12" MINIMUM
3. LAP NEIGHBORING PIECES AT LEAST 2"

FIELD CUT EDGE

APPLY BARRIBOND OR 705-1 APPROVED SEALANT (REF. 705-0A) OVER FIELD CUT EDGES

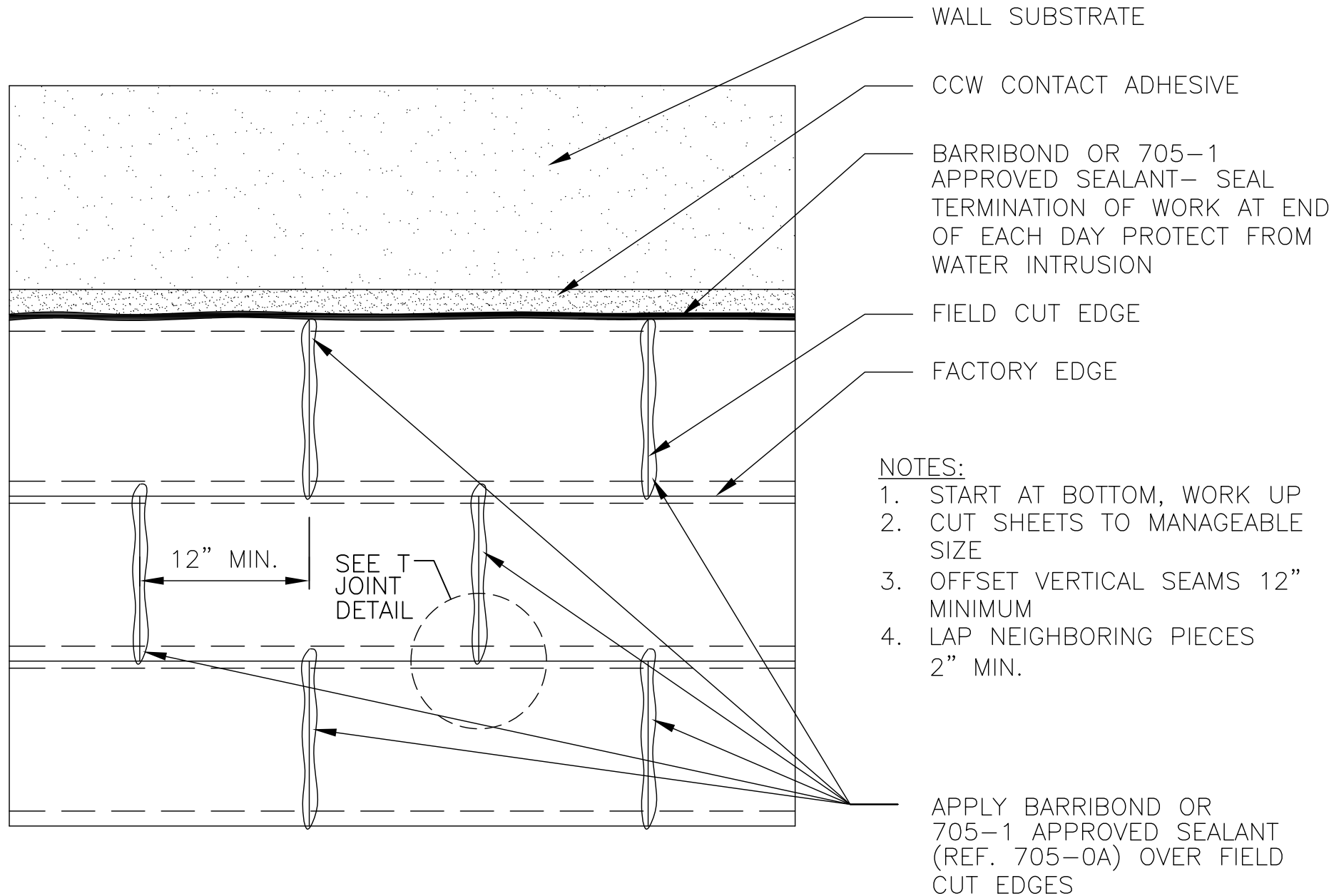
AS A MANUFACTURER OF CONSTRUCTION MATERIALS, CARLISLE, DOES NOT ASSUME RESPONSIBILITY FOR ERRORS IN DESIGN OR ENGINEERING. ARCHITECT OR OWNERS REPRESENTATIVE MUST VERIFY SUITABILITY OF DETAILS.

705-2B

CCW-705
VERTICAL INSTALLATION



© 2016 CARLISLE CORPORATION



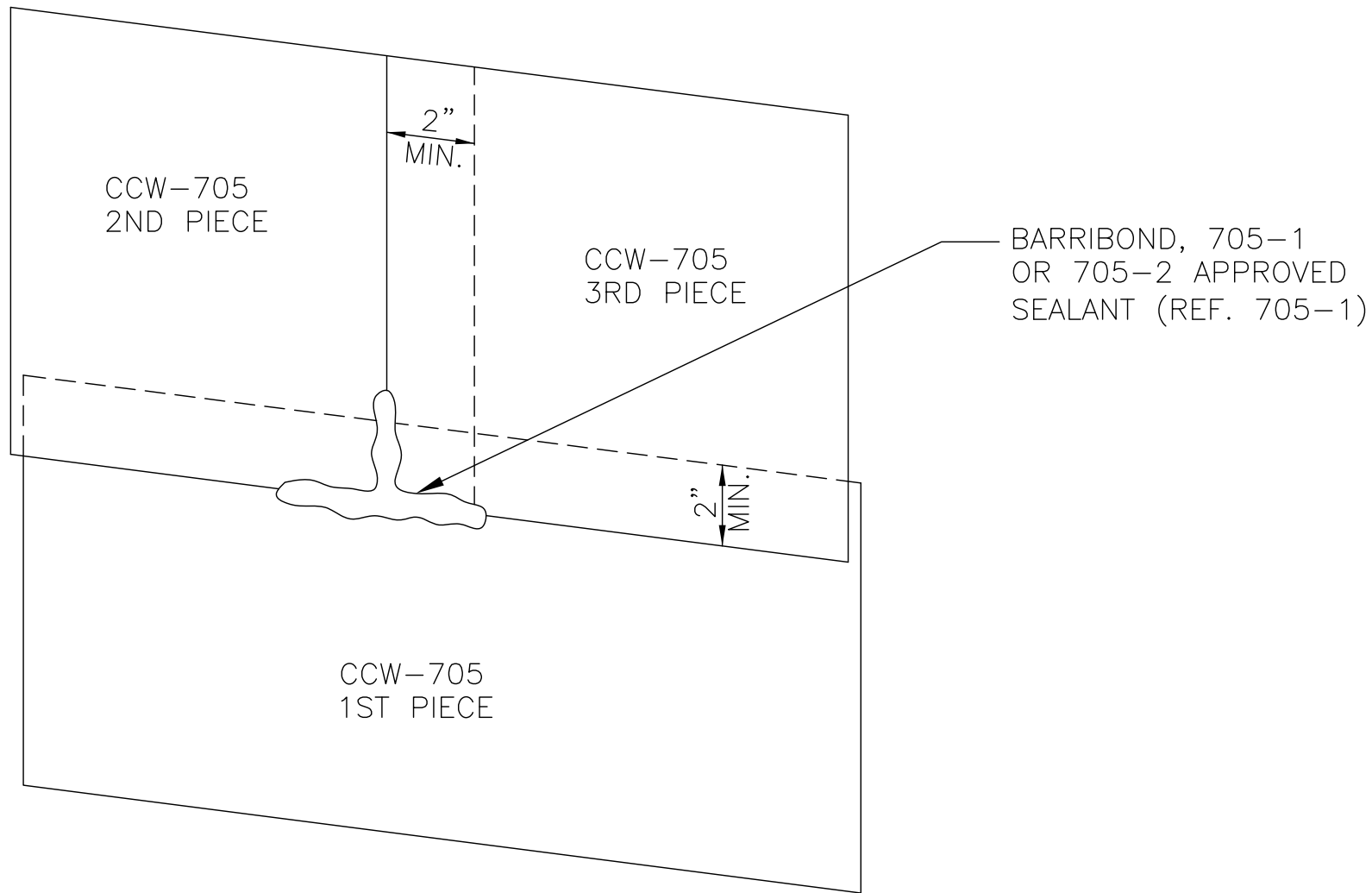
AS A MANUFACTURER OF CONSTRUCTION MATERIALS, CARLISLE, DOES NOT ASSUME RESPONSIBILITY FOR ERRORS IN DESIGN OR ENGINEERING. ARCHITECT OR OWNERS REPRESENTATIVE MUST VERIFY SUITABILITY OF DETAILS.

705-2C

CCW-705
HORIZONTAL INSTALLATION

CARLISLE
COATINGS & WATERPROOFING

© 2016 CARLISLE CORPORATION



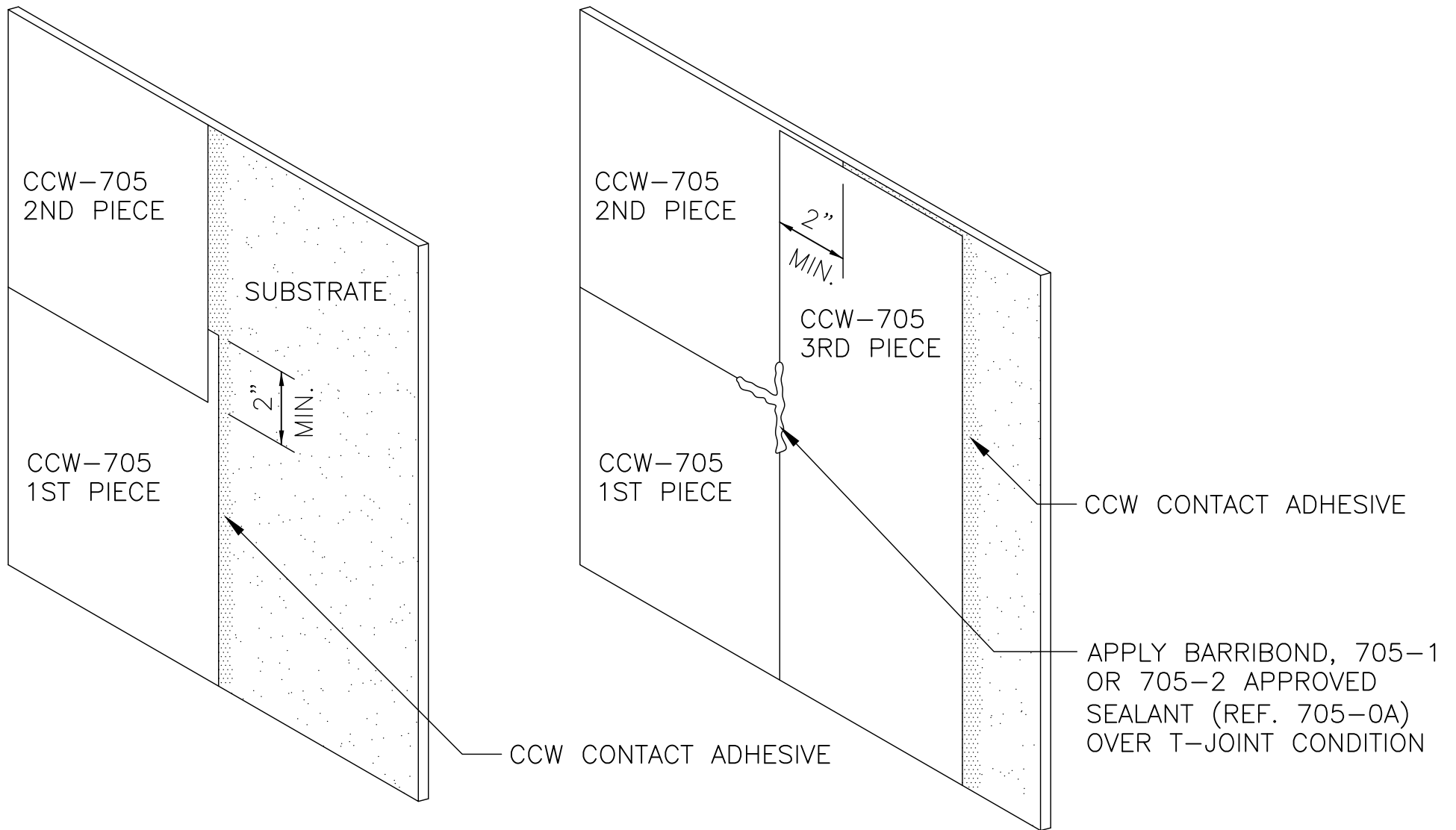
AS A MANUFACTURER OF CONSTRUCTION MATERIALS,
CARLISLE, DOES NOT ASSUME RESPONSIBILITY FOR ERRORS
IN DESIGN OR ENGINEERING. ARCHITECT OR OWNERS
REPRESENTATIVE MUST VERIFY SUITABILITY OF DETAILS.

705-2D

CCW-705
HORIZONTAL T JOINTS

CARLISLE
COATINGS & WATERPROOFING

© 2016 CARLISLE CORPORATION



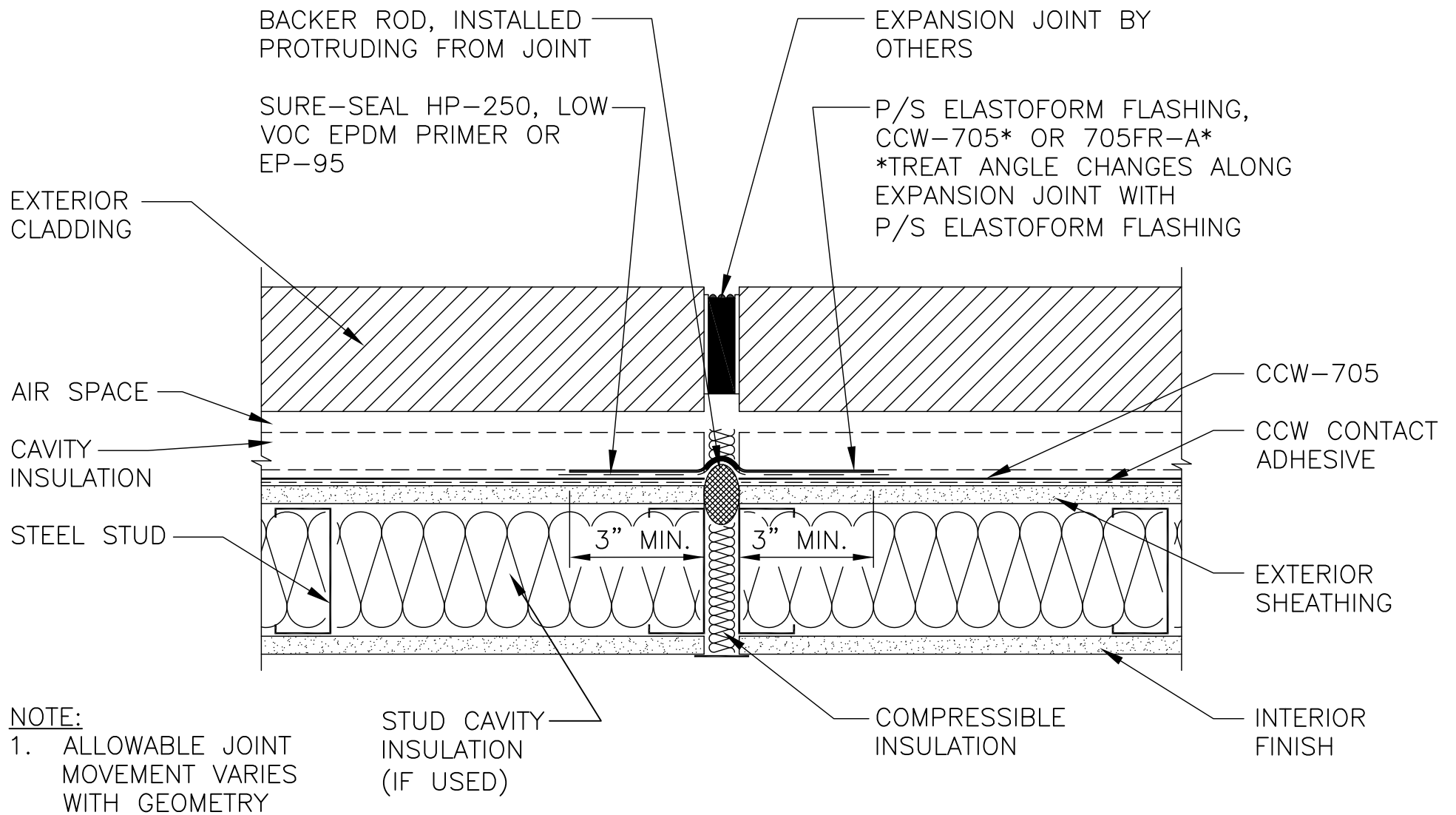
AS A MANUFACTURER OF CONSTRUCTION MATERIALS,
CARLISLE, DOES NOT ASSUME RESPONSIBILITY FOR ERRORS
IN DESIGN OR ENGINEERING. ARCHITECT OR OWNERS
REPRESENTATIVE MUST VERIFY SUITABILITY OF DETAILS.

705-2E

CCW-705
VERTICAL T JOINTS

CARLISLE
COATINGS & WATERPROOFING

© 2016 CARLISLE CORPORATION



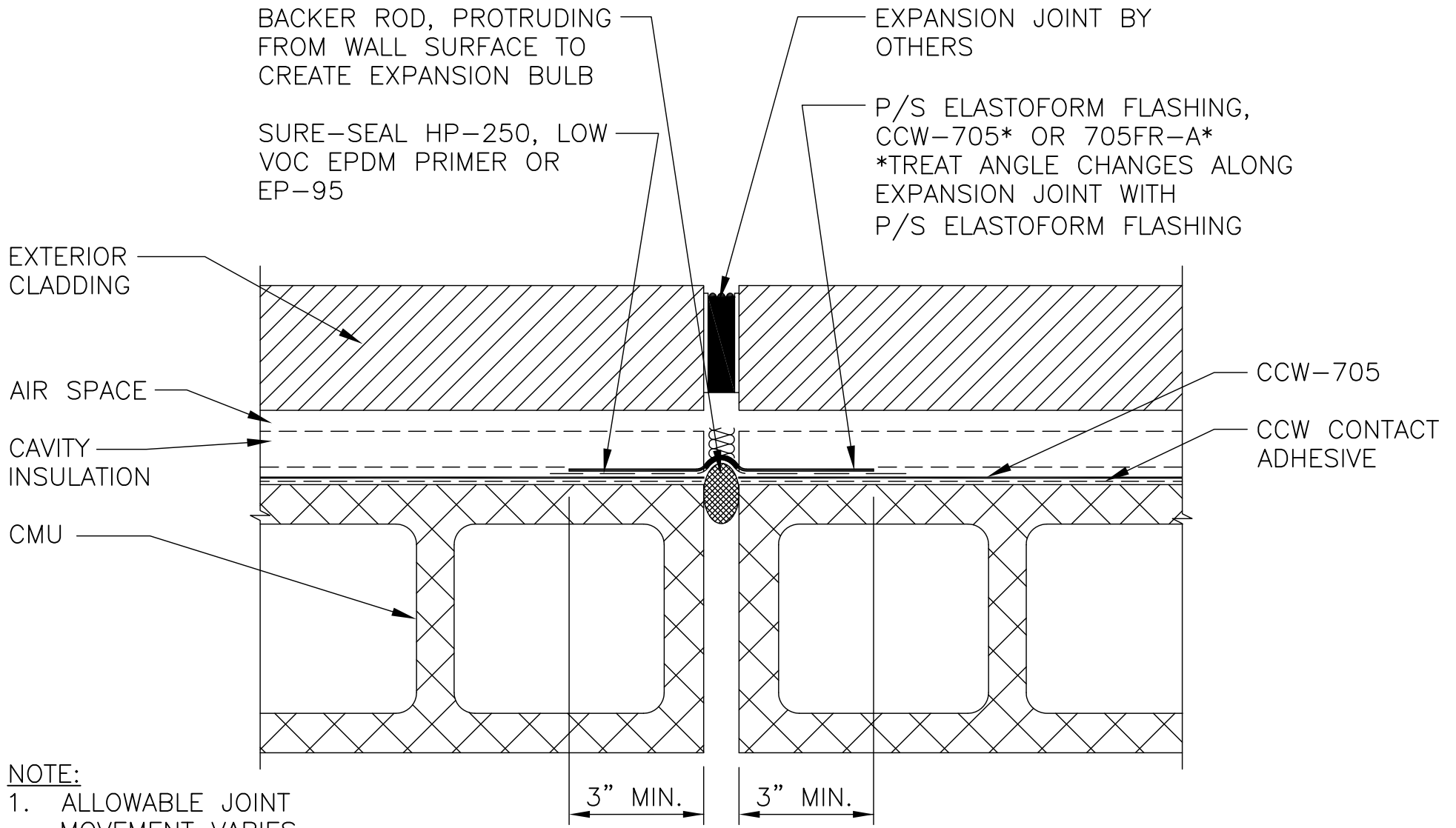
AS A MANUFACTURER OF CONSTRUCTION MATERIALS, CARLISLE, DOES NOT ASSUME RESPONSIBILITY FOR ERRORS IN DESIGN OR ENGINEERING. ARCHITECT OR OWNERS REPRESENTATIVE MUST VERIFY SUITABILITY OF DETAILS.

705-3A

GYPSUM SHEATHING
VERTICAL EXPANSION JOINT



© 2016 CARLISLE CORPORATION



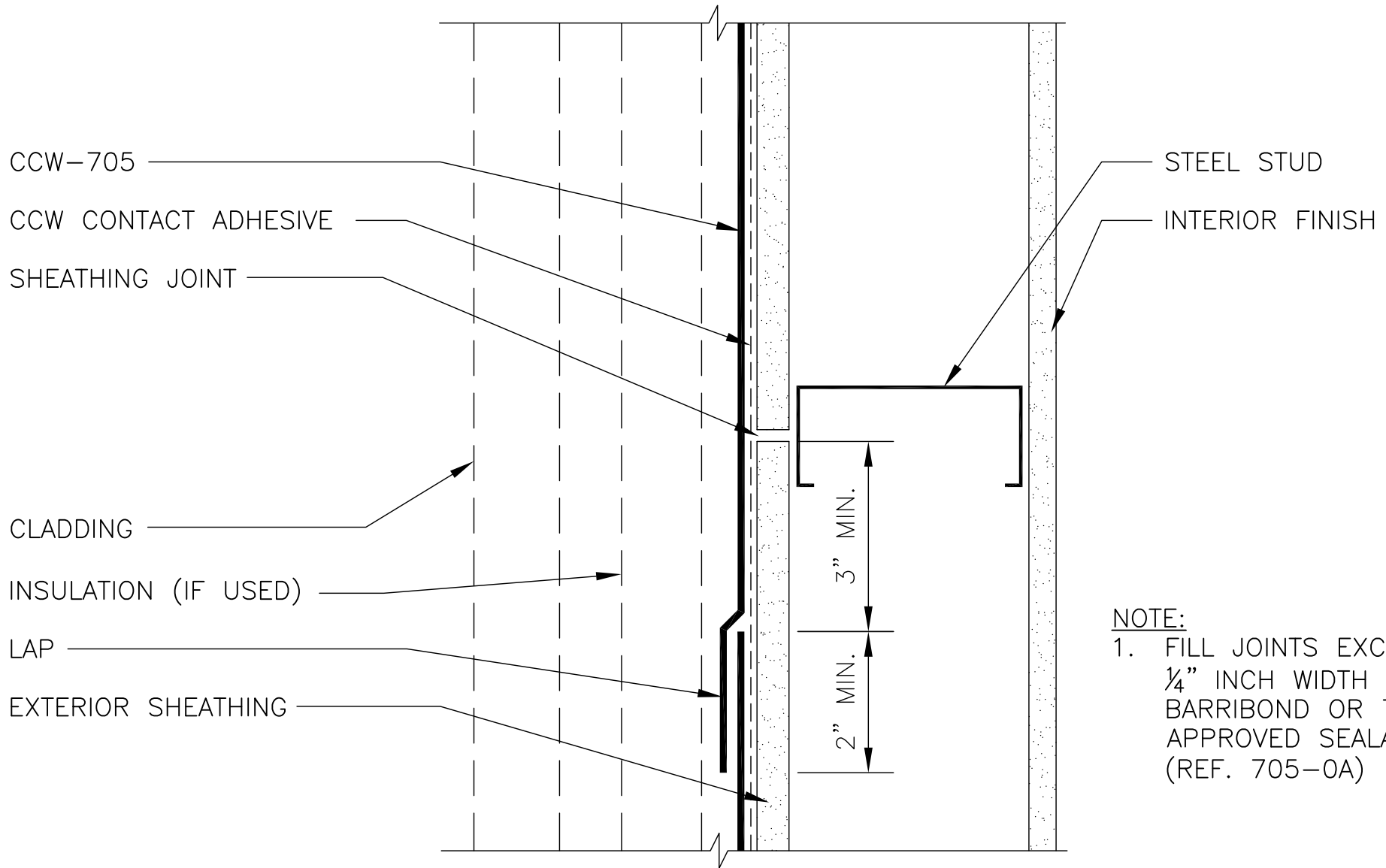
NOTE:
 1. ALLOWABLE JOINT MOVEMENT VARIES WITH GEOMETRY

AS A MANUFACTURER OF CONSTRUCTION MATERIALS, CARLISLE, DOES NOT ASSUME RESPONSIBILITY FOR ERRORS IN DESIGN OR ENGINEERING. ARCHITECT OR OWNERS REPRESENTATIVE MUST VERIFY SUITABILITY OF DETAILS.

705-3B

CCW-705
 CMU EXPANSION JOINT





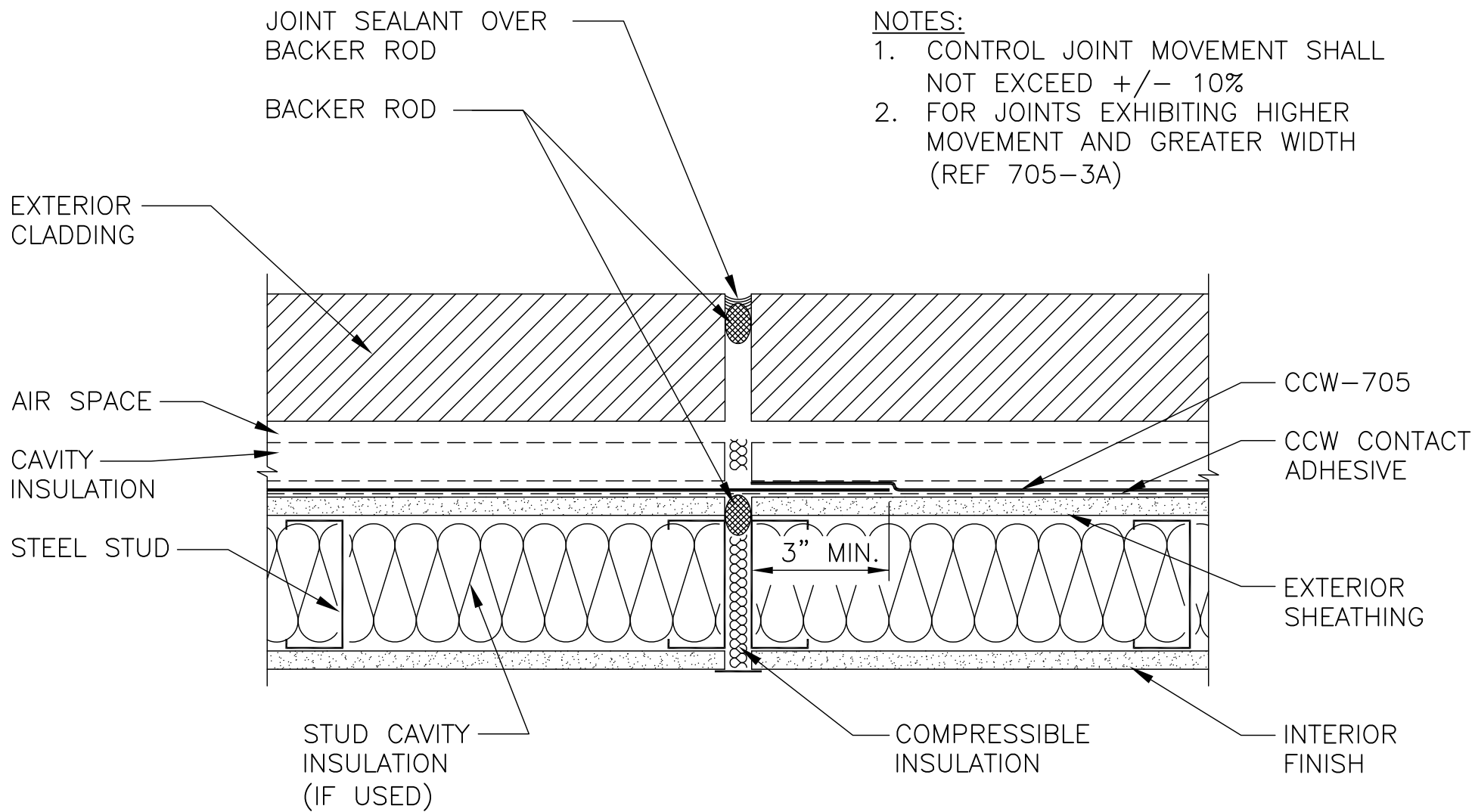
NOTE:
 1. FILL JOINTS EXCEEDING ¼" INCH WIDTH WITH BARRIBOND OR 705-1 APPROVED SEALANT (REF. 705-0A)

AS A MANUFACTURER OF CONSTRUCTION MATERIALS, CARLISLE, DOES NOT ASSUME RESPONSIBILITY FOR ERRORS IN DESIGN OR ENGINEERING. ARCHITECT OR OWNERS REPRESENTATIVE MUST VERIFY SUITABILITY OF DETAILS.

705-4A

CCW-705 EXTERIOR SHEATHING JOINTS





NOTES:

1. CONTROL JOINT MOVEMENT SHALL NOT EXCEED $\pm 10\%$
2. FOR JOINTS EXHIBITING HIGHER MOVEMENT AND GREATER WIDTH (REF 705-3A)

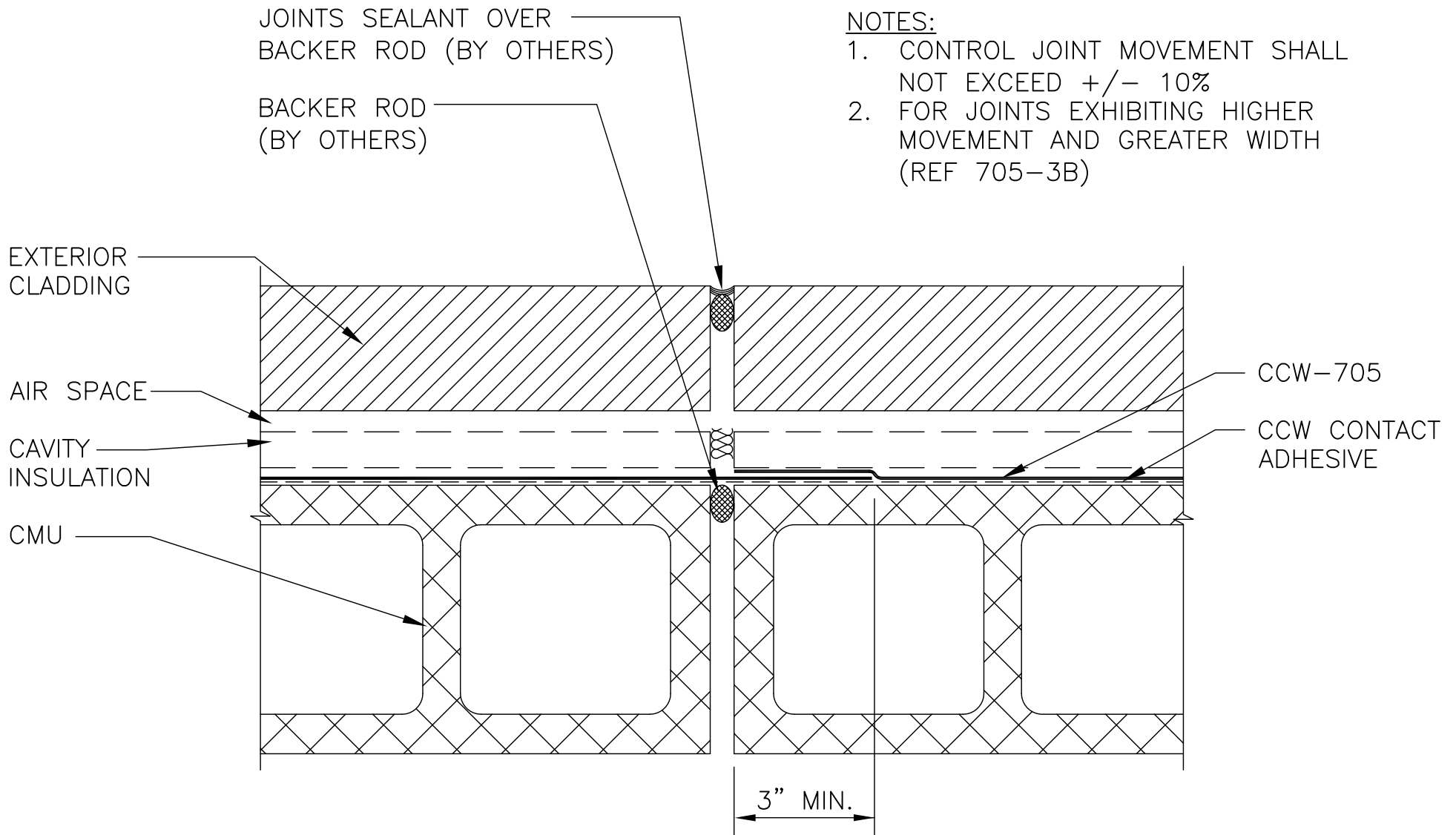
AS A MANUFACTURER OF CONSTRUCTION MATERIALS, CARLISLE, DOES NOT ASSUME RESPONSIBILITY FOR ERRORS IN DESIGN OR ENGINEERING. ARCHITECT OR OWNERS REPRESENTATIVE MUST VERIFY SUITABILITY OF DETAILS.

705-4B

EXTERIOR SHEATHING
VERTICAL CONTROL JOINT



© 2016 CARLISLE CORPORATION



AS A MANUFACTURER OF CONSTRUCTION MATERIALS, CARLISLE, DOES NOT ASSUME RESPONSIBILITY FOR ERRORS IN DESIGN OR ENGINEERING. ARCHITECT OR OWNERS REPRESENTATIVE MUST VERIFY SUITABILITY OF DETAILS.

705-4C

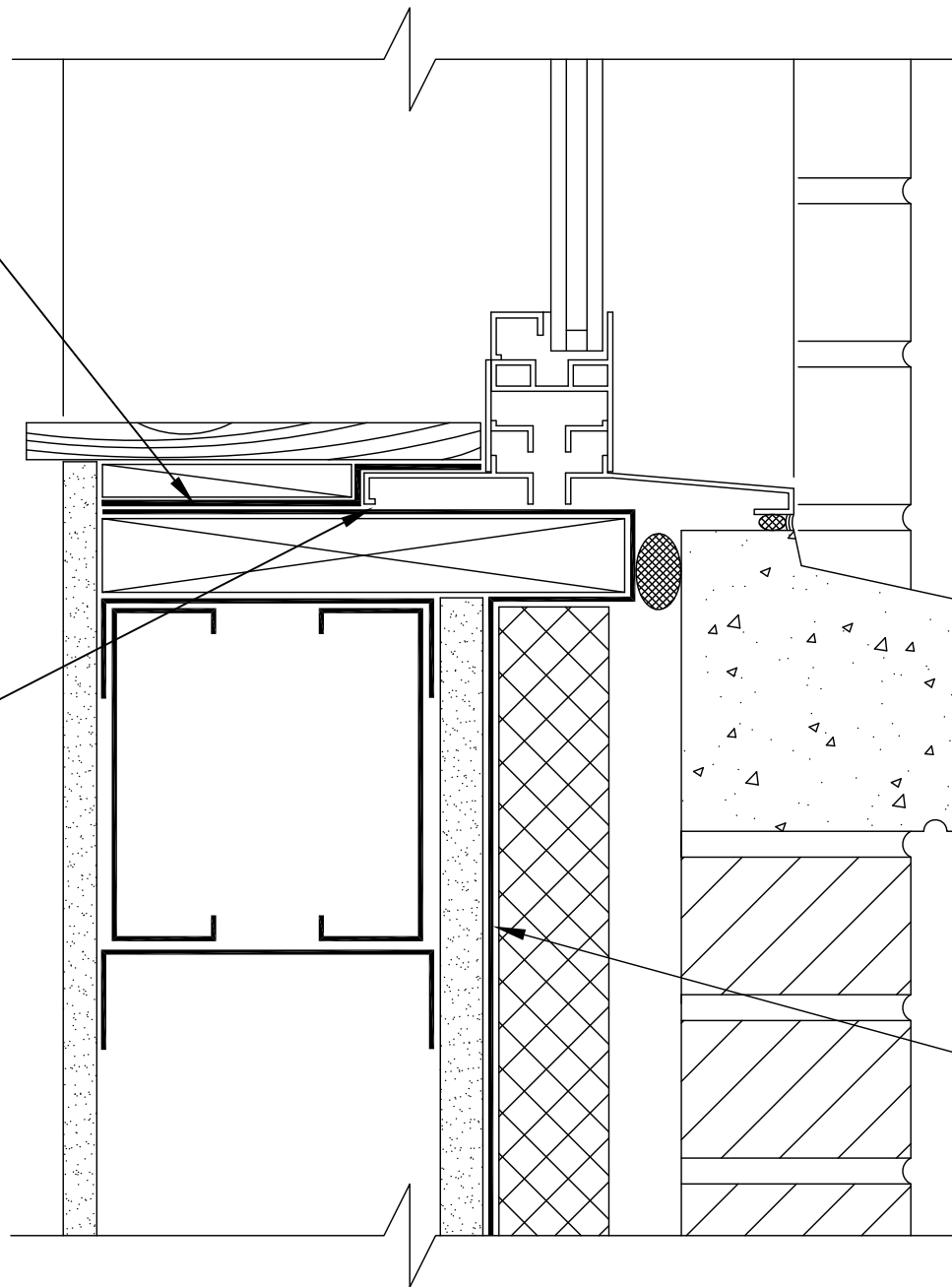
CCW-705
 CMU CONTROL JOINT



© 2016 CARLISLE CORPORATION

CCW-705

FILL GAPS
> 1/4"



NOTES:

1. PREPARE ALL SURFACES ACCEPTING CCW-705 WITH CCW CONTACT ADHESIVE

CCW-705

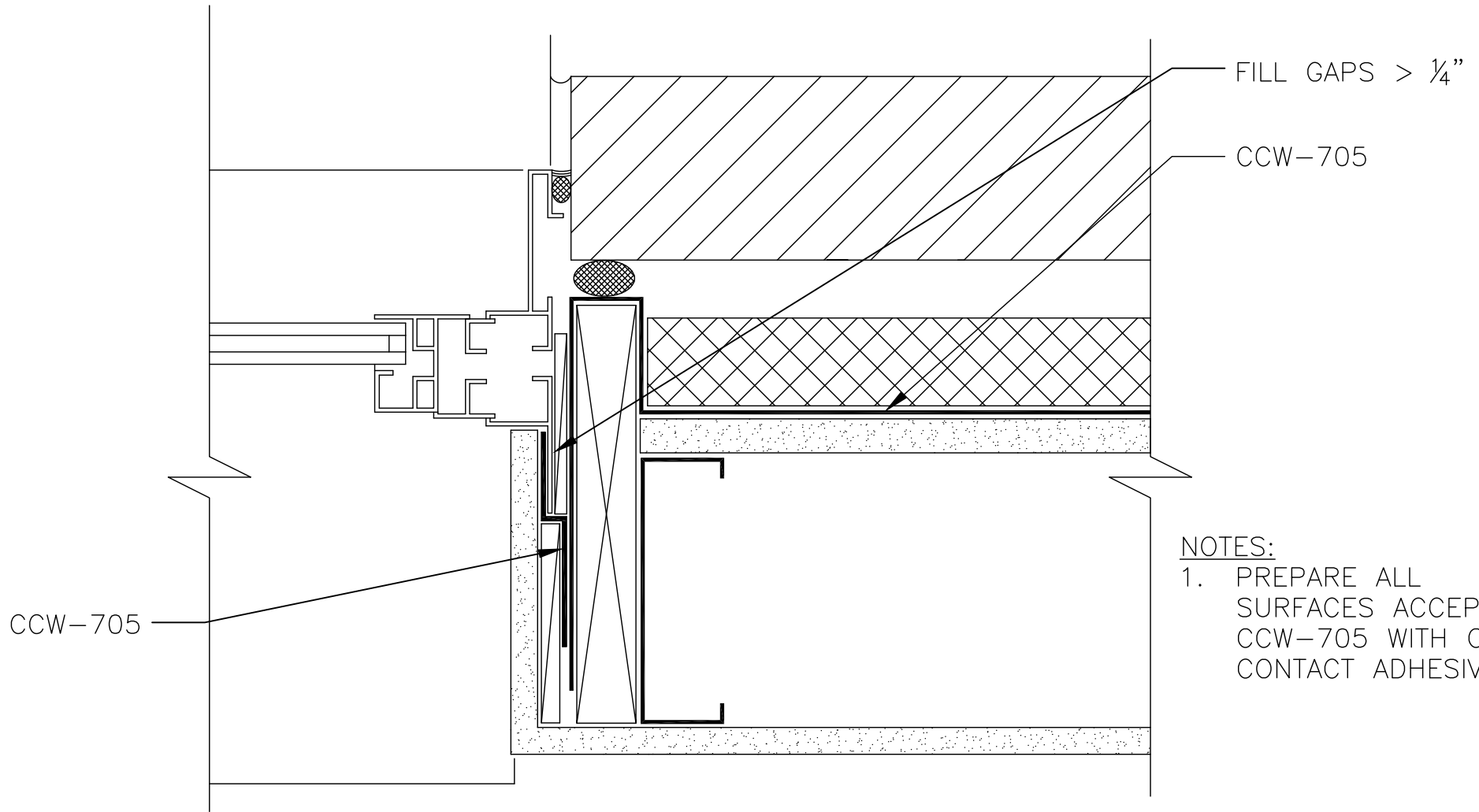
AS A MANUFACTURER OF CONSTRUCTION MATERIALS, CARLISLE, DOES NOT ASSUME RESPONSIBILITY FOR ERRORS IN DESIGN OR ENGINEERING. ARCHITECT OR OWNERS REPRESENTATIVE MUST VERIFY SUITABILITY OF DETAILS.

705-5A.1

CCW-705 PUNCHED WINDOW - SILL
INTERIOR AIR SEAL WITH FLASHING

CARLISLE
COATINGS & WATERPROOFING

© 2016 CARLISLE CORPORATION



- NOTES:
1. PREPARE ALL SURFACES ACCEPTING CCW-705 WITH CCW CONTACT ADHESIVE

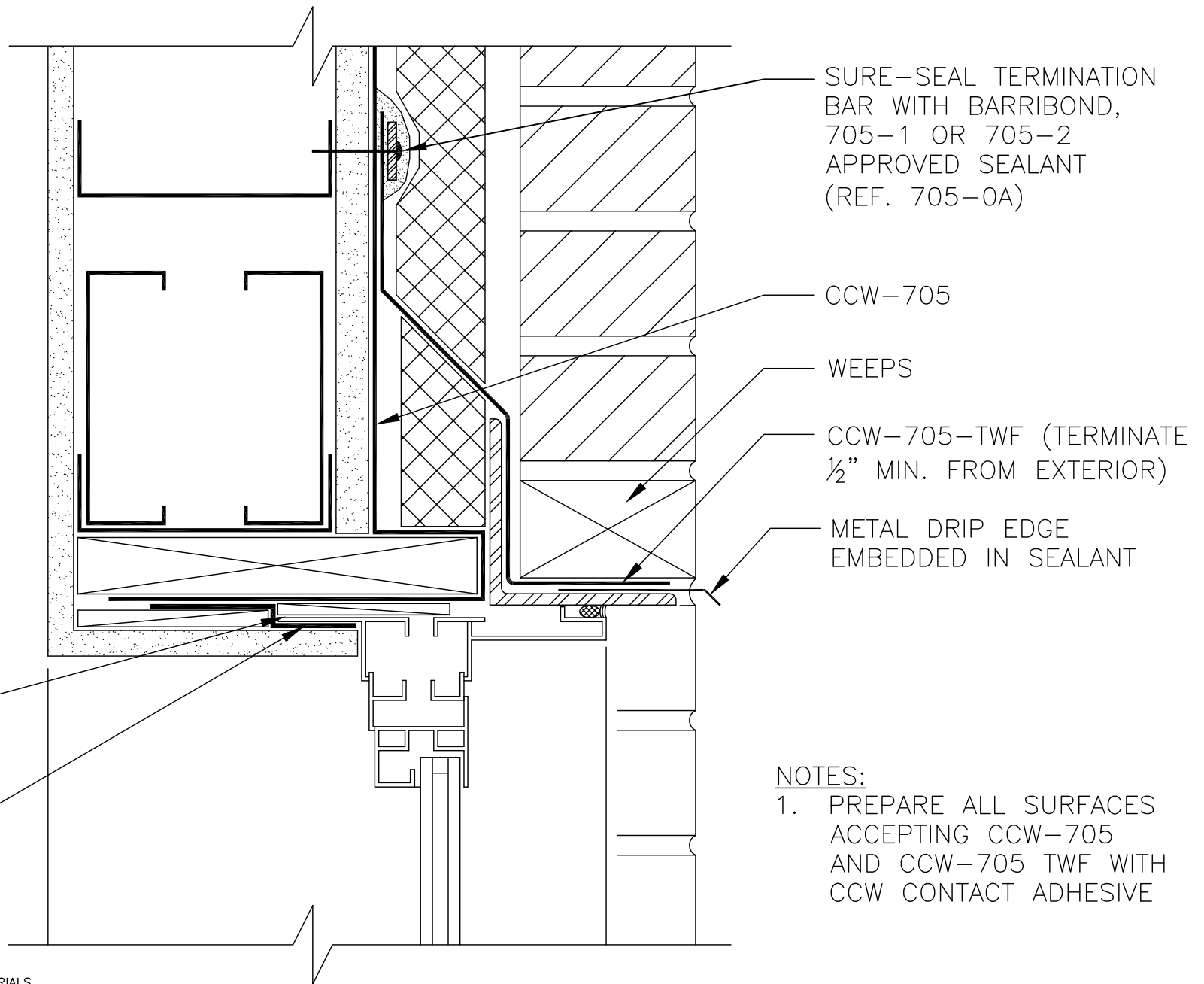
AS A MANUFACTURER OF CONSTRUCTION MATERIALS, CARLISLE, DOES NOT ASSUME RESPONSIBILITY FOR ERRORS IN DESIGN OR ENGINEERING. ARCHITECT OR OWNERS REPRESENTATIVE MUST VERIFY SUITABILITY OF DETAILS.

705-5A.2

CCW-705 PUNCHED WINDOW - JAMB
INTERIOR AIR SEAL WITH FLASHING

CARLISLE
COATINGS & WATERPROOFING

© 2016 CARLISLE CORPORATION



AS A MANUFACTURER OF CONSTRUCTION MATERIALS, CARLISLE, DOES NOT ASSUME RESPONSIBILITY FOR ERRORS IN DESIGN OR ENGINEERING. ARCHITECT OR OWNERS REPRESENTATIVE MUST VERIFY SUITABILITY OF DETAILS.

705-5A.3

CCW-705 PUNCHED WINDOW - HEAD
 INTERIOR AIR SEAL WITH FLASHING

CARLISLE
 COATINGS & WATERPROOFING

© 2016 CARLISLE CORPORATION

BARRIBOND, 705-1
OR 705-2
APPROVED SEALANT
(REF. 705-0A)

ARCHITECTURAL SEALANT
DO NOT BLOCK WEEPS

METAL PAN FLASHING

NOTES:

1. PREPARE ALL SURFACES ACCEPTING CCW-705 WITH CCW CONTACT ADHESIVE

CCW-705

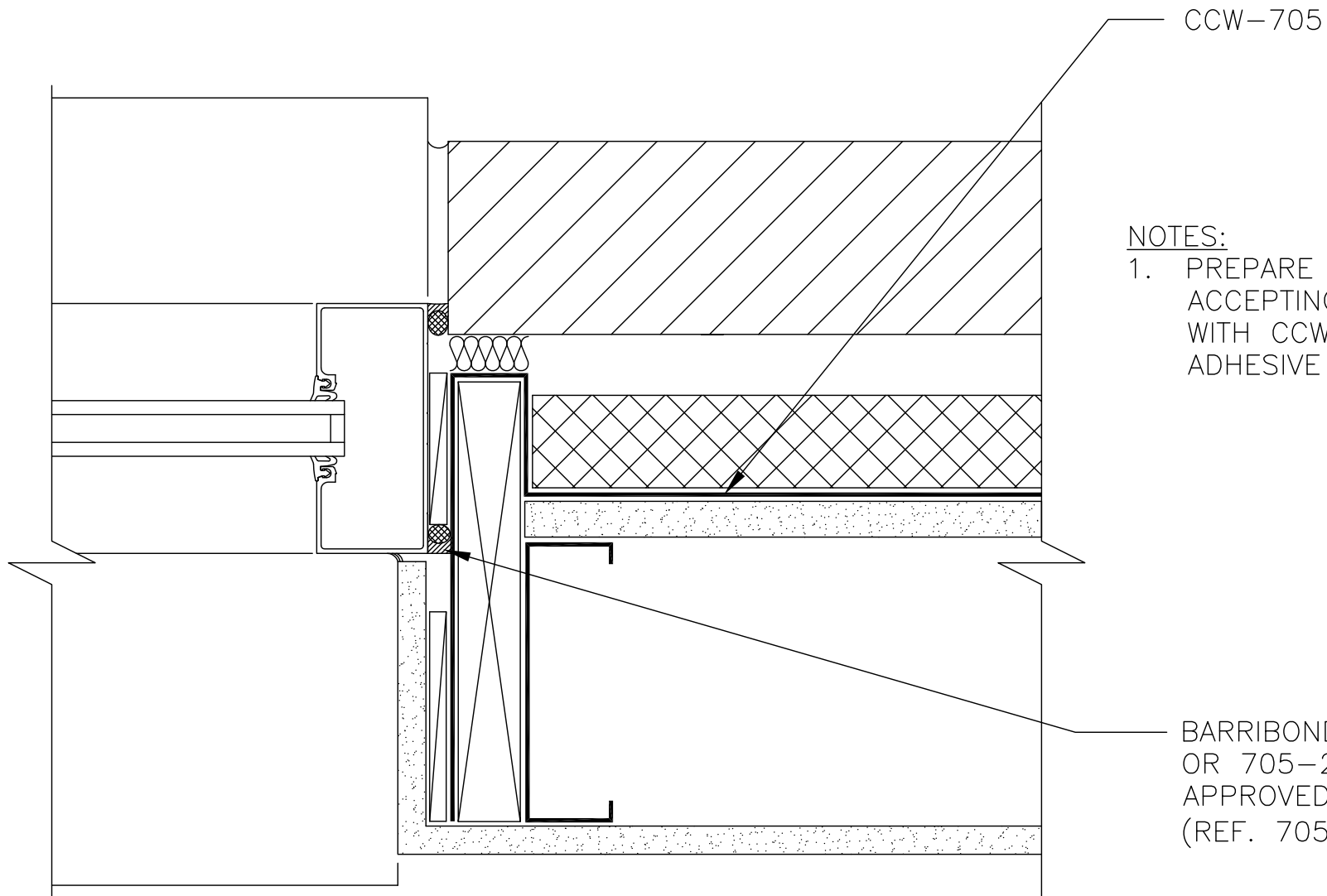
AS A MANUFACTURER OF CONSTRUCTION MATERIALS, CARLISLE, DOES NOT ASSUME RESPONSIBILITY FOR ERRORS IN DESIGN OR ENGINEERING. ARCHITECT OR OWNERS REPRESENTATIVE MUST VERIFY SUITABILITY OF DETAILS.

705-5B.1

CCW-705
PUNCHED WINDOW - SILL

CARLISLE
COATINGS & WATERPROOFING

© 2016 CARLISLE CORPORATION



NOTES:

1. PREPARE ALL SURFACES ACCEPTING CCW-705 WITH CCW CONTACT ADHESIVE

BARRIBOND, 705-1
OR 705-2
APPROVED SEALANT
(REF. 705-0A)

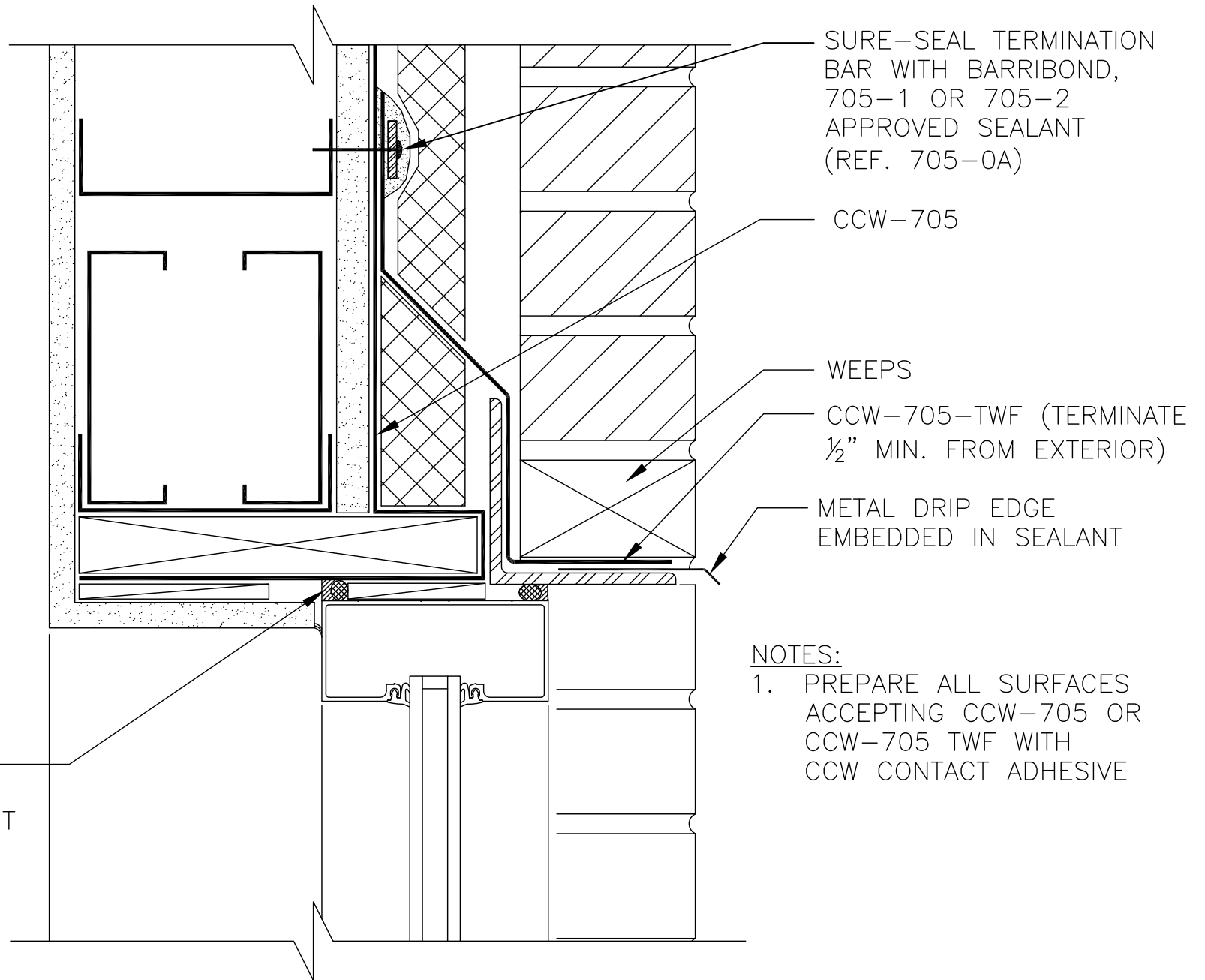
AS A MANUFACTURER OF CONSTRUCTION MATERIALS,
CARLISLE, DOES NOT ASSUME RESPONSIBILITY FOR ERRORS
IN DESIGN OR ENGINEERING. ARCHITECT OR OWNERS
REPRESENTATIVE MUST VERIFY SUITABILITY OF DETAILS.

705-5B.2

CCW-705
PUNCHED WINDOW — JAMB

CARLISLE
COATINGS & WATERPROOFING

© 2016 CARLISLE CORPORATION



BARRIBOND,
705-1 OR 705-2
APPROVED SEALANT
(REF. 705-0A)

- NOTES:**
1. PREPARE ALL SURFACES ACCEPTING CCW-705 OR CCW-705 TWF WITH CCW CONTACT ADHESIVE

AS A MANUFACTURER OF CONSTRUCTION MATERIALS, CARLISLE, DOES NOT ASSUME RESPONSIBILITY FOR ERRORS IN DESIGN OR ENGINEERING. ARCHITECT OR OWNERS REPRESENTATIVE MUST VERIFY SUITABILITY OF DETAILS.

705-5B.3

CCW-705
PUNCHED WINDOW - HEAD

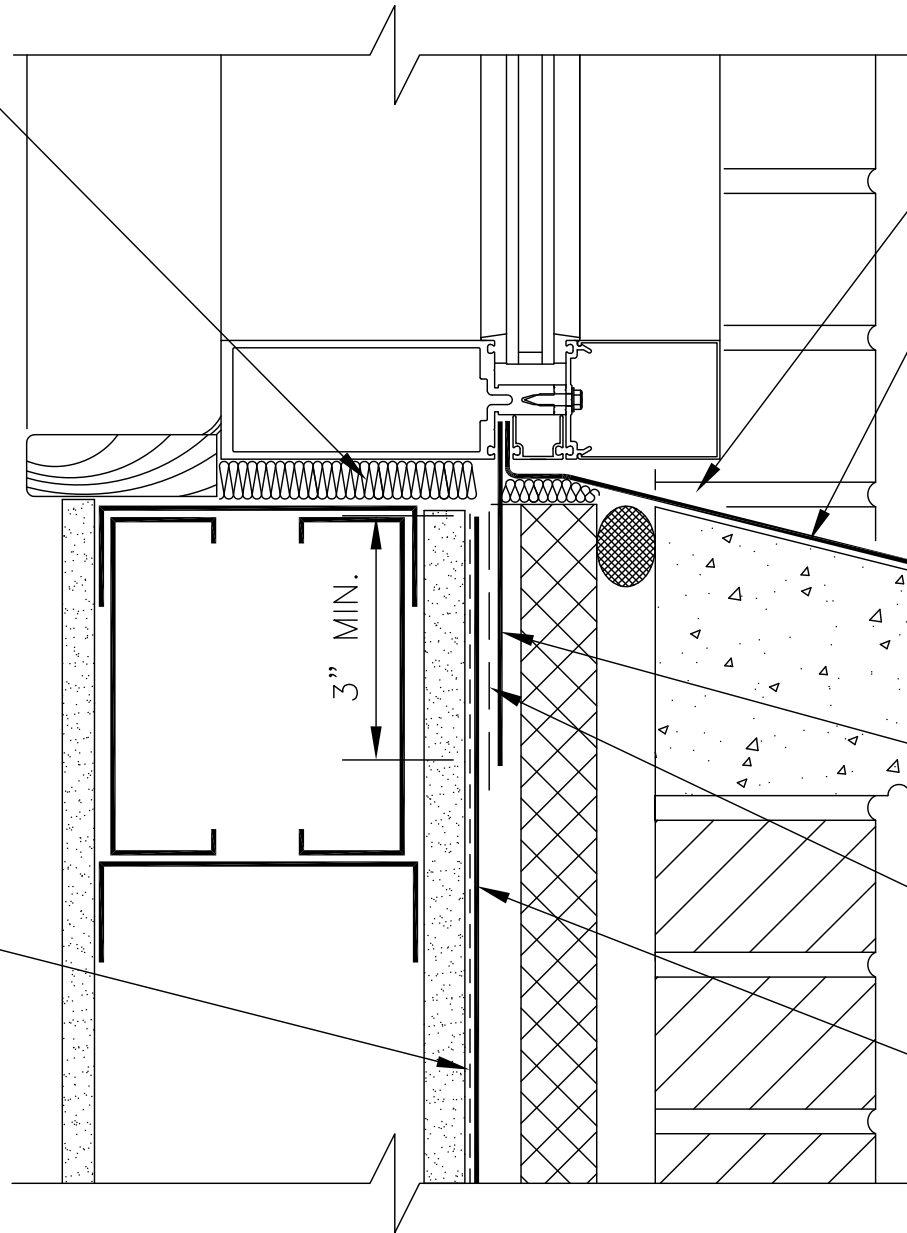


LOOSE FILL OR
FOAM INSULATION

NOTES:

1. P/S ELASTOFORM FLASHING SHALL HAVE MINIMUM 3" FIRM BEARING ONTO WALL SURFACE
2. FILL GAP BETWEEN WINDOW AND WALL EXCEEDING 1" WITH BACKER ROD OR SPRAY FOAM SHAVED FLUSH

CCW CONTACT
ADHESIVE



ARCHITECTURAL SEALANT
DO NOT BLOCK WEEPS

METAL PAN FLASHING

P/S ELASTOFORM
FLASHING

EP-95, HP-250
PRIMER OR LOW
VOC EPDM PRIMER

CCW-705

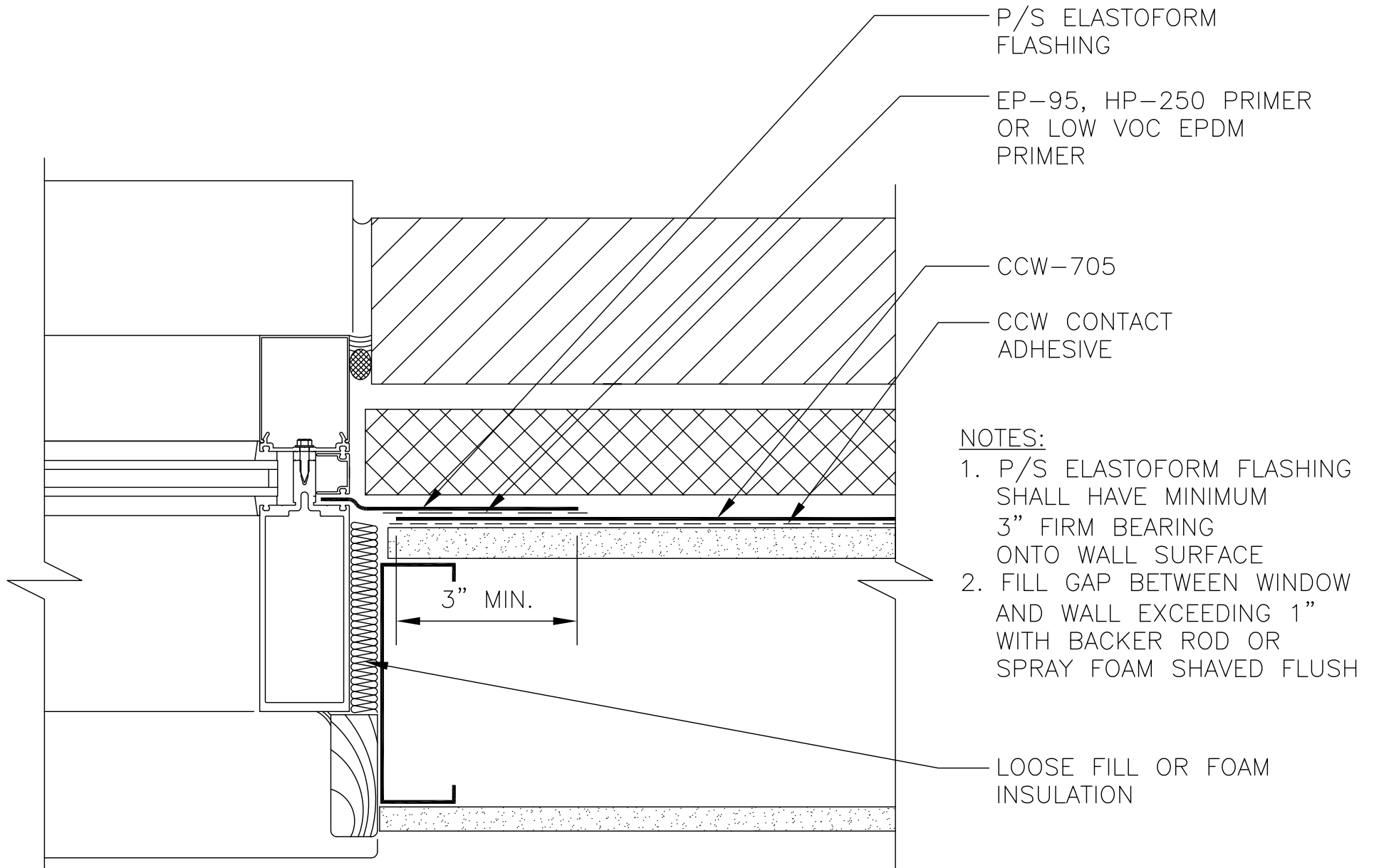
AS A MANUFACTURER OF CONSTRUCTION MATERIALS,
CARLISLE, DOES NOT ASSUME RESPONSIBILITY FOR ERRORS
IN DESIGN OR ENGINEERING. ARCHITECT OR OWNERS
REPRESENTATIVE MUST VERIFY SUITABILITY OF DETAILS.

705-5C.1

CCW-705
CURTAIN WALL - SILL

CARLISLE
COATINGS & WATERPROOFING

© 2016 CARLISLE CORPORATION



AS A MANUFACTURER OF CONSTRUCTION MATERIALS, CARLISLE, DOES NOT ASSUME RESPONSIBILITY FOR ERRORS IN DESIGN OR ENGINEERING. ARCHITECT OR OWNERS REPRESENTATIVE MUST VERIFY SUITABILITY OF DETAILS.

705-5C.2

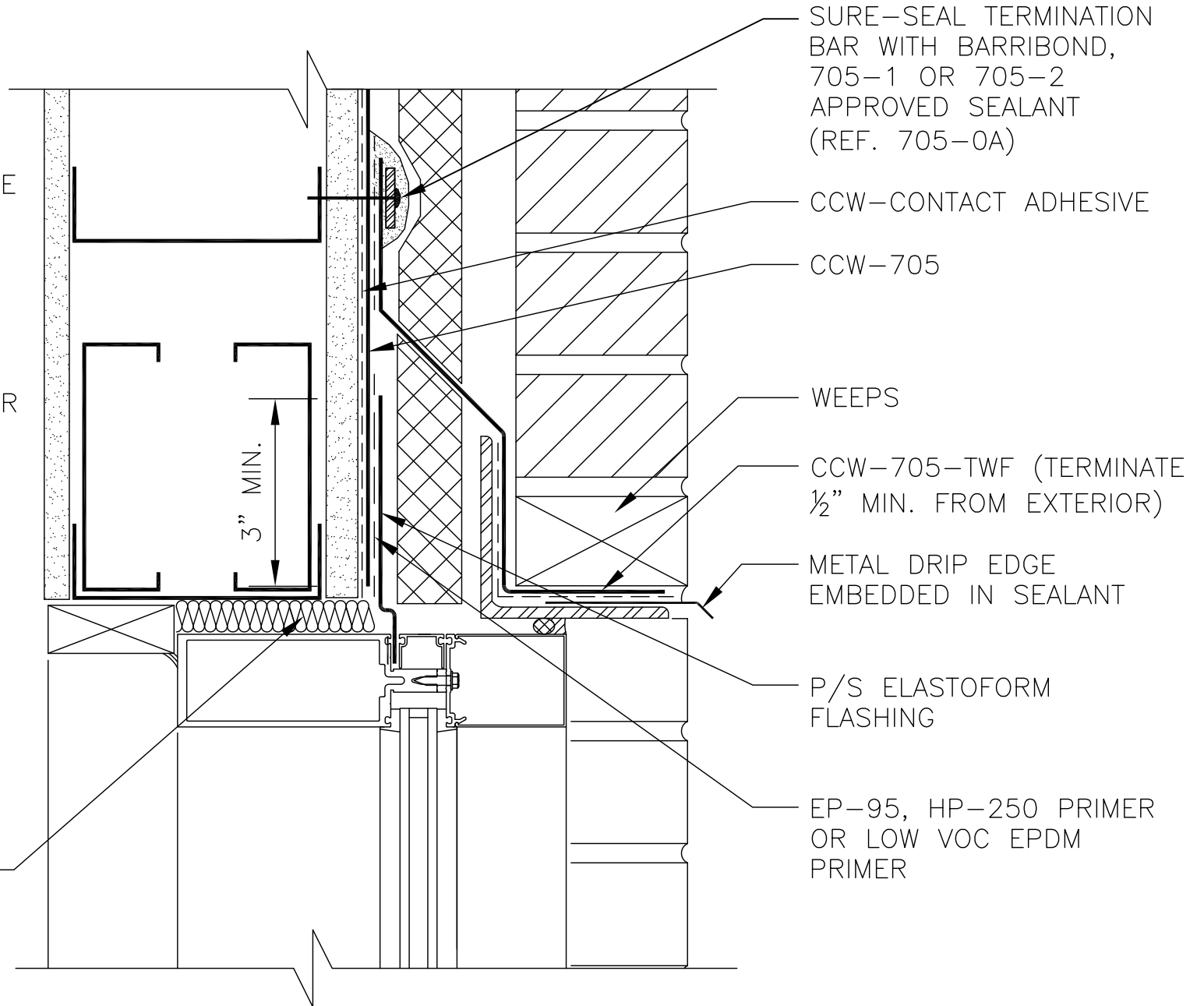
CCW-705
CURTAIN WALL - JAMB

CARLISLE
COATINGS & WATERPROOFING

© 2016 CARLISLE CORPORATION

NOTES:

1. P/S ELASTOFORM FLASHING SHALL HAVE MINIMUM 3" FIRM BEARING ONTO WALL SURFACE
2. FILL GAP BETWEEN WINDOW AND WALL EXCEEDING 1" WITH BACKER ROD OR SPRAY FOAM SHAVED FLUSH



LOOSE FILL OR
FOAM INSULATION

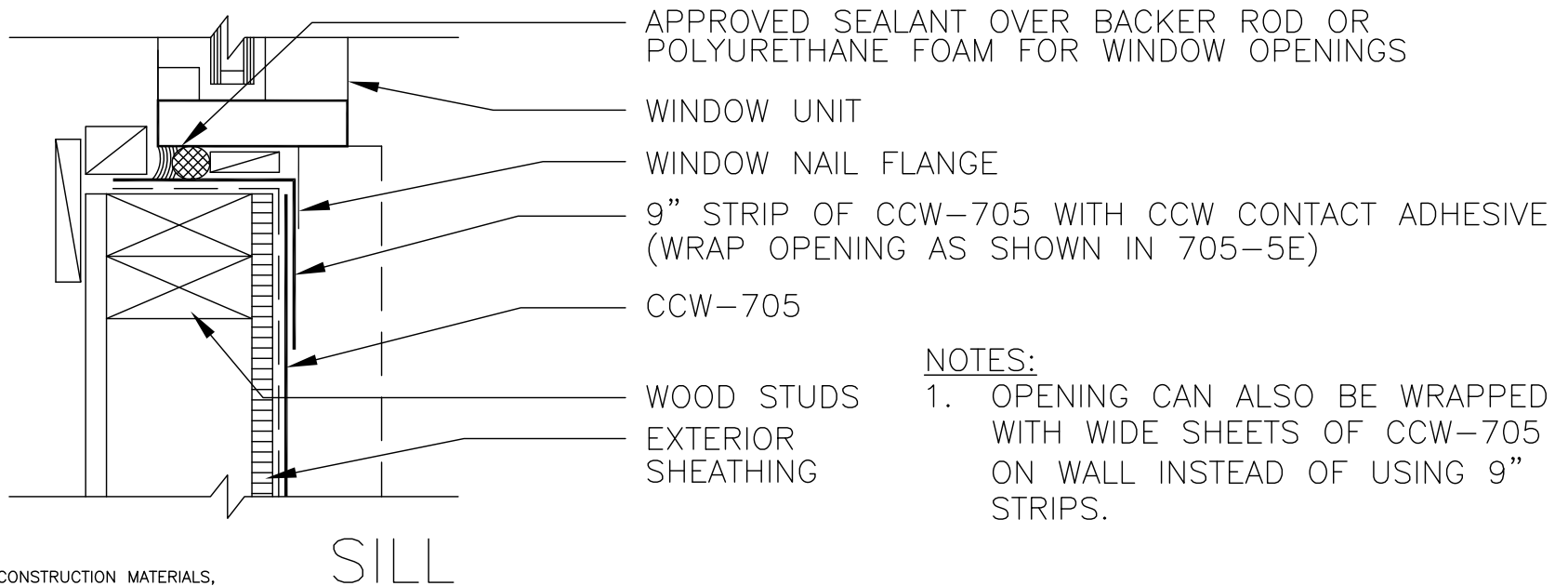
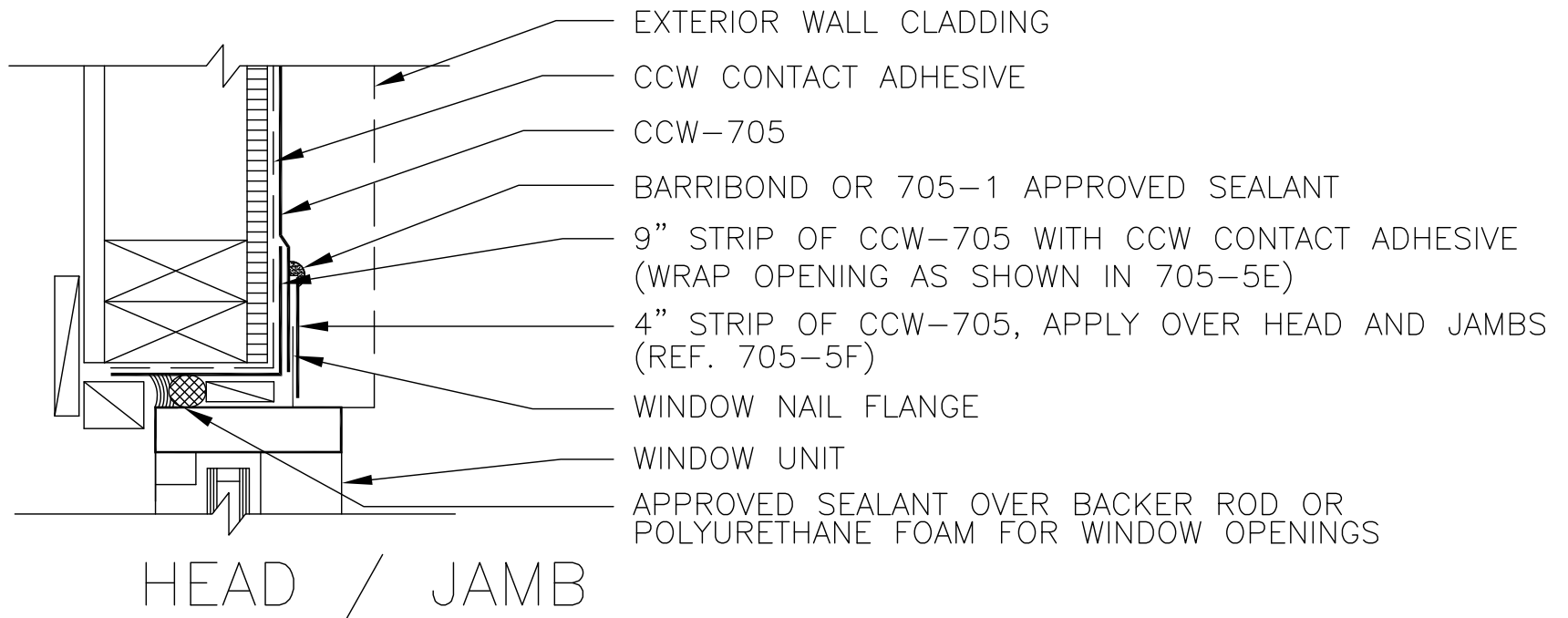
AS A MANUFACTURER OF CONSTRUCTION MATERIALS, CARLISLE, DOES NOT ASSUME RESPONSIBILITY FOR ERRORS IN DESIGN OR ENGINEERING. ARCHITECT OR OWNERS REPRESENTATIVE MUST VERIFY SUITABILITY OF DETAILS.

705-5C.3

CCW-705
CURTAIN WALL - HEAD

CARLISLE
COATINGS & WATERPROOFING

© 2016 CARLISLE CORPORATION



NOTES:

1. OPENING CAN ALSO BE WRAPPED WITH WIDE SHEETS OF CCW-705 ON WALL INSTEAD OF USING 9" STRIPS.

AS A MANUFACTURER OF CONSTRUCTION MATERIALS, CARLISLE, DOES NOT ASSUME RESPONSIBILITY FOR ERRORS IN DESIGN OR ENGINEERING. ARCHITECT OR OWNERS REPRESENTATIVE MUST VERIFY SUITABILITY OF DETAILS.

705-5D

WINDOW FLANGE DETAIL
WOOD STUD & SHEATHING

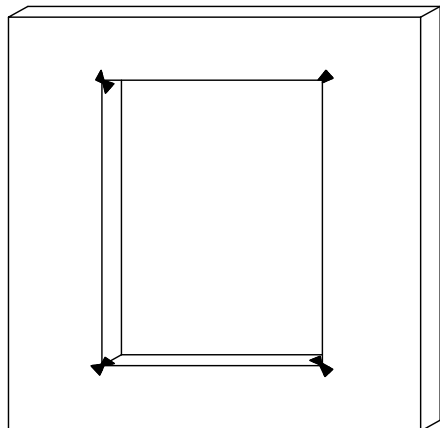


© 2016 CARLISLE CORPORATION

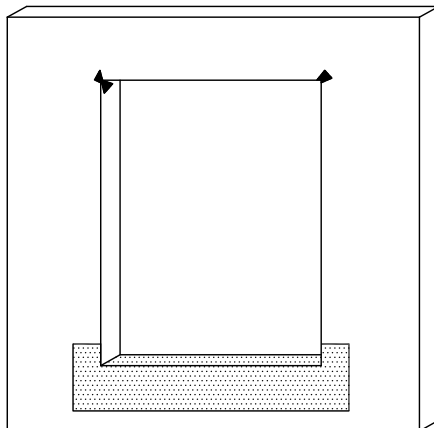
NOTES:

1. SURFACES SHALL BE CLEAN AND DRY AND PRIMED WITH CCW-CONTACT ADHESIVE.
2. FLASHING SHALL BE A MINIMUM OF 9" WIDE. THE FLASHING SHALL WRAP INTO WINDOW OPENING GREATER THAN THE DEPTH OF THE WINDOW AND OUT ONTO THE WALL A MINIMUM OF 3".
3. SEQUENCE FLASHING INSTALLATION TO PROVIDE SHINGLED OVERLAPS, OVERLAPS SHALL BE A MINIMUM OF 2".

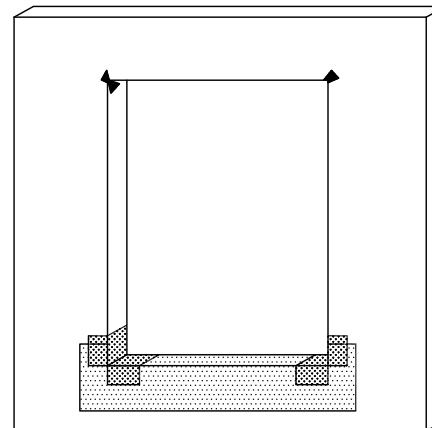
INSTALL CORNER FLASHING



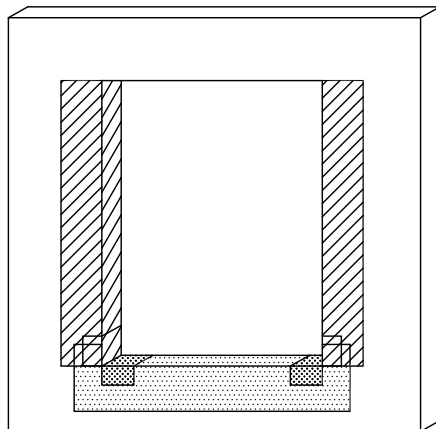
INSTALL SILL FLASHING



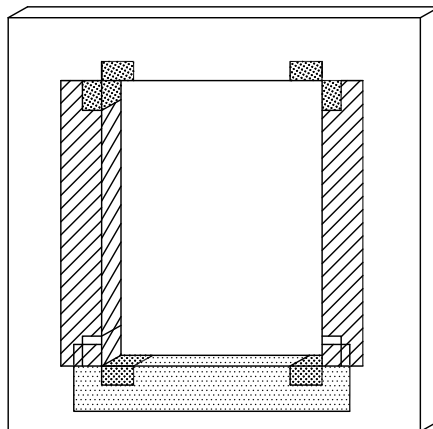
INSTALL CORNER FLASHING



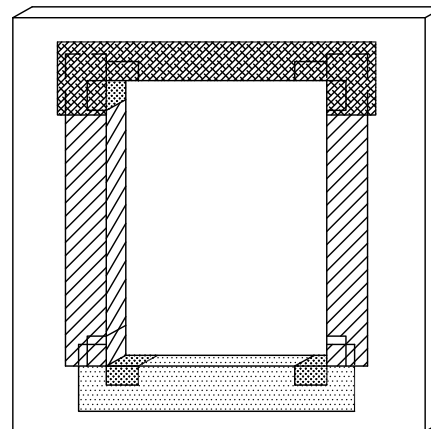
INSTALL JAMB FLASHING



INSTALL CORNER FLASHING



INSTALL HEAD FLASHING



AS A MANUFACTURER OF CONSTRUCTION MATERIALS, CARLISLE, DOES NOT ASSUME RESPONSIBILITY FOR ERRORS IN DESIGN OR ENGINEERING. ARCHITECT OR OWNERS REPRESENTATIVE MUST VERIFY SUITABILITY OF DETAILS.

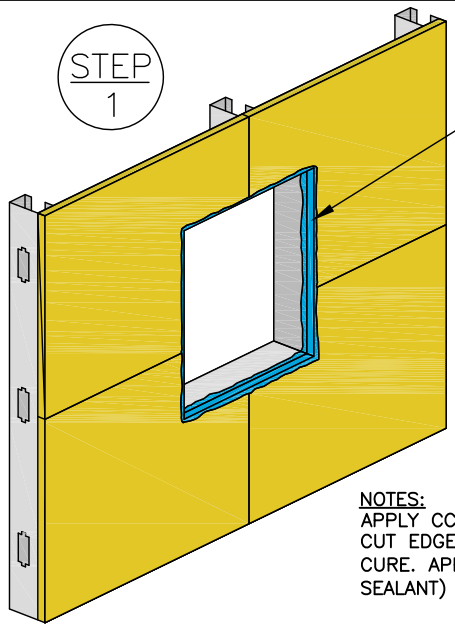
705-5E.1

WRAPPING A WINDOW OPENING



© 2016 CARLISLE CORPORATION

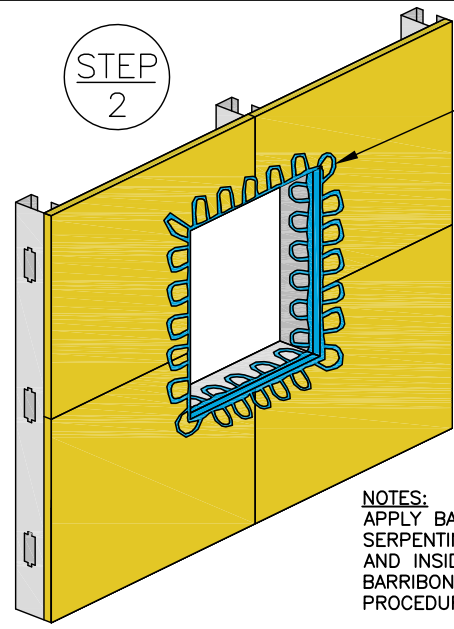
STEP 1



BARRIBOND

NOTES:
APPLY CCW CONTACT ADHESIVE TO EXPOSED CUT EDGES OF GYPSUM BOARD AND ALLOW TO CURE. APPLY BARRIBOND (OR APPROVED SEALANT) TO ROUGH OPENINGS

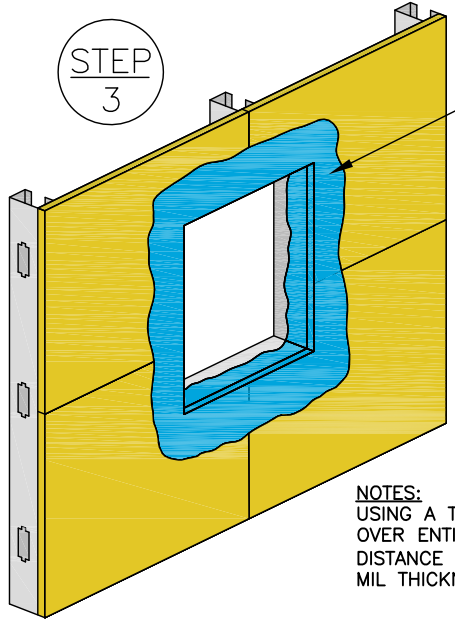
STEP 2



BARRIBOND

NOTES:
APPLY BARRIBOND TO SUBSTRATE IN A SERPENTINE FASHION AROUND FACE OF WALL AND INSIDE OF ROUGH OPENING. DO NOT ALLOW BARRIBOND TO SKIN OVER PRIOR TO TOOLING PROCEDURE DESCRIBED IN STEP 3.

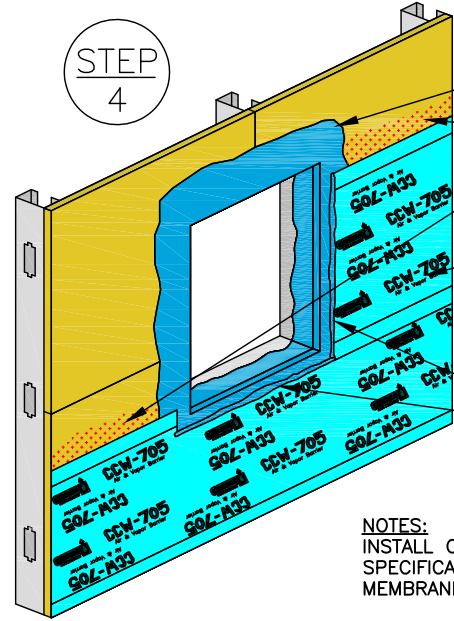
STEP 3



BARRIBOND

NOTES:
USING A TROWEL EVENLY SPREAD BARRIBOND OVER ENTIRE OPENING AND FACE OF WALL TO A DISTANCE OF 4"-6". FINISHED MINIMUM 40 WET MIL THICKNESS IS REQUIRED.

STEP 4



BARRIBOND

CCW CONTACT ADHESIVE

CCW-705

BARRIBOND OR 705-1 APPROVED SEALANT TO SEAL REVERSE LAPS AND ALL EDGES OF MEMBRANE

NOTES:
INSTALL CCW-705 PER CARLISLE SPECIFICATIONS. SEAL REVERSE LAPS IN MEMBRANE WITH BARRIBOND AS SHOWN.

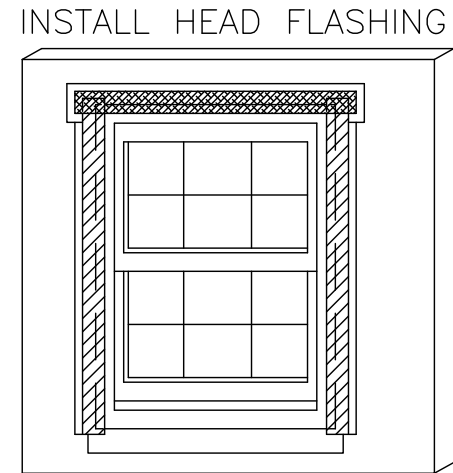
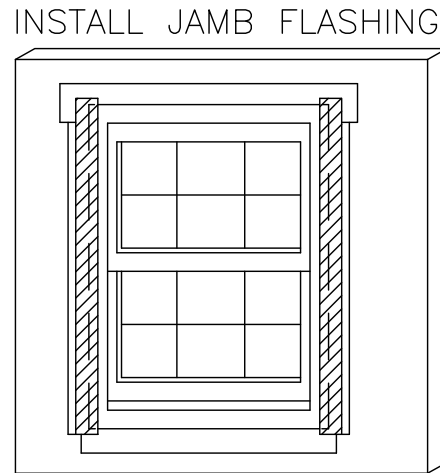
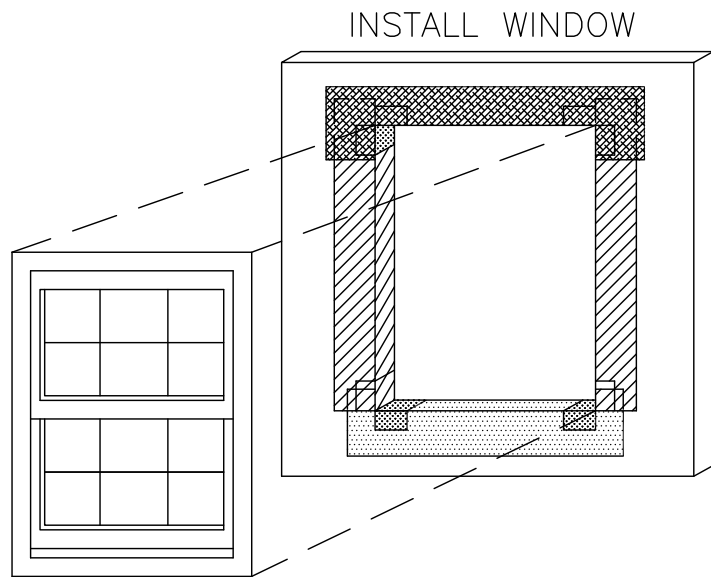
AS A MANUFACTURER OF CONSTRUCTION MATERIALS, CARLISLE, DOES NOT ASSUME RESPONSIBILITY FOR ERRORS IN DESIGN OR ENGINEERING. ARCHITECT OR OWNERS REPRESENTATIVE MUST VERIFY SUITABILITY OF DETAILS.

705-5E.2

CCW-705/ BARRIBOND AT ROUGH OPENING SILL, JAMB AND HEAD



© 2016 CARLISLE CORPORATION



NOTES:

1. SURFACES SHALL BE CLEAN AND DRY AND PRIMED WITH CCW CONTACT ADHESIVE.
2. FLASHING SHALL BE A MINIMUM OF 4" WIDE. THE FLASHING SHALL COVER WINDOW FLANGE AND LAP ONTO SHEATHING A MINIMUM OF 3".
3. SEQUENCE FLASHING INSTALLATION TO PROVIDE SHINGLE OVERLAPS. OVERLAPS SHALL BE A MINIMUM OF 2".

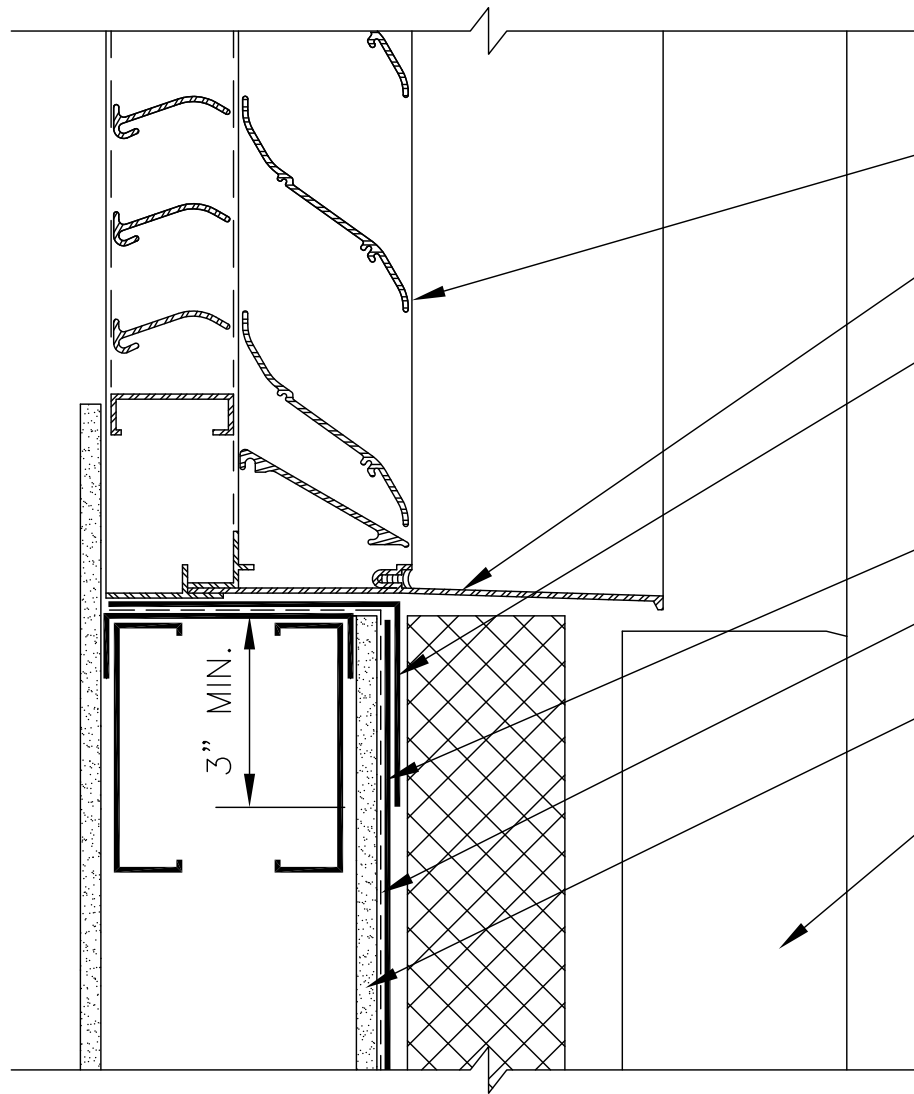
AS A MANUFACTURER OF CONSTRUCTION MATERIALS,
CARLISLE, DOES NOT ASSUME RESPONSIBILITY FOR ERRORS
IN DESIGN OR ENGINEERING. ARCHITECT OR OWNERS
REPRESENTATIVE MUST VERIFY SUITABILITY OF DETAILS.

705-5F

WINDOW FLASHING 2

CARLISLE
COATINGS & WATERPROOFING

© 2016 CARLISLE CORPORATION



- PREFINISHED ALUMINUM LOUVER
- PREFINISHED EXTRUDED ALUMINUM TRIM
- CCW-705 FLASHING AT SILL, JAMBS AND HEAD – FLASHING SHALL LAP ONTO SHEATHING MINIMUM 3”
- CCW-705
- CCW CONTACT ADHESIVE
- EXTERIOR SHEATHING
- EXTERIOR CLADDING

NOTE: SURFACES SHALL BE CLEAN, DRY AND PREPARED WITH CCW CONTACT ADHESIVE PRIOR TO CCW-705 APPLICATION.

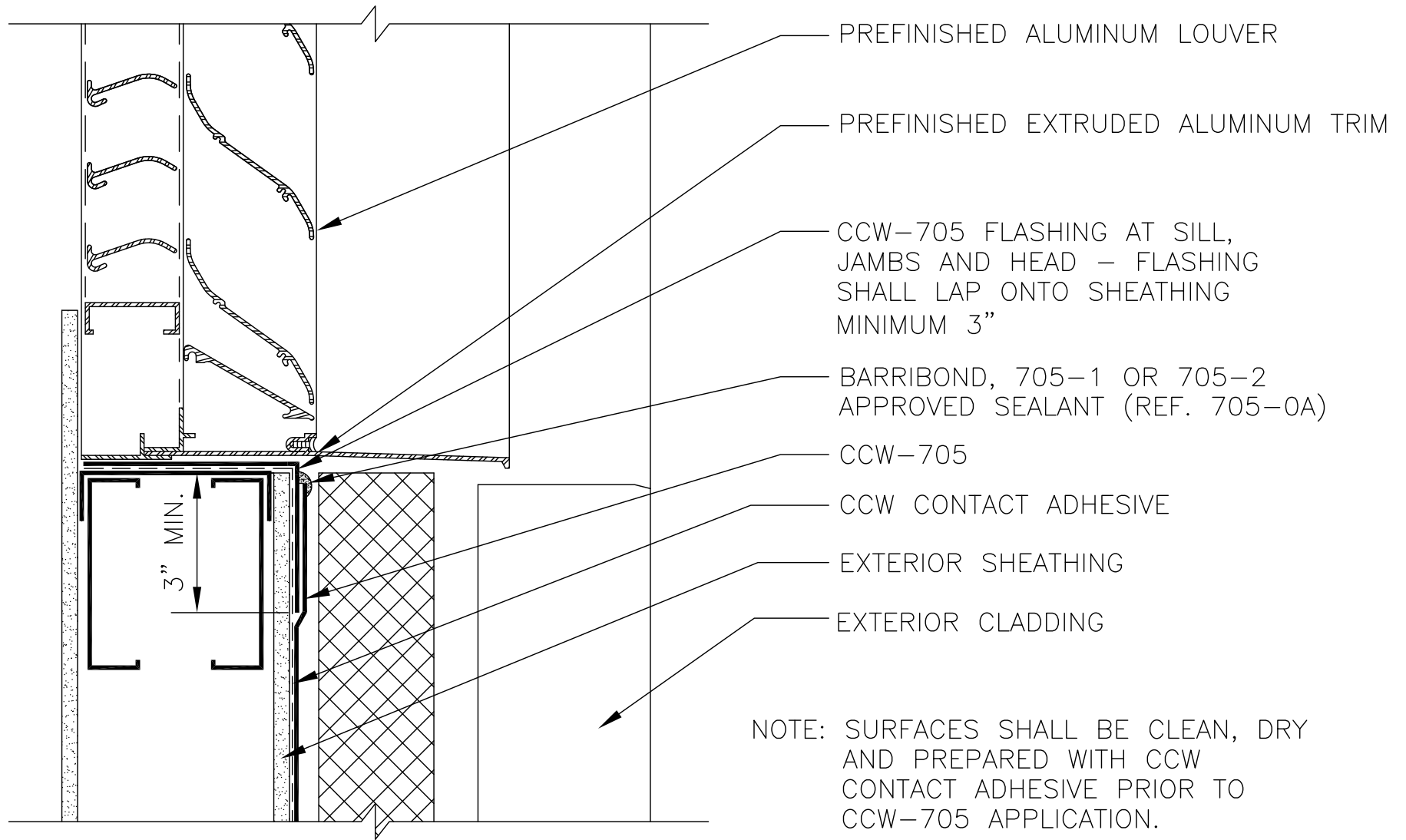
AS A MANUFACTURER OF CONSTRUCTION MATERIALS, CARLISLE, DOES NOT ASSUME RESPONSIBILITY FOR ERRORS IN DESIGN OR ENGINEERING. ARCHITECT OR OWNERS REPRESENTATIVE MUST VERIFY SUITABILITY OF DETAILS.

705-5G.1

LOUVER SILL DETAIL



© 2016 CARLISLE CORPORATION



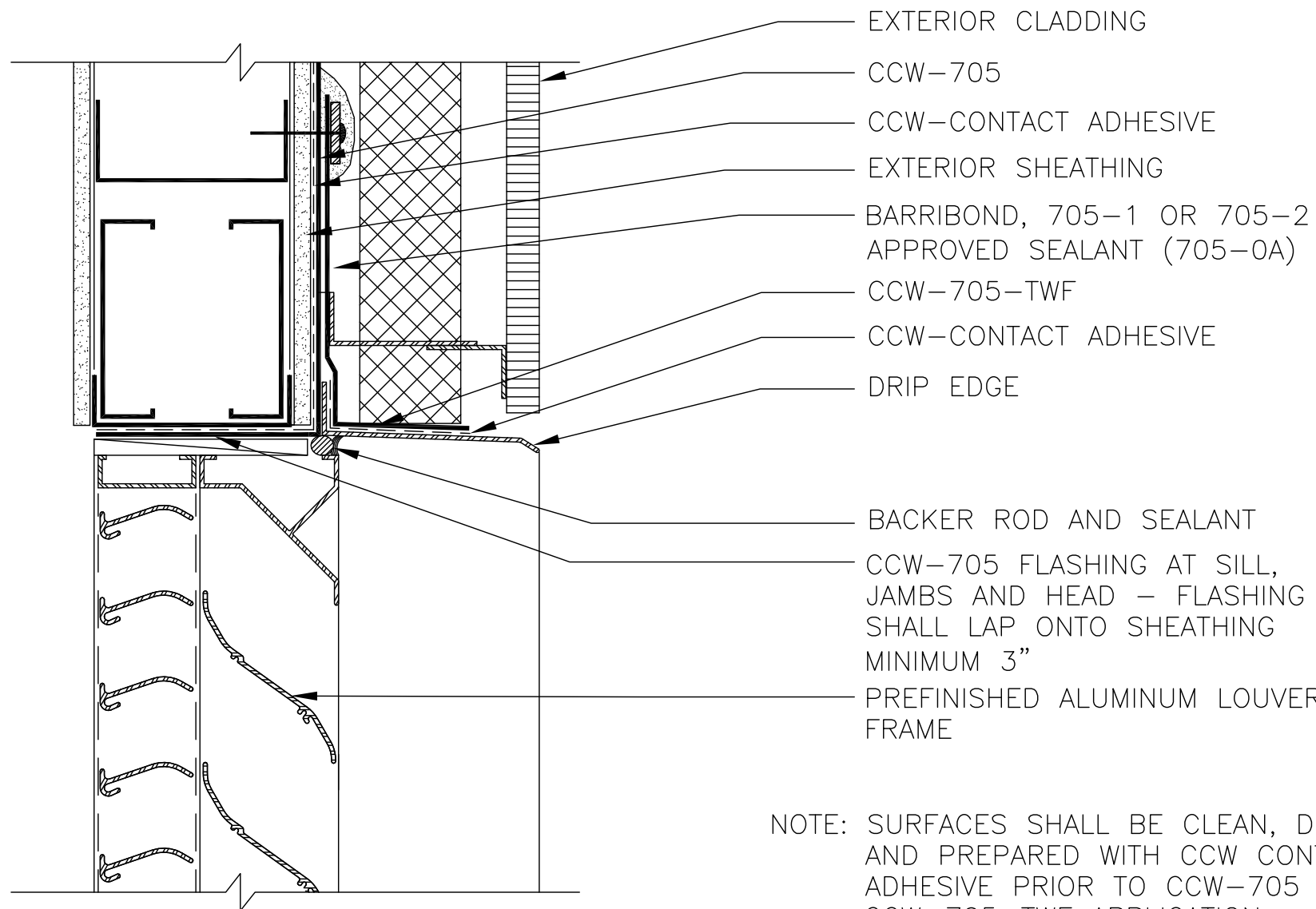
AS A MANUFACTURER OF CONSTRUCTION MATERIALS, CARLISLE, DOES NOT ASSUME RESPONSIBILITY FOR ERRORS IN DESIGN OR ENGINEERING. ARCHITECT OR OWNERS REPRESENTATIVE MUST VERIFY SUITABILITY OF DETAILS.

705-5G.2

LOUVER SILL DETAIL



© 2016 CARLISLE CORPORATION



NOTE: SURFACES SHALL BE CLEAN, DRY
 AND PREPARED WITH CCW CONTACT
 ADHESIVE PRIOR TO CCW-705 AND
 CCW-705-TWF APPLICATION.

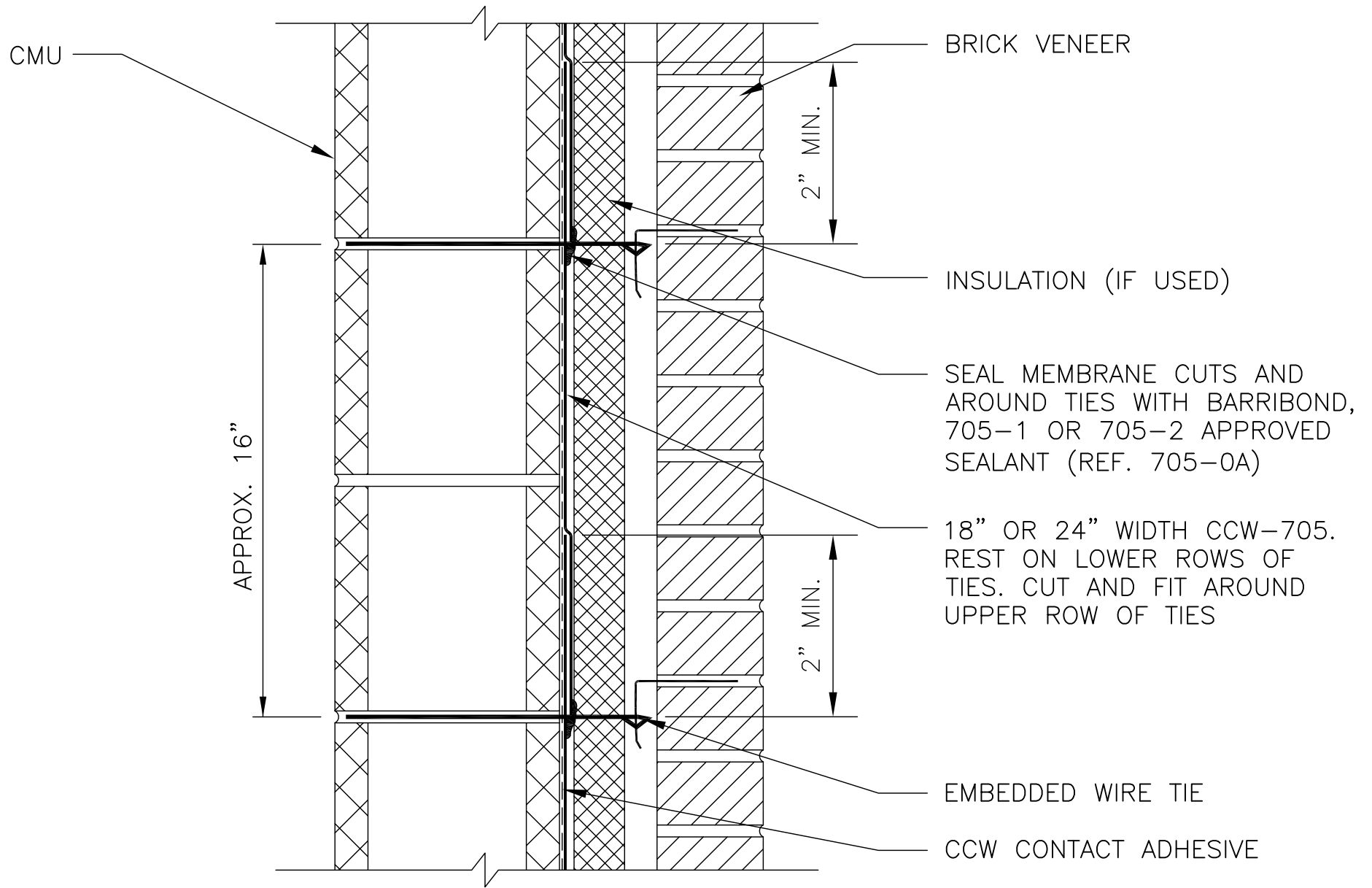
AS A MANUFACTURER OF CONSTRUCTION MATERIALS,
 CARLISLE, DOES NOT ASSUME RESPONSIBILITY FOR ERRORS
 IN DESIGN OR ENGINEERING. ARCHITECT OR OWNERS
 REPRESENTATIVE MUST VERIFY SUITABILITY OF DETAILS.

705-5H.1

LOUVER HEAD DETAIL

CARLISLE
 COATINGS & WATERPROOFING

© 2016 CARLISLE CORPORATION



AS A MANUFACTURER OF CONSTRUCTION MATERIALS, CARLISLE, DOES NOT ASSUME RESPONSIBILITY FOR ERRORS IN DESIGN OR ENGINEERING. ARCHITECT OR OWNERS REPRESENTATIVE MUST VERIFY SUITABILITY OF DETAILS.

705-6A

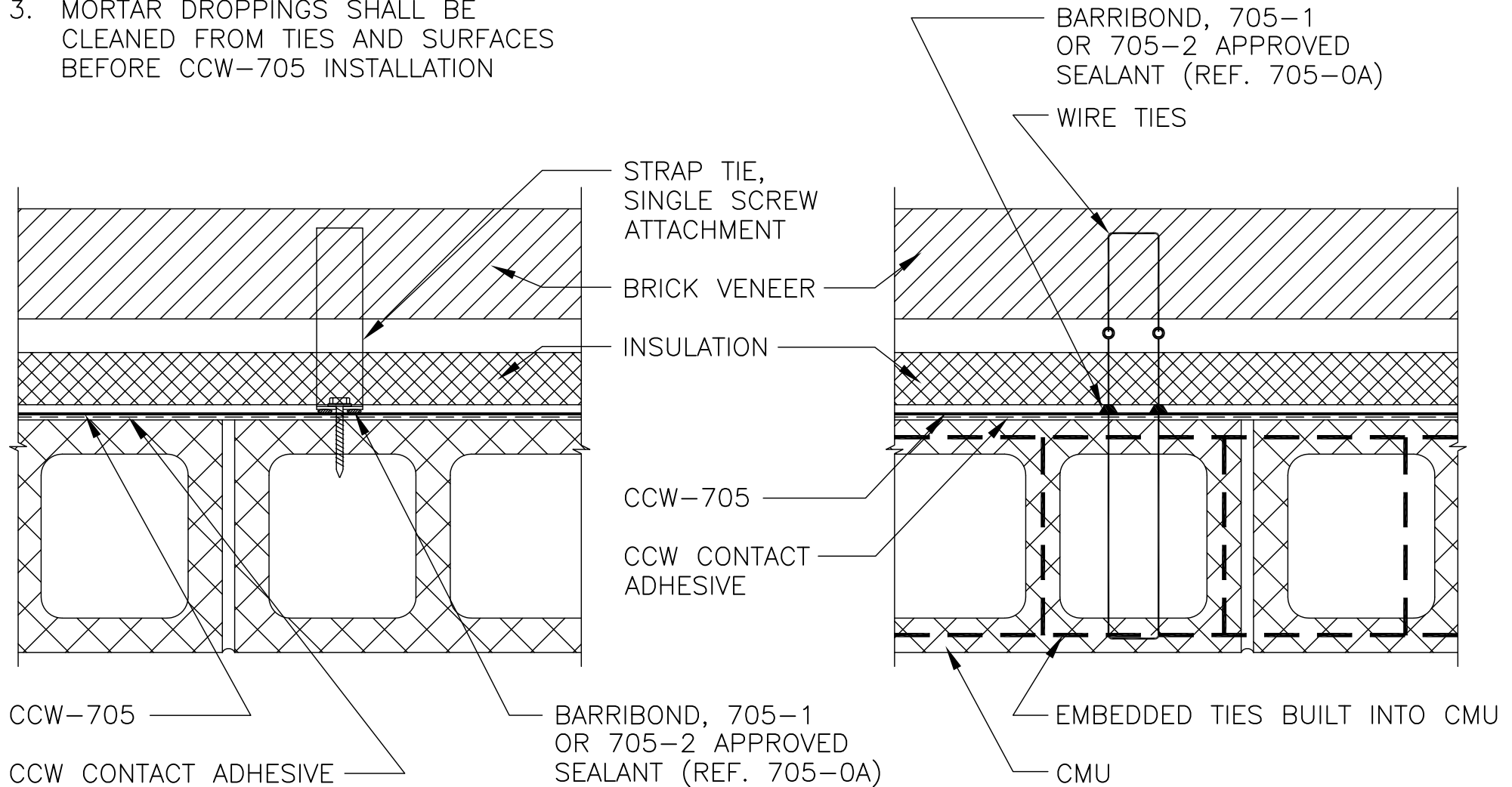
CCW-705 ON CMU WITH EMBEDDED LADDER TIES



NOTES:

1. INSTALL STRAP TIES AFTER CCW-705
2. MORTAR JOINTS SHALL BE STRUCK FLUSH, FREE OF VOIDS
3. MORTAR DROPPINGS SHALL BE CLEANED FROM TIES AND SURFACES BEFORE CCW-705 INSTALLATION

NOTE: SECURE INSULATION WITH CAV-GRIP OR 705-A APPROVED INSULATION ADHESIVE



AS A MANUFACTURER OF CONSTRUCTION MATERIALS, CARLISLE, DOES NOT ASSUME RESPONSIBILITY FOR ERRORS IN DESIGN OR ENGINEERING. ARCHITECT OR OWNERS REPRESENTATIVE MUST VERIFY SUITABILITY OF DETAILS.

705-6B

CCW-705
BRICK TIES - CMU

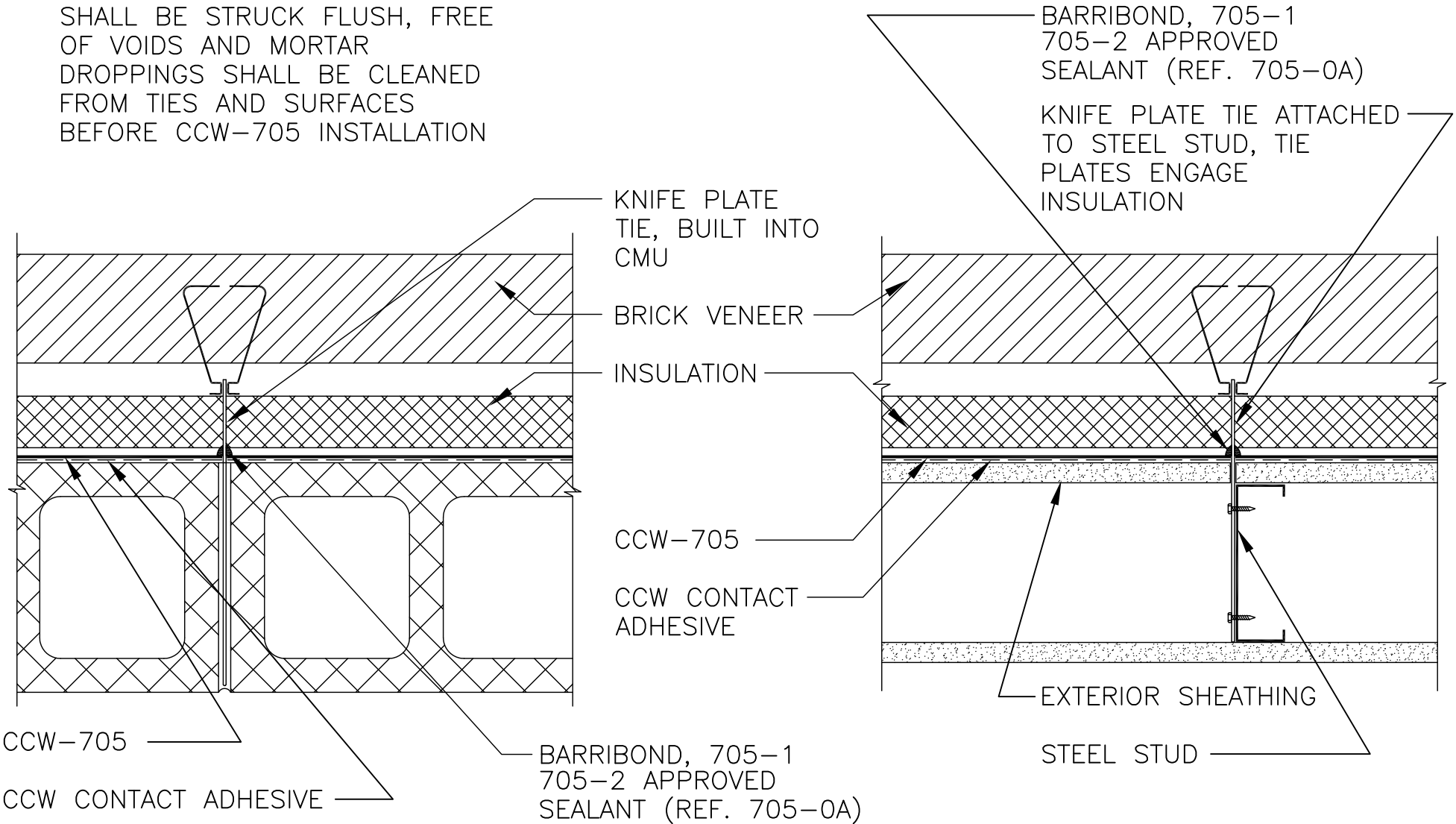


© 2016 CARLISLE CORPORATION

NOTES:

1. TIES ARE IN PLACE BEFORE CCW-705 INSTALLATION
2. ON CMU - MORTAR JOINTS SHALL BE STRUCK FLUSH, FREE OF VOIDS AND MORTAR DROPPINGS SHALL BE CLEANED FROM TIES AND SURFACES BEFORE CCW-705 INSTALLATION

NOTE: SECURE INSULATION WITH CAV-GRIP OR 705-A APPROVED INSULATION ADHESIVE



AS A MANUFACTURER OF CONSTRUCTION MATERIALS, CARLISLE, DOES NOT ASSUME RESPONSIBILITY FOR ERRORS IN DESIGN OR ENGINEERING. ARCHITECT OR OWNERS REPRESENTATIVE MUST VERIFY SUITABILITY OF DETAILS.

705-6C

CCW-705
KNIFE PLATE TYPE TIES
CMU AND SHEATHING

CARLISLE
COATINGS & WATERPROOFING

© 2016 CARLISLE CORPORATION

NOTES:

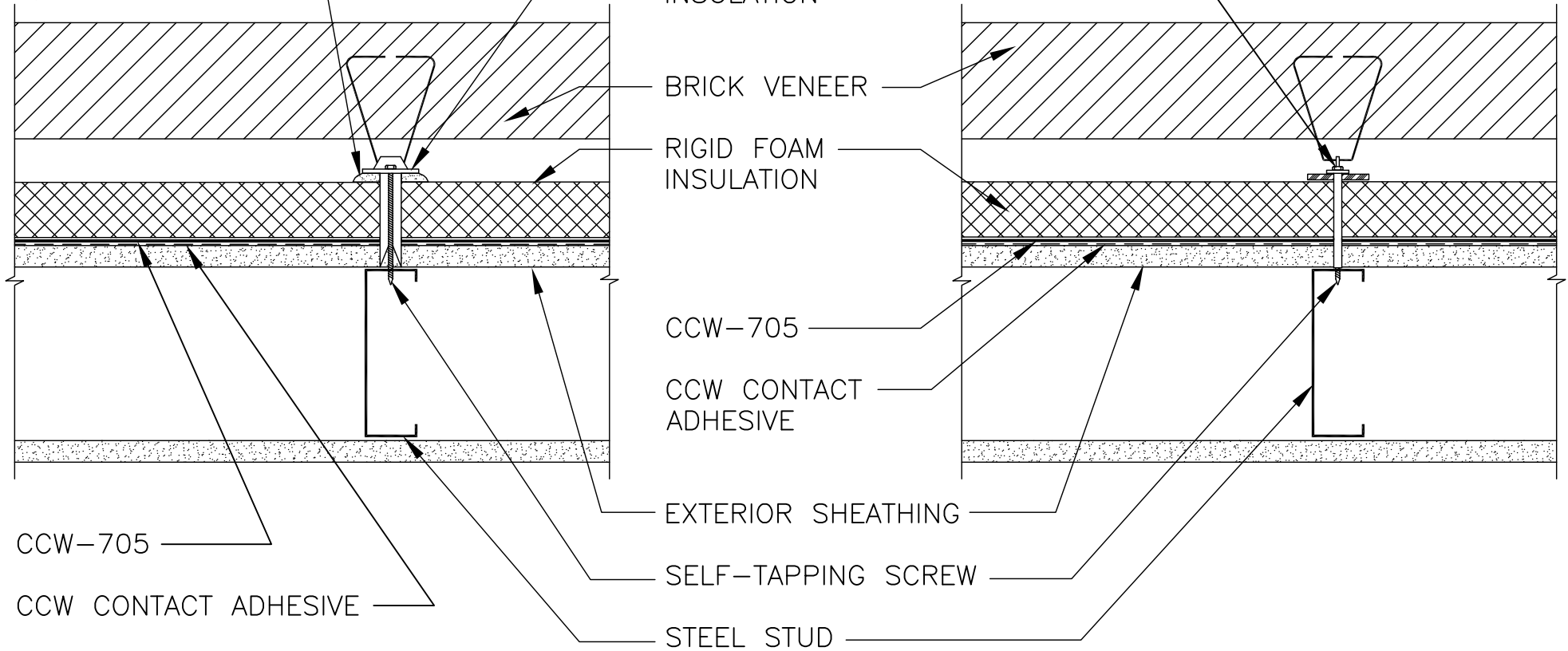
1. DRIVE FASTENERS STRAIGHT, DO NOT OVER-DRIVE
2. SEAL ALL HOLES FROM MIS-DRIVEN FASTENERS WITH PORTABLE CAN SPRAY FOAM

3. SECURE INSULATION WITH CAV-GRIP OR 705-A APPROVED INSULATION ADHESIVE

BARRIBOND OR
705-1 APPROVED
SEALANT
(REF. 705VP-0A)

H-B X-SEAL TIE
PLATE ENGAGES
INSULATION

HECKMANN OR H-B
SCREW-IN TYPE TIE WITH
RODENHOUSE THERMALGRIP
BRICK TIE WASHER
ENGAGING INSULATION



AS A MANUFACTURER OF CONSTRUCTION MATERIALS, CARLISLE, DOES NOT ASSUME RESPONSIBILITY FOR ERRORS IN DESIGN OR ENGINEERING. ARCHITECT OR OWNERS REPRESENTATIVE MUST VERIFY SUITABILITY OF DETAILS.

705-6D

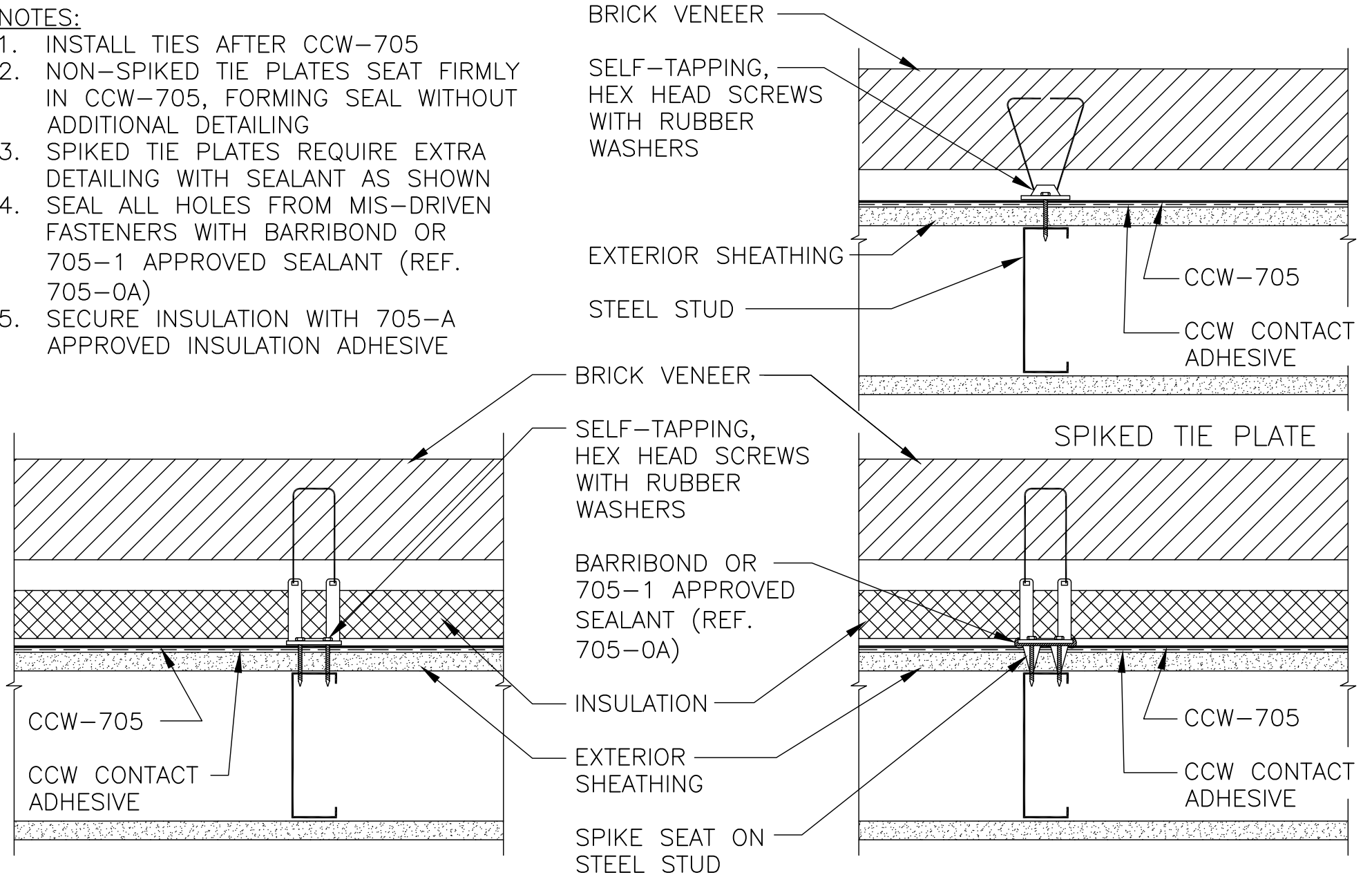
BRICK TIES, ATTACHED TO STUD THROUGH INSULATION AND EXTERIOR SHEATHING



© 2016 CARLISLE CORPORATION

NOTES:

1. INSTALL TIES AFTER CCW-705
2. NON-SPIKED TIE PLATES SEAT FIRMLY IN CCW-705, FORMING SEAL WITHOUT ADDITIONAL DETAILING
3. SPIKED TIE PLATES REQUIRE EXTRA DETAILING WITH SEALANT AS SHOWN
4. SEAL ALL HOLES FROM MIS-DRIVEN FASTENERS WITH BARRIBOND OR 705-1 APPROVED SEALANT (REF. 705-0A)
5. SECURE INSULATION WITH 705-A APPROVED INSULATION ADHESIVE



AS A MANUFACTURER OF CONSTRUCTION MATERIALS, CARLISLE, DOES NOT ASSUME RESPONSIBILITY FOR ERRORS IN DESIGN OR ENGINEERING. ARCHITECT OR OWNERS REPRESENTATIVE MUST VERIFY SUITABILITY OF DETAILS.

705-6E

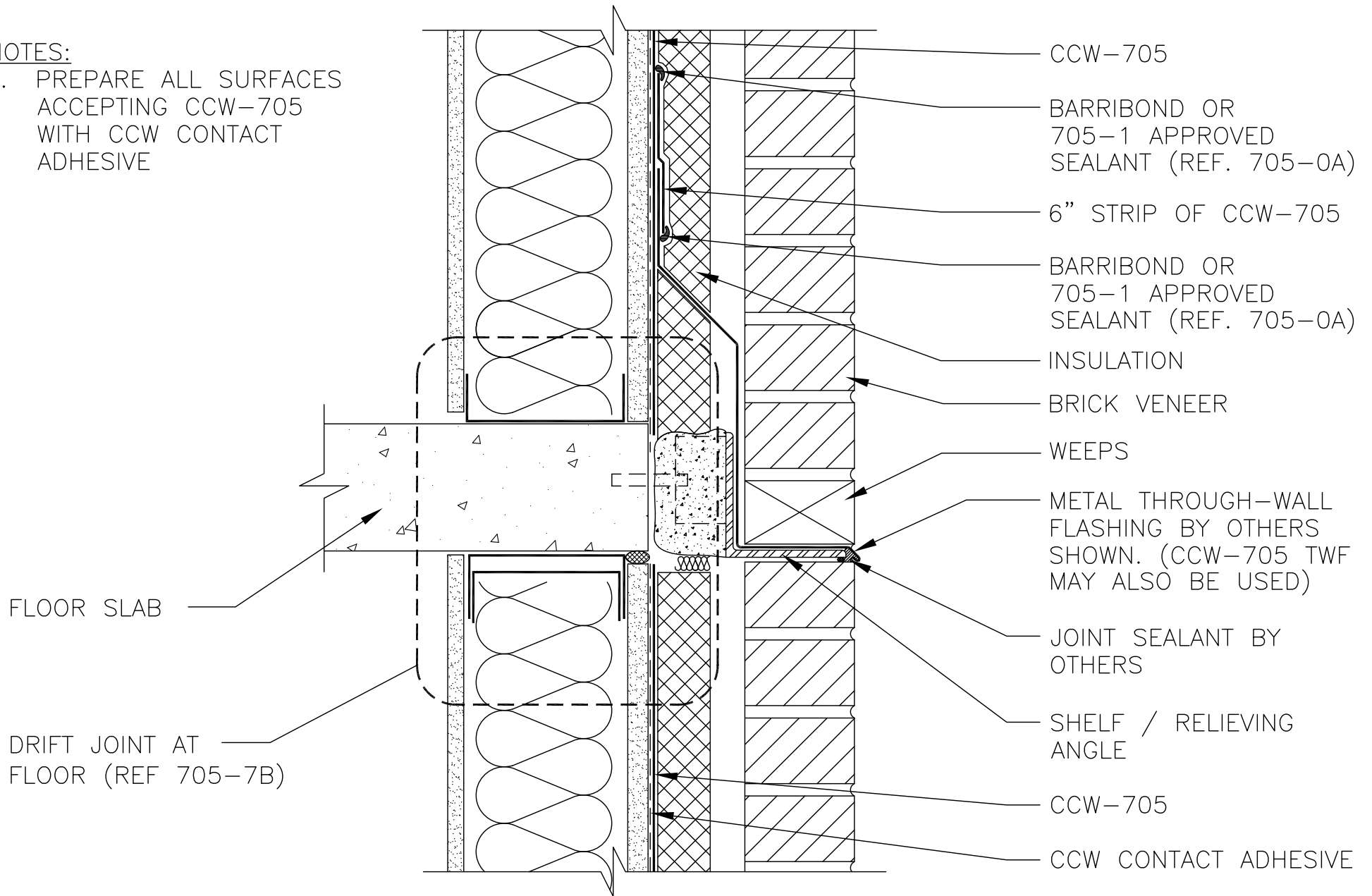
CCW-705 2-SCREW BRICK TIES,
ATTACHMENT TO STUD THROUGH
EXTERIOR SHEATHING



© 2016 CARLISLE CORPORATION

NOTES:

1. PREPARE ALL SURFACES ACCEPTING CCW-705 WITH CCW CONTACT ADHESIVE



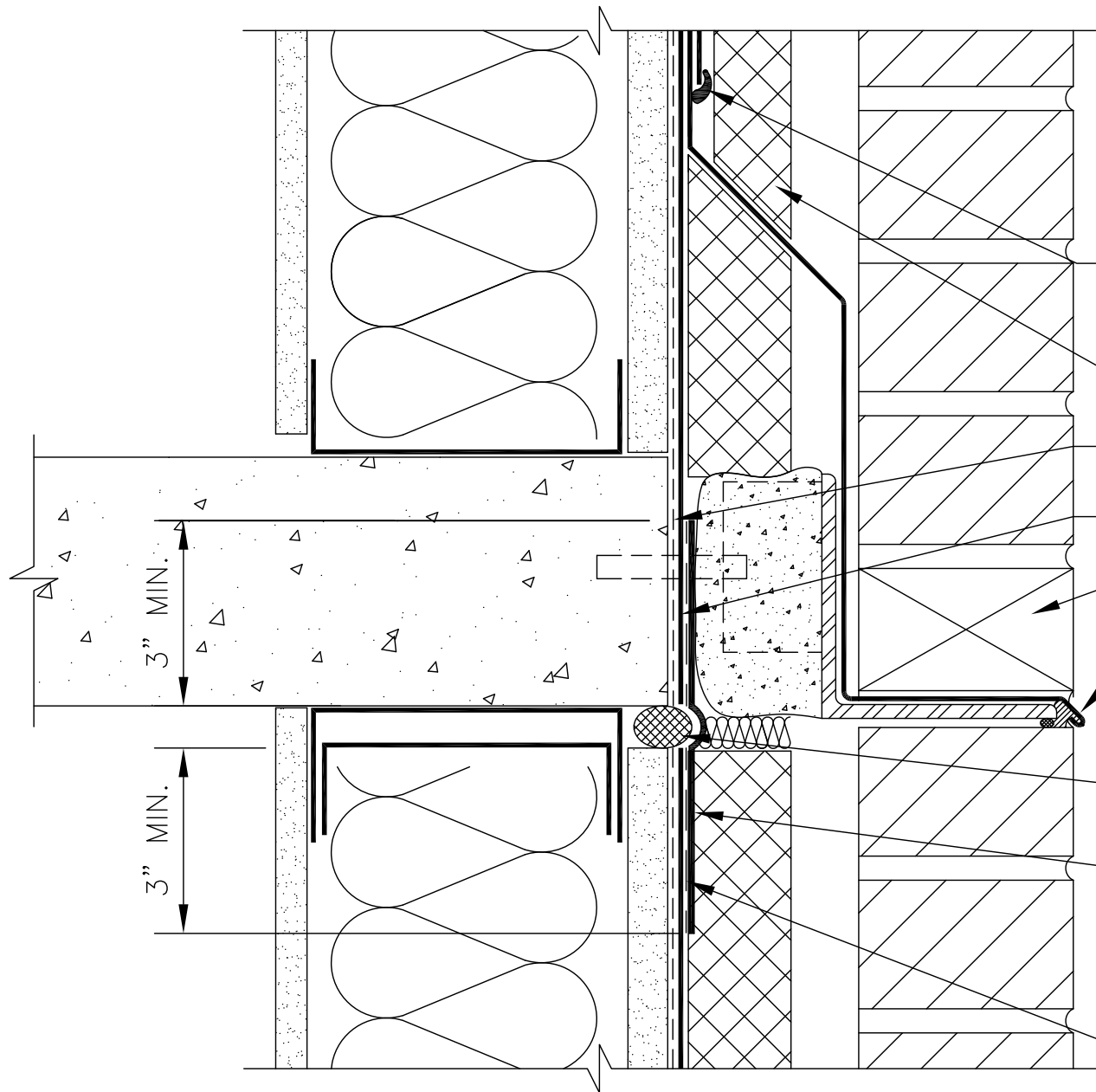
AS A MANUFACTURER OF CONSTRUCTION MATERIALS, CARLISLE, DOES NOT ASSUME RESPONSIBILITY FOR ERRORS IN DESIGN OR ENGINEERING. ARCHITECT OR OWNERS REPRESENTATIVE MUST VERIFY SUITABILITY OF DETAILS.

705-7A

CCW-705
SHELF ANGLE

CARLISLE
COATINGS & WATERPROOFING

© 2016 CARLISLE CORPORATION



NOTES:

1. ALLOWABLE JOINT MOVEMENT VARIES WITH GEOMETRY
2. PREPARE ALL SURFACES ACCEPTING CCW-705 AND CCW-705-TWF WITH CCW CONTACT ADHESIVE

BARRIBOND OR
705-1 APPROVED
SEALANT (REF. 705-0A)

INSULATION

CCW CONTACT ADHESIVE

CCW-705

WEEPS

METAL THROUGH-WALL
FLASHING BY OTHERS SHOWN
(CCW-705-TWF MAY ALSO
BE USED)

BACKER ROD, PROTRUDING
 $\frac{1}{2}$ " MINIMUM

P/S ELASTOFORM FLASHING,
CCW-705* OR 705FR-A*,
*TREAT ANGLE CHANGES ALONG
DRIFT JOINT WITH P/S
ELASTOFORM FLASHING

SURE-SEAL HP-250, LOW
VOC EPDM PRIMER OR
EP-95

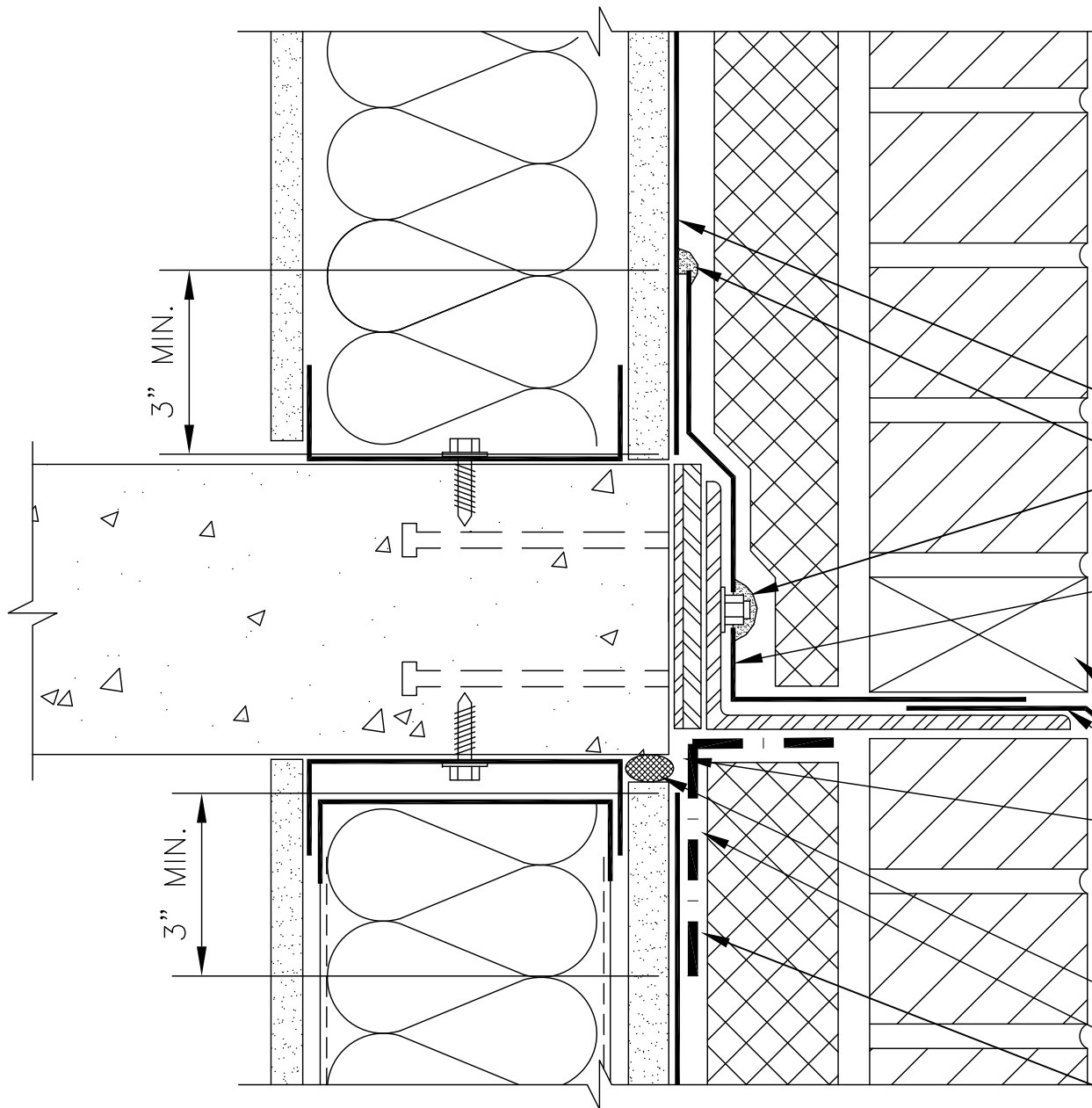
AS A MANUFACTURER OF CONSTRUCTION MATERIALS,
CARLISLE, DOES NOT ASSUME RESPONSIBILITY FOR ERRORS
IN DESIGN OR ENGINEERING. ARCHITECT OR OWNERS
REPRESENTATIVE MUST VERIFY SUITABILITY OF DETAILS.

705-7B

CCW-705
DRIFT JOINT AT FLOOR



© 2016 CARLISLE CORPORATION



NOTES:

1. ALLOWABLE JOINT MOVEMENT VARIES WITH GEOMETRY
2. PREPARE ALL SURFACES ACCEPTING P/S ELASTOFORM FLASHING WITH SURE-SEAL HP-250, LOW VOC PRIMER OR EP-95
3. PREPARE ALL SURFACES ACCEPTING CCW-705 OR CCW-705-TWF WITH CCW CONTACT ADHESIVE

- CCW-705
- BARRIBOND OR 705-1 APPROVED SEALANT (REF 705-0A)
- CCW-705-TWF CUT AND FIT OVER BOLT HEADS (TERMINATE 1/2" MIN. FROM EXTERIOR)
- WEEPS
- DRIP EDGE
- P/S ELASTOFORM FLASHING, CCW-705* OR 705FR-A*, *TREAT ANGLE CHANGES ALONG DRIFT JOINT WITH P/S ELASTOFORM FLASHING
- BACKER ROD
- SURE-SEAL LAP SEALANT
- CCW-705

AS A MANUFACTURER OF CONSTRUCTION MATERIALS, CARLISLE, DOES NOT ASSUME RESPONSIBILITY FOR ERRORS IN DESIGN OR ENGINEERING. ARCHITECT OR OWNERS REPRESENTATIVE MUST VERIFY SUITABILITY OF DETAILS.

705-7C

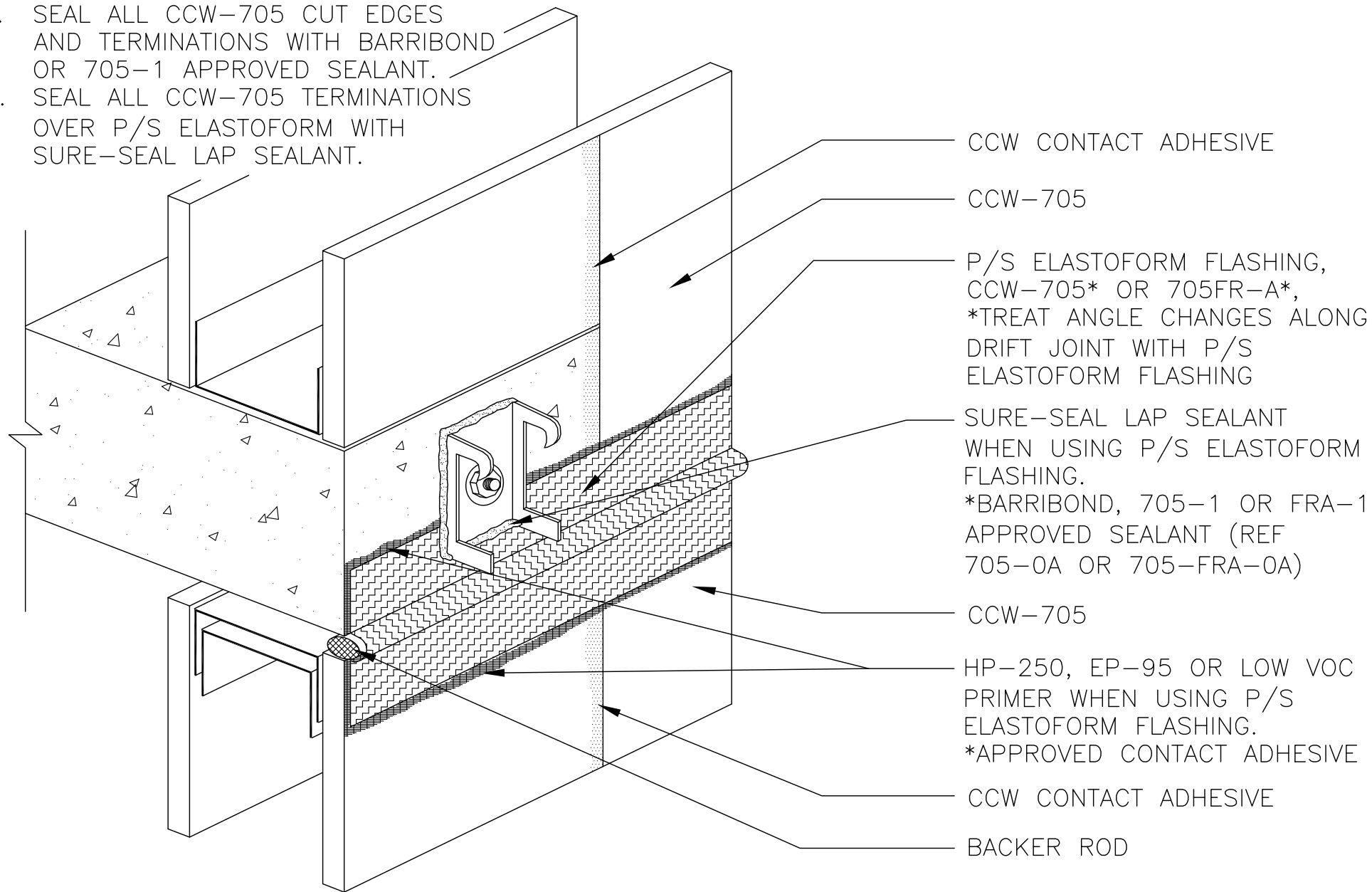
CCW-705 SHELF ANGLE
INSTALLED BEFORE AVB



© 2016 CARLISLE CORPORATION

NOTES:

1. SEAL ALL CCW-705 CUT EDGES AND TERMINATIONS WITH BARRIBOND OR 705-1 APPROVED SEALANT.
2. SEAL ALL CCW-705 TERMINATIONS OVER P/S ELASTOFORM WITH SURE-SEAL LAP SEALANT.



CCW CONTACT ADHESIVE

CCW-705

P/S ELASTOFORM FLASHING, CCW-705* OR 705FR-A*, *TREAT ANGLE CHANGES ALONG DRIFT JOINT WITH P/S ELASTOFORM FLASHING

SURE-SEAL LAP SEALANT WHEN USING P/S ELASTOFORM FLASHING. *BARRIBOND, 705-1 OR FRA-1 APPROVED SEALANT (REF 705-0A OR 705-FRA-0A)

CCW-705

HP-250, EP-95 OR LOW VOC PRIMER WHEN USING P/S ELASTOFORM FLASHING. *APPROVED CONTACT ADHESIVE

CCW CONTACT ADHESIVE

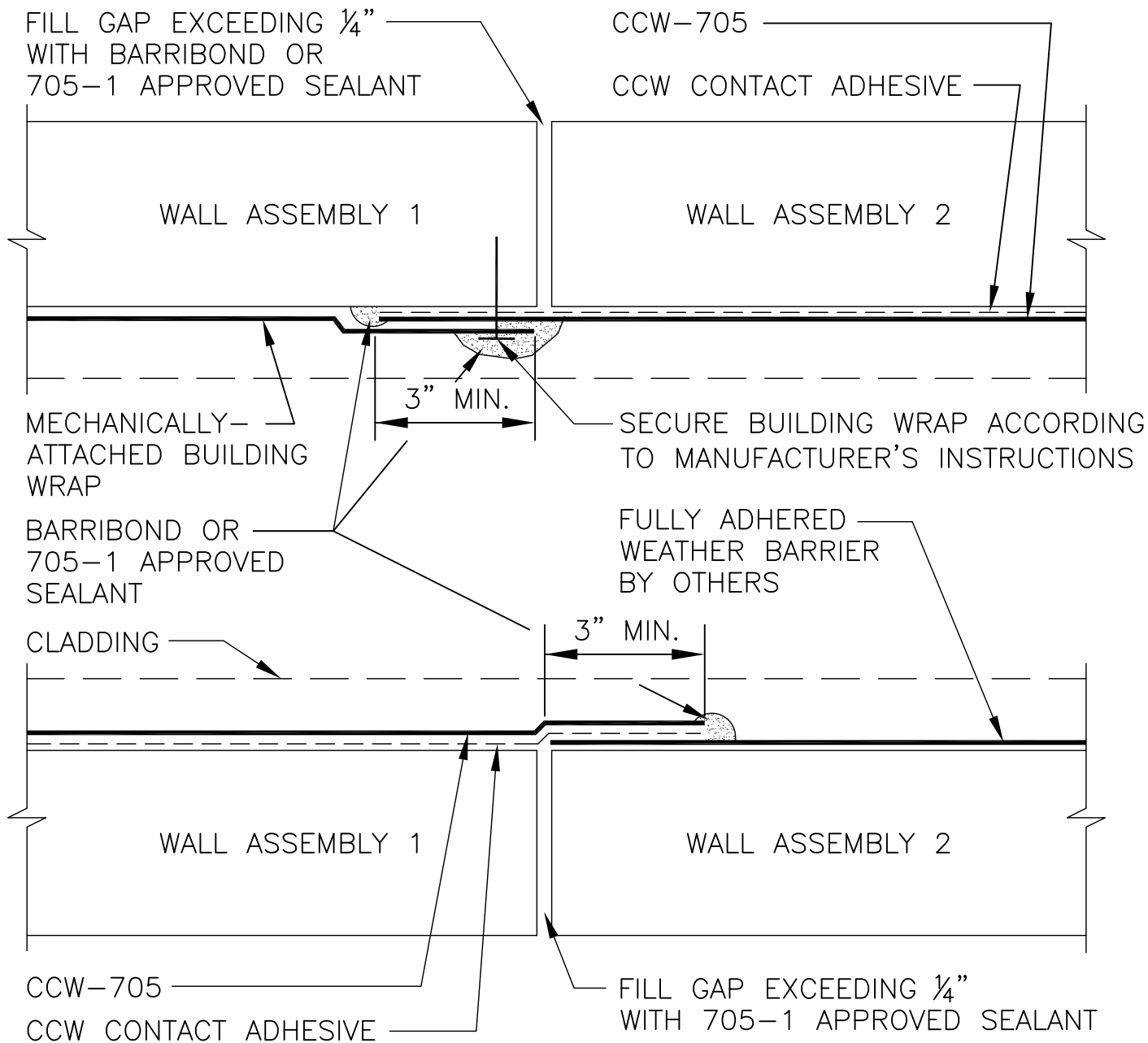
BACKER ROD

AS A MANUFACTURER OF CONSTRUCTION MATERIALS, CARLISLE, DOES NOT ASSUME RESPONSIBILITY FOR ERRORS IN DESIGN OR ENGINEERING. ARCHITECT OR OWNERS REPRESENTATIVE MUST VERIFY SUITABILITY OF DETAILS.

705-7D

ISOMETRIC SHELF ANGLE





NOTES:

1. CCW-705 SHALL BEAR 3" MINIMUM ONTO EACH SIDE OF JOINT
2. INSTALL CCW-705 PRODUCTS TO SUBSTRATE, NOT OVER BUILDING WRAP
3. VERIFY COMPATABILITY OF MEMBRANES BY OTHERS WITH CCW

AS A MANUFACTURER OF CONSTRUCTION MATERIALS, CARLISLE, DOES NOT ASSUME RESPONSIBILITY FOR ERRORS IN DESIGN OR ENGINEERING. ARCHITECT OR OWNERS REPRESENTATIVE MUST VERIFY SUITABILITY OF DETAILS.

705-9A

CCW-705 TERMINATION AT WEATHER BARRIER BY OTHERS

CARLISLE
COATINGS & WATERPROOFING

© 2016 CARLISLE CORPORATION

APPROVED
METAL CLEAT AND
CAP FLASHING

ANY APPROVED
CARLISLE TERMINATION
(TERM BAR AND WATER
CUTOFF MASTIC SHOWN)

705FR-A, BRING ONTO
TOP OF PARAPET WALL
3" MINIMUM

CCW-705

CCW CONTACT ADHESIVE

APPROVED FASTENER,
SEALED TO METAL CAP
FLASHING WITH RUBBER
WASHER OR SEALANT.

DUE TO ROOF SERVICE
TEMPERATURE REQUIREMENTS,
AND POTENTIAL FOR ROOF
MEMBRANE DISCOLORATION,
DO NOT INSTALL 705FR-A
PAST THIS POINT.

HOT AIR WELD, SEPERATE
PIECE OF FULLY-
ADHERED PVC

CARLISLE SURE-FLEX PVC,
ADHERED TO PARAPET WALL
AND 705FR-A WITH CARLISLE
PVC BONDING ADHESIVE.

NOTES:

1. LAP OF CCW-705 AIR/VAPOR BARRIER AND SURE-FLEX PVC ROOFING SYSTEMS SHALL BE 6 INCHES MINIMUM.
2. CONSULT CARLISLE-SYNTec LITERATURE AND DETAILS FOR SURE-FLEX PVC ROOFING INSTALLATION.

1st: CCW-705 AIR/VAPOR BARRIER
2nd: SURE-FLEX PVC ROOFING

AS A MANUFACTURER OF CONSTRUCTION MATERIALS,
CARLISLE, DOES NOT ASSUME RESPONSIBILITY FOR ERRORS
IN DESIGN OR ENGINEERING. ARCHITECT OR OWNERS
REPRESENTATIVE MUST VERIFY SUITABILITY OF DETAILS.

705-11A

CCW-705 TIE-IN TO PVC
ROOF AT PARAPET OPTION #1

CARLISLE
COATINGS & WATERPROOFING

© 2016 CARLISLE CORPORATION

CARLISLE UNIVERSAL SINGLE PLY SEALANT

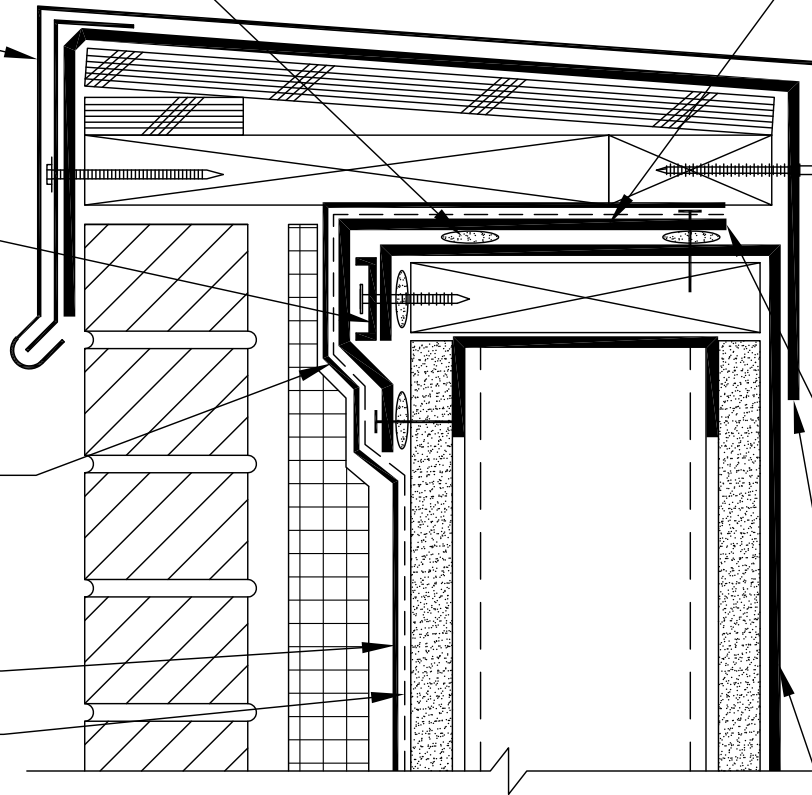
APPROVED METAL CLEAT AND CAP FLASHING

ANY APPROVED CARLISLE TERMINATION (TERM BAR AND WATER CUTOFF MASTIC SHOWN)

CCW-705, BRING ONTO TOP OF PARAPET WALL 3" MINIMUM

CCW-705

CCW CONTACT ADHESIVE



SHEET METAL FLASHING, FASTEN AND SEAL AS SHOWN. SEAL LAPS BETWEEN PIECES OF SHEET METAL FLASHING WITH CCW TGM 3300 OR DOUBLE-SIDED BUTYL TAPE (BY OTHERS).

APPROVED FASTENER, SEALED TO METAL CAP FLASHING WITH NEOPRENE WASHER OR SEALANT.

DUE TO ROOF SERVICE TEMPERATURE REQUIREMENTS, AND POTENTIAL FOR ROOF MEMBRANE DISCOLORATION, DO NOT INSTALL 705FR-A PAST THIS POINT.

HOT AIR WELD, SEPERATE PIECE OF FULLY-ADHERED PVC

CARLISLE SURE-FLEX PVC, ADHERED TO PARAPET WALL WITH CARLISLE PVC BONDING ADHESIVE.

NOTES:

1. LAP OF CCW-705 AIR/VAPOR BARRIER AND SURE-FLEX PVC ROOFING SYSTEMS SHALL BE 6 INCHES MINIMUM.
2. CONSULT CARLISLE-SYNTEC LITERATURE AND DETAILS FOR SURE-FLEX PVC ROOFING INSTALLATION.

1st: SURE-FLEX PVC ROOFING

2nd: CCW-705 AIR/VAPOR BARRIER

AS A MANUFACTURER OF CONSTRUCTION MATERIALS, CARLISLE, DOES NOT ASSUME RESPONSIBILITY FOR ERRORS IN DESIGN OR ENGINEERING. ARCHITECT OR OWNERS REPRESENTATIVE MUST VERIFY SUITABILITY OF DETAILS.

705-11B

CCW-705 TIE-IN TO PVC ROOF AT PARAPET OPTION #2



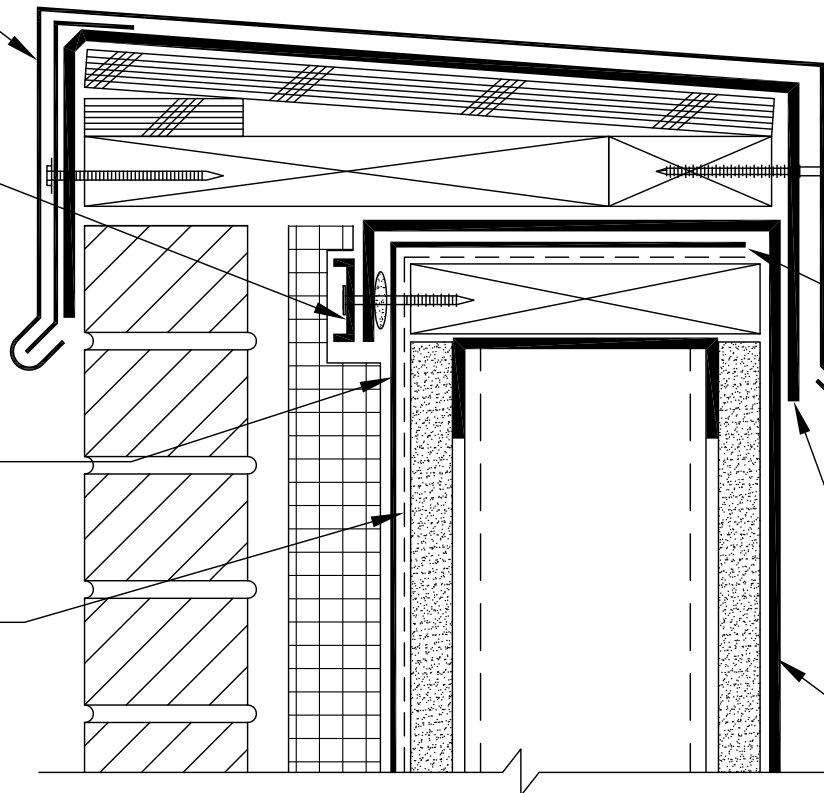
© 2016 CARLISLE CORPORATION

APPROVED
METAL CLEAT AND
CAP FLASHING

ANY APPROVED
CARLISLE TERMINATION
(TERM BAR AND WATER
CUTOFF MASTIC SHOWN)

CCW-705, BRING ONTO
TOP OF PARAPET WALL
3" MINIMUM

CCW CONTACT
ADHESIVE



APPROVED FASTENER,
SEALED TO METAL CAP
FLASHING WITH NEOPRENE
WASHER OR SEALANT.

DUE TO ROOF SERVICE
TEMPERATURE REQUIREMENTS,
AND POTENTIAL FOR ROOF
MEMBRANE DISCOLORATION,
DO NOT INSTALL CCW-705
PAST THIS POINT.

HOT AIR WELD, SEPERATE
PIECE OF FULLY-
ADHERED TPO

CARLISLE SURE-WELD TPO,
ADHERED TO PARAPET WALL
AND CCW-705 WITH CARLISLE
TPO BONDING ADHESIVE.

NOTES:

1. LAP OF CCW-705 AIR/VAPOR BARRIER AND SURE-WELD TPO ROOFING SYSTEMS SHALL BE 6 INCHES MINIMUM.
2. CONSULT CARLISLE-SYNTEC LITERATURE AND DETAILS FOR SURE-WELD TPO ROOFING INSTALLATION.

1st: CCW-705 AIR/VAPOR BARRIER
2nd: SURE-WELD TPO ROOFING

AS A MANUFACTURER OF CONSTRUCTION MATERIALS,
CARLISLE, DOES NOT ASSUME RESPONSIBILITY FOR ERRORS
IN DESIGN OR ENGINEERING. ARCHITECT OR OWNERS
REPRESENTATIVE MUST VERIFY SUITABILITY OF DETAILS.

705-11C

CCW-705 TIE-IN TO TPO
ROOF AT PARAPET OPTION #1



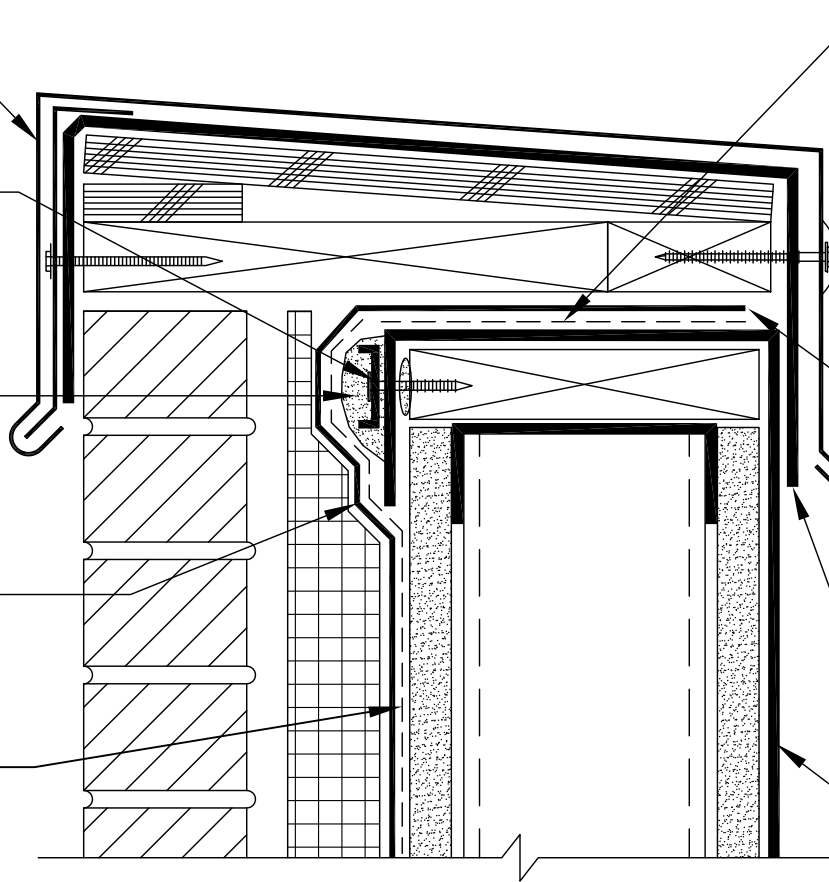
APPROVED
METAL CLEAT AND
CAP FLASHING

ANY APPROVED
CARLISLE TERMINATION
(TERM BAR AND WATER
CUTOFF MASTIC SHOWN)

705-1 (REF 705-0A)
APPROVED SEALANT
TOOLED SMOOTH,
OVER TERMINATION BAR.

CCW-705, BRING ONTO
TOP OF PARAPET WALL
3" MINIMUM

CCW CONTACT
ADHESIVE



PREPARE TPO SURFACES
ACCEPTING CCW-705 WITH
CARLISLE TPO PRIMER

APPROVED FASTENER,
SEALED TO METAL CAP
FLASHING WITH RUBBER
WASHER OR SEALANT.

DUE TO ROOF SERVICE
TEMPERATURE REQUIREMENTS,
AND POTENTIAL FOR ROOF
MEMBRANE DISCOLORATION,
DO NOT INSTALL CCW-705
PAST THIS POINT.

HOT AIR WELD, SEPERATE
PIECE OF FULLY-
ADHERED TPO

CARLISLE SURE-WELD TPO,
ADHERED TO PARAPET WALL
WITH CARLISLE TPO BONDING
ADHESIVE.

NOTES:

1. LAP OF CCW-705 AIR/VAPOR BARRIER AND SURE-WELD TPO ROOFING SYSTEMS SHALL BE 6 INCHES MINIMUM.
2. CONSULT CARLISLE-SYNTEC LITERATURE AND DETAILS FOR SURE-WELD TPO ROOFING INSTALLATION.

1st: SURE-WELD TPO ROOFING
2nd: CCW-705 AIR/VAPOR BARRIER

AS A MANUFACTURER OF CONSTRUCTION MATERIALS,
CARLISLE, DOES NOT ASSUME RESPONSIBILITY FOR ERRORS
IN DESIGN OR ENGINEERING. ARCHITECT OR OWNERS
REPRESENTATIVE MUST VERIFY SUITABILITY OF DETAILS.

705-11D

CCW-705 TIE-IN TO TPO
ROOF AT PARAPET OPTION #2



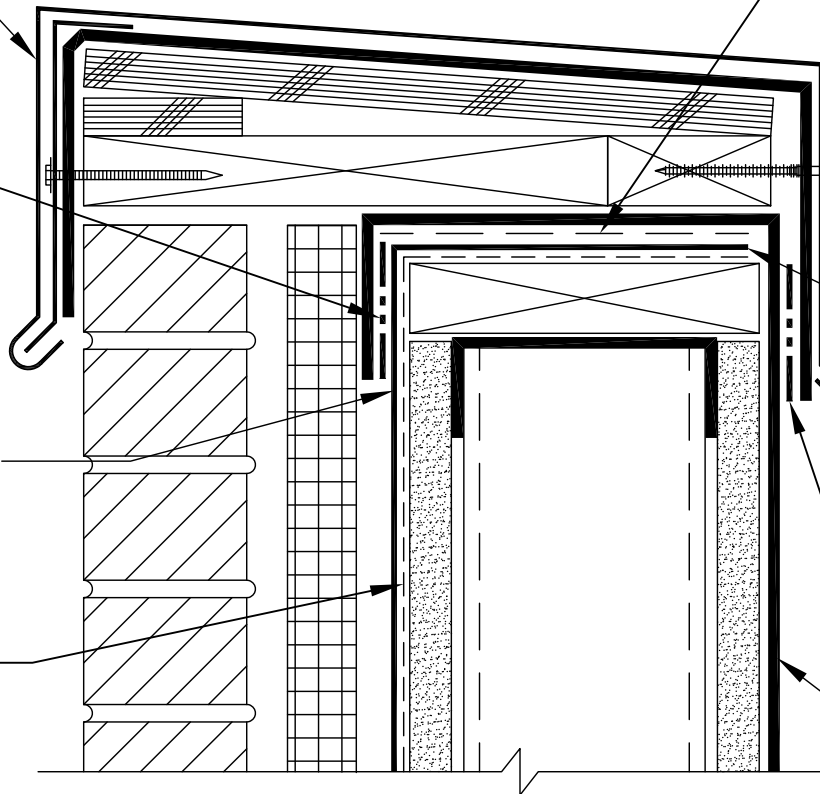
© 2016 CARLISLE CORPORATION

APPROVED
METAL CLEAT AND
CAP FLASHING

ANY APPROVED
CARLISLE TERMINATION
(SecurTAPE SHOWN)

CCW-705, BRING ONTO
TOP OF PARAPET WALL
3" MINIMUM

CCW CONTACT
ADHESIVE



PREPARE CCW-705 SURFACES
ACCEPTING EPDM WITH CARLISLE
BONDING ADHESIVE AND
PREPARE SURFACES ACCEPTING
SecurTAPE WITH HP-250 OR
LOW VOC PRIMER

APPROVED FASTENER,
SEALED TO METAL CAP
FLASHING WITH RUBBER
WASHER OR SEALANT.

DUE TO ROOF SERVICE
TEMPERATURE REQUIREMENTS,
DO NOT INSTALL CCW-705
PAST THIS POINT.

CARLISLE SecurTAPE SPLICE

CARLISLE SURE-SEAL EPDM,
FULLY-ADHERED TO PARAPET
WALL WITH CARLISLE BONDING
ADHESIVE.

NOTES:

1. LAP OF CCW-705 AIR/VAPOR BARRIER AND SURE-SEAL EPDM ROOFING SYSTEMS SHALL BE 6 INCHES MINIMUM.
2. CONSULT CARLISLE-SYNTec LITERATURE AND DETAILS FOR SURE-SEAL EPDM ROOFING INSTALLATION.

1st: CCW-705 AIR/VAPOR BARRIER
2nd: SURE-SEAL EPDM ROOF

AS A MANUFACTURER OF CONSTRUCTION MATERIALS,
CARLISLE, DOES NOT ASSUME RESPONSIBILITY FOR ERRORS
IN DESIGN OR ENGINEERING. ARCHITECT OR OWNERS
REPRESENTATIVE MUST VERIFY SUITABILITY OF DETAILS.

705-11E

CCW-705 TIE-IN TO EPDM
ROOF AT PARAPET OPTION #1



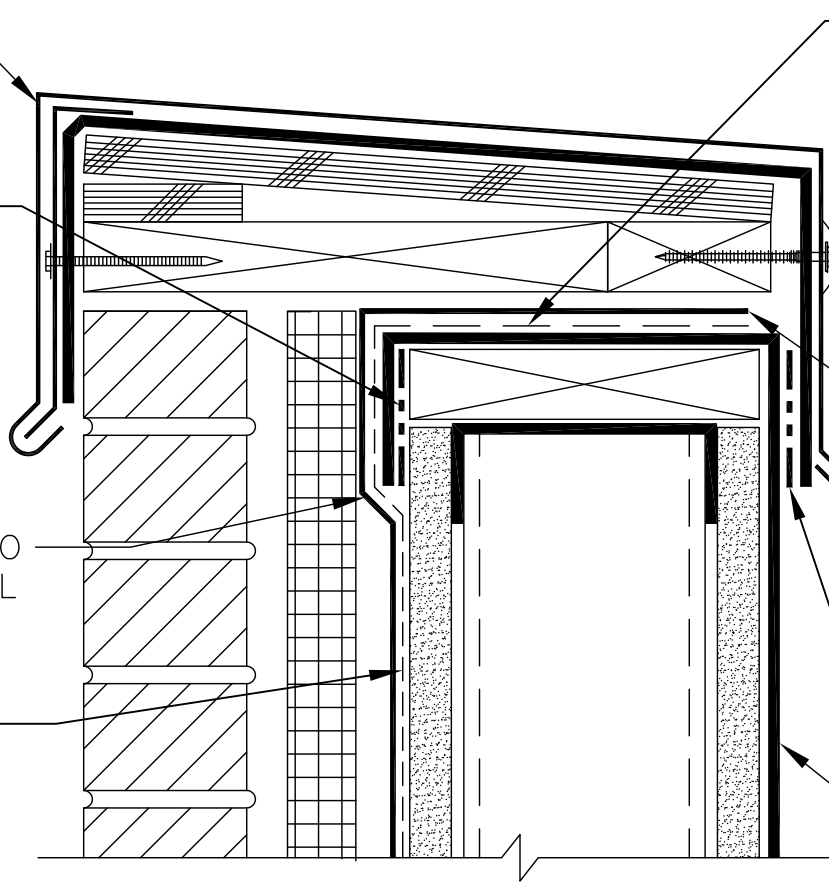
© 2016 CARLISLE CORPORATION

APPROVED
METAL CLEAT AND
CAP FLASHING

ANY APPROVED
CARLISLE TERMINATION
(SecurTAPE SHOWN)

CCW-705, BRING ONTO
TOP OF PARAPET WALL
3" MINIMUM

CCW CONTACT
ADHESIVE



PREPARE EPDM SURFACES
ACCEPTING CCW-705 WITH
CARLISLE HP-250 OR LOW
VOC PRIMER

APPROVED FASTENER,
SEALED TO METAL CAP
FLASHING WITH RUBBER
WASHER OR SEALANT.

DUE TO ROOF SERVICE
TEMPERATURE REQUIREMENTS,
DO NOT INSTALL CCW-705
PAST THIS POINT.

CARLISLE SecurTAPE SPLICE

CARLISLE SURE-SEAL EPDM,
FULLY-ADHERED TO PARAPET
WALL WITH CARLISLE BONDING
ADHESIVE.

NOTES:

1. LAP OF CCW-705 AIR/VAPOR BARRIER AND SURE-SEAL EPDM ROOFING SYSTEMS SHALL BE 6 INCHES MINIMUM.
2. CONSULT CARLISLE-SYNTEC LITERATURE AND DETAILS FOR SURE-SEAL EPDM ROOFING INSTALLATION.

1st: SURE-SEAL EPDM ROOF
2nd: CCW-705 AIR/VAPOR BARRIER

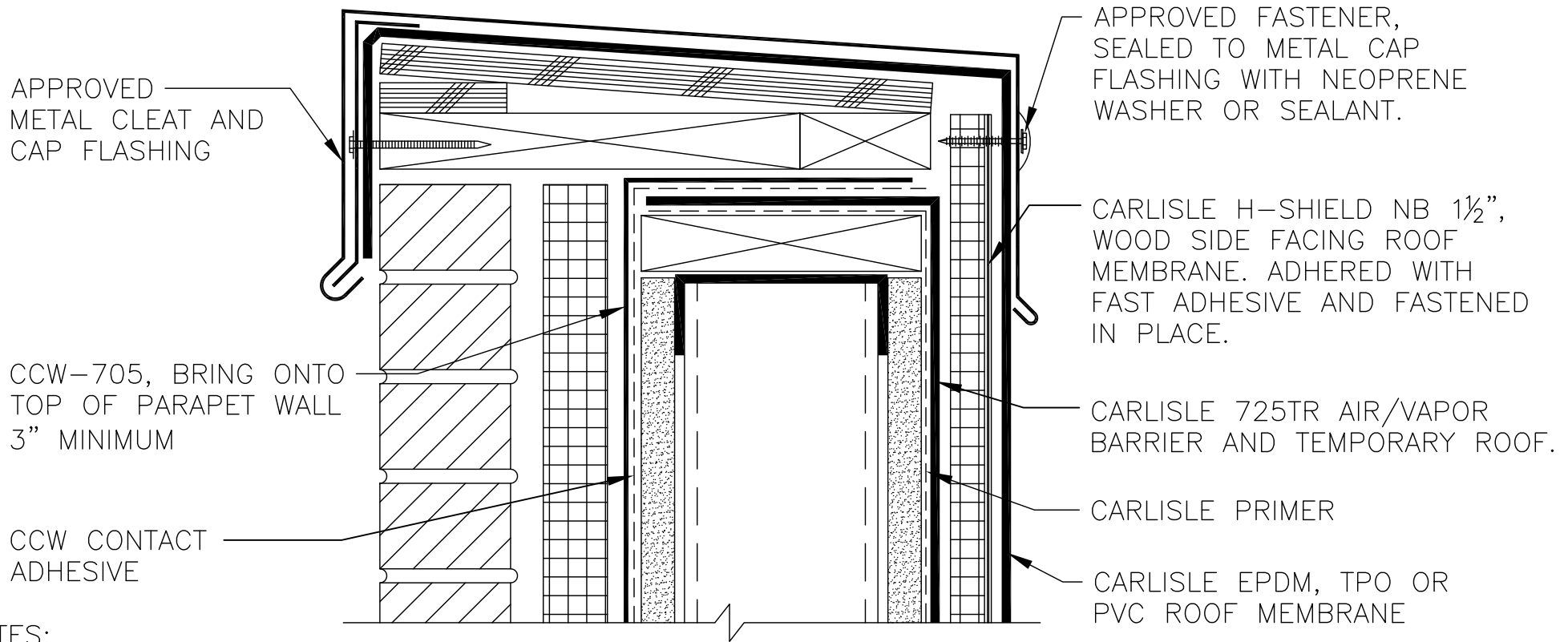
AS A MANUFACTURER OF CONSTRUCTION MATERIALS,
CARLISLE, DOES NOT ASSUME RESPONSIBILITY FOR ERRORS
IN DESIGN OR ENGINEERING. ARCHITECT OR OWNERS
REPRESENTATIVE MUST VERIFY SUITABILITY OF DETAILS.

705-11F

CCW-705 TIE-IN TO EPDM
ROOF AT PARAPET OPTION #2

CARLISLE
COATINGS & WATERPROOFING

© 2016 CARLISLE CORPORATION



NOTES:

1. LAP OF CCW-705 AIR/VAPOR BARRIER AND 725TR AIR/VAPOR BARRIER SYSTEMS SHALL BE 6 INCHES MINIMUM.
2. CONSULT CARLISLE-SYNTEC LITERATURE AND DETAILS FOR 705TR INSTALLATION.

1st: 725TR AIR/VAPOR BARRIER
 2nd: CCW-705 AIR/VAPOR BARRIER

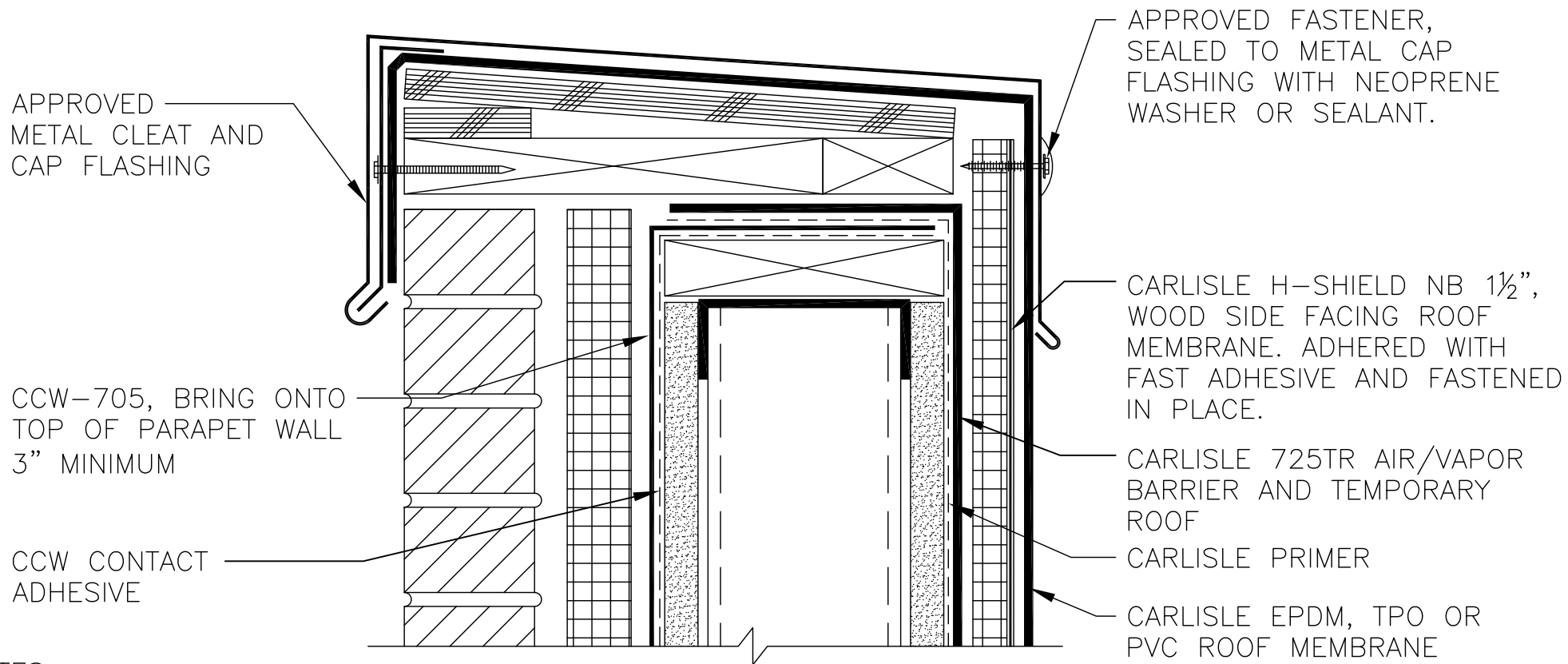
AS A MANUFACTURER OF CONSTRUCTION MATERIALS, CARLISLE, DOES NOT ASSUME RESPONSIBILITY FOR ERRORS IN DESIGN OR ENGINEERING. ARCHITECT OR OWNERS REPRESENTATIVE MUST VERIFY SUITABILITY OF DETAILS.

705-11G

CCW-705 TIE-IN TO ROOF VAPOR RETARDER AT PARAPET OPTION #1



© 2016 CARLISLE CORPORATION



NOTES:

1. LAP OF CCW-705 AIR/VAPOR BARRIER AND 725TR AIR/VAPOR BARRIER SYSTEMS SHALL BE 6 INCHES MINIMUM.
2. CONSULT CARLISLE-SYNTEC LITERATURE AND DETAILS FOR 705TR INSTALLATION.

1st: CCW-705 AIR/VAPOR BARRIER
 2nd: 725TR AIR/VAPOR BARRIER

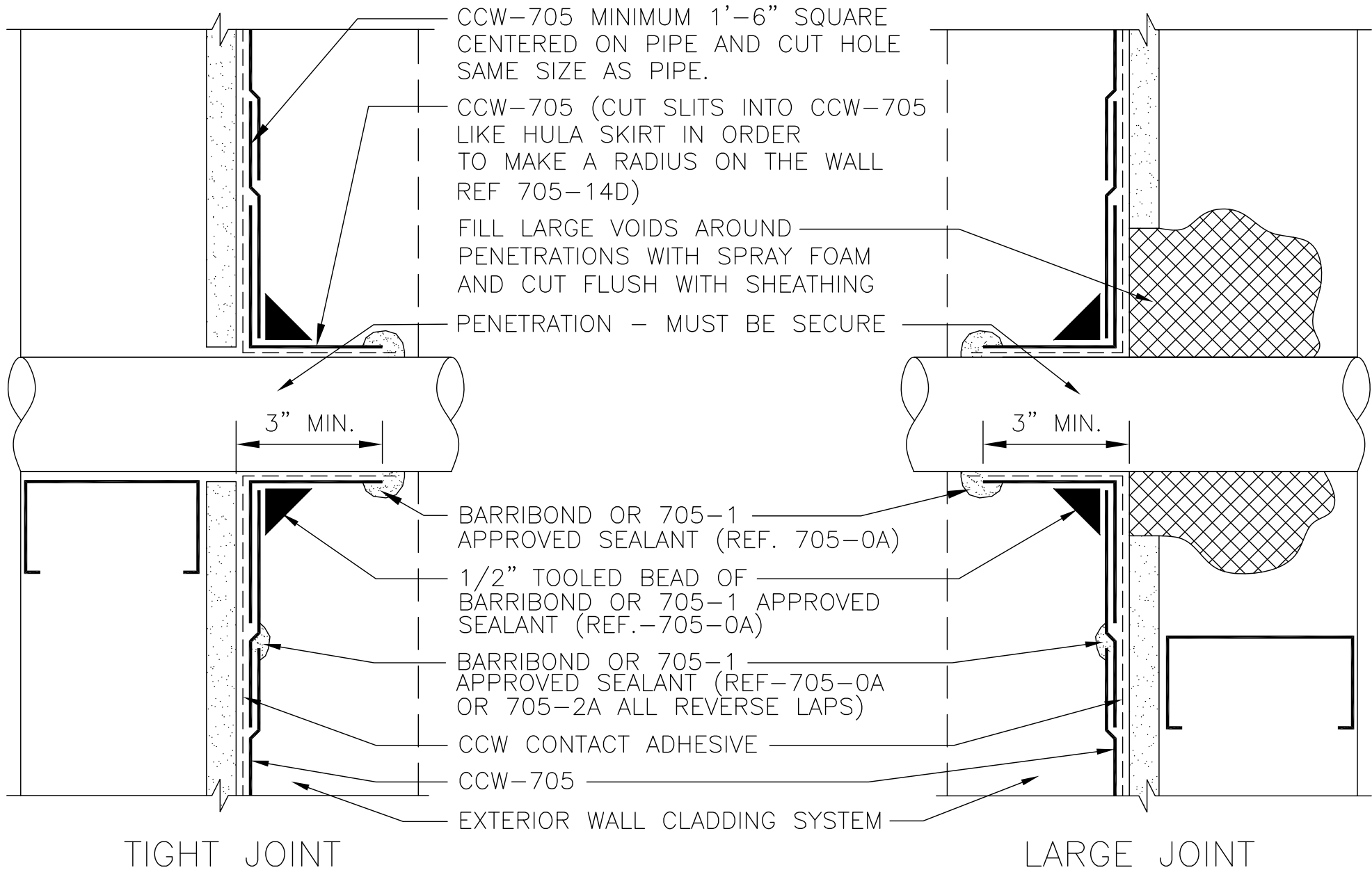
AS A MANUFACTURER OF CONSTRUCTION MATERIALS, CARLISLE, DOES NOT ASSUME RESPONSIBILITY FOR ERRORS IN DESIGN OR ENGINEERING. ARCHITECT OR OWNERS REPRESENTATIVE MUST VERIFY SUITABILITY OF DETAILS.

705-11H

CCW-705 TIE-IN TO ROOF VAPOR RETARDER AT PARAPET OPTION #2



© 2016 CARLISLE CORPORATION



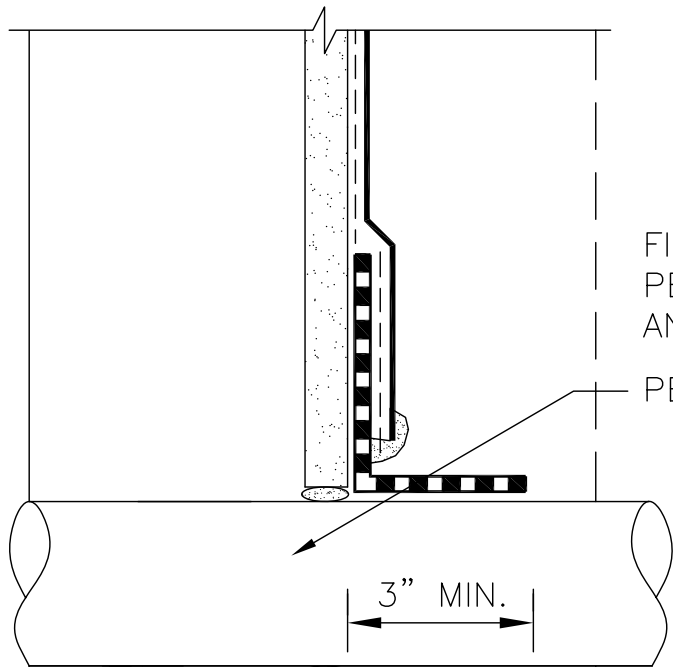
AS A MANUFACTURER OF CONSTRUCTION MATERIALS, CARLISLE, DOES NOT ASSUME RESPONSIBILITY FOR ERRORS IN DESIGN OR ENGINEERING. ARCHITECT OR OWNERS REPRESENTATIVE MUST VERIFY SUITABILITY OF DETAILS.

705-14A

PIPE PENETRATION



© 2016 CARLISLE CORPORATION

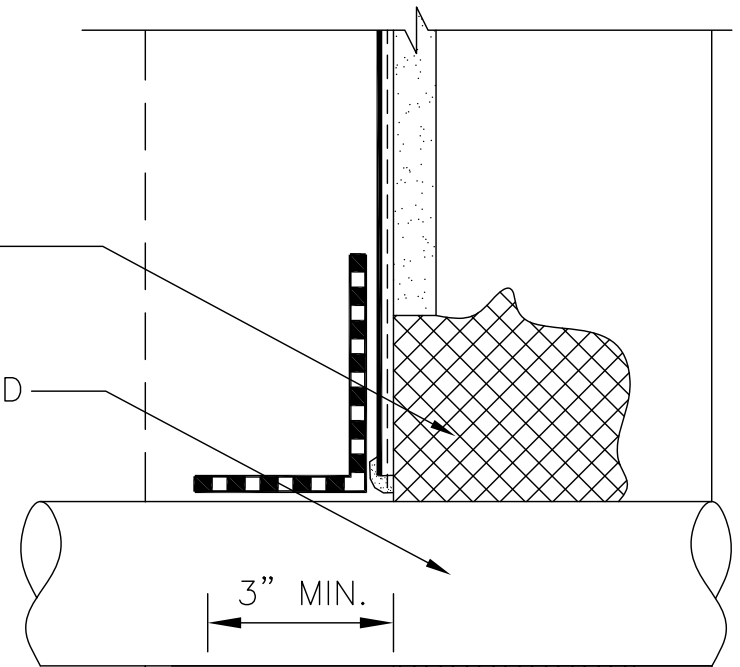


FILL LARGE VOIDS AROUND PENETRATIONS WITH SPRAY FOAM AND CUT FLUSH WITH SHEATHING

PENETRATION - MUST BE SECURED

NOTES:

1. REFER TO ISOMETRIC DRAWING SHOWING LIQUIFIBER AROUND PIPE. (REF BNP-14D)



BARRIBOND, BT-1 OR BT-2 APPROVED SEALANT (REF BNP-0A)

CCW LIQUIFIBER ENCAPSULATED IN BARRITECH NP (REF BNP-1B, BNP-1C, BNP-2C, BNP-14D)

CCW CONTACT ADHESIVE

CCW-705

EXTERIOR SHEATHING

EXTERIOR WALL CLADDING SYSTEM

3" MIN.

3" MIN.

TIGHT JOINT

LARGE JOINT

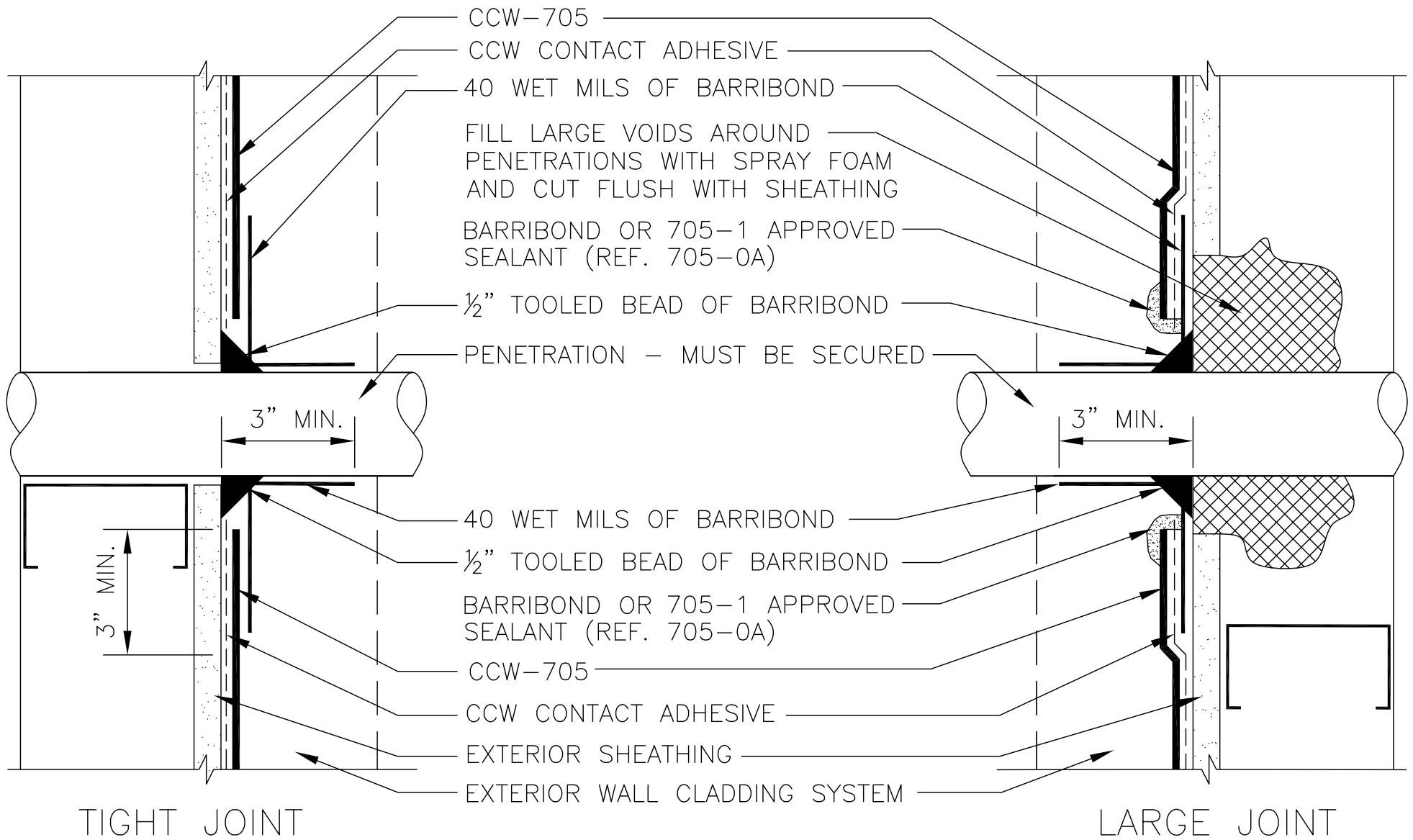
AS A MANUFACTURER OF CONSTRUCTION MATERIALS, CARLISLE, DOES NOT ASSUME RESPONSIBILITY FOR ERRORS IN DESIGN OR ENGINEERING. ARCHITECT OR OWNERS REPRESENTATIVE MUST VERIFY SUITABILITY OF DETAILS.

705-14B

LIQUIFIBER REINFORCING FABRIC AT PIPE PENETRATION



© 2016 CARLISLE CORPORATION



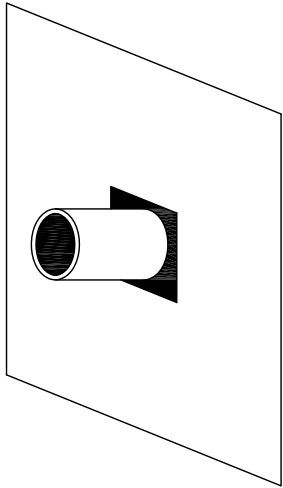
AS A MANUFACTURER OF CONSTRUCTION MATERIALS, CARLISLE, DOES NOT ASSUME RESPONSIBILITY FOR ERRORS IN DESIGN OR ENGINEERING. ARCHITECT OR OWNERS REPRESENTATIVE MUST VERIFY SUITABILITY OF DETAILS.

705-14C

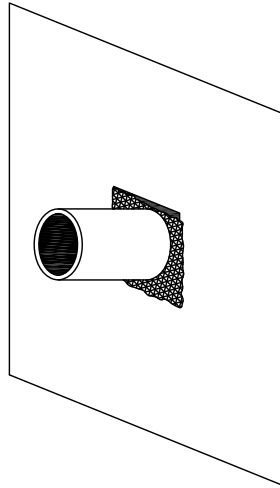
BARRIBOND LIQUID FLASHING AT PIPE PENETRATION



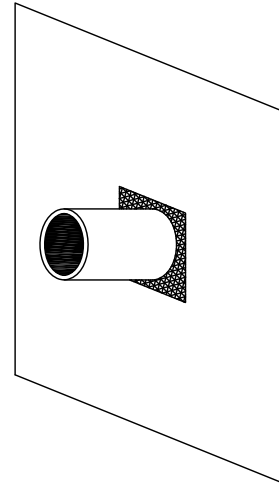
© 2016 CARLISLE CORPORATION



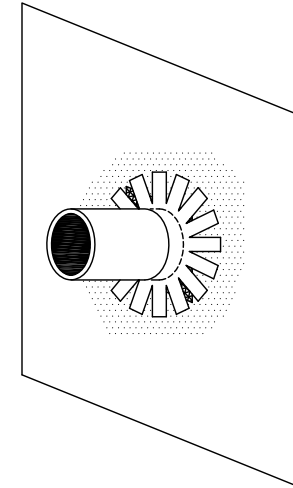
PIPE PENETRATION



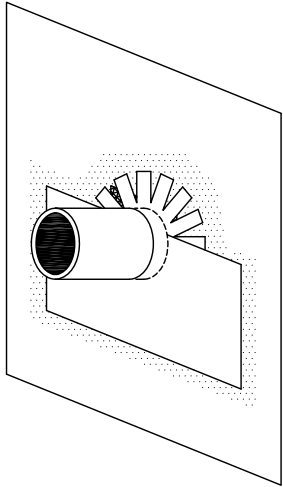
FILL TIGHTER GAPS WITH 705-1 APPROVED SEALANT. FILL ROUGH GAPS WITH SPRAY FOAM



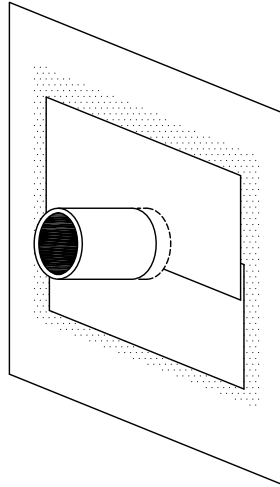
SHAVE SPAY FOAM FLUSH AFTER CURE



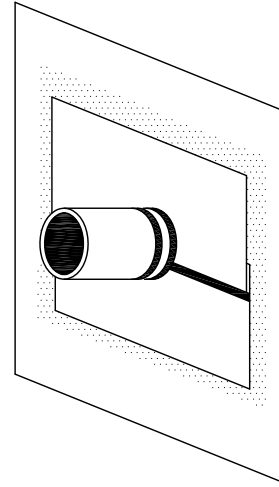
PREP SURFACE WITH CCW CONTACT ADHESIVE. INSTALL HULA SKIRT CUT CCW-705 STRIP AROUND PIPE AS SHOWN



INSTALL CCW-705 STRIP BELOW PIPE



INSTALL CCW-705 STRIP ABOVE PIPE



SEAL TERMINATION, PIPE BASE AND ALL CUT EDGES WITH BARRIBOND, 705-1 OR 705-2 APPROVED SEALANT

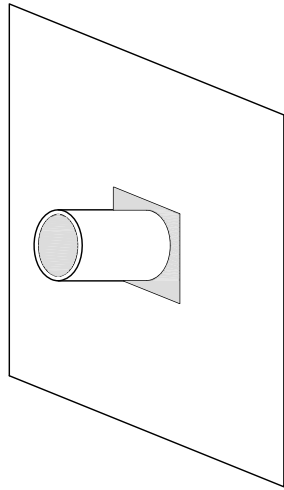
AS A MANUFACTURER OF CONSTRUCTION MATERIALS, CARLISLE, DOES NOT ASSUME RESPONSIBILITY FOR ERRORS IN DESIGN OR ENGINEERING. ARCHITECT OR OWNERS REPRESENTATIVE MUST VERIFY SUITABILITY OF DETAILS.

705-14D

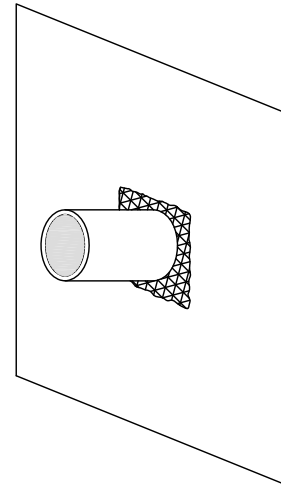
INSTALLATION SEQUENCE CCW-705
AT PIPE PENETRATION

CARLISLE
COATINGS & WATERPROOFING

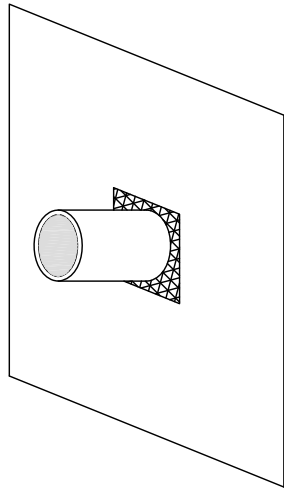
© 2016 CARLISLE CORPORATION



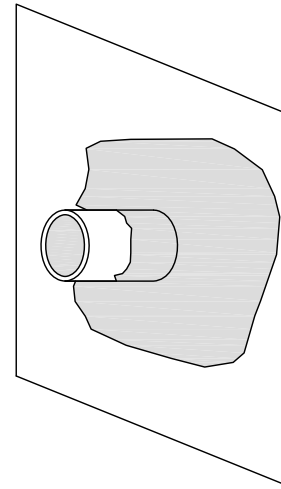
PIPE PENETRATION
WITH ROUGH GAP



FILL TIGHTER GAPS WITH
BARRIBOND. FILL ROUGH
GAPS WITH EXPANDING FOAM



SHAVE FOAM FLUSH
AFTER CURE



APPLY BARRIBOND AT
40 WET MILS A MIN.
OF 3" ONTO PIPE AND
3" ONTO WALL

AS A MANUFACTURER OF CONSTRUCTION MATERIALS,
CARLISLE, DOES NOT ASSUME RESPONSIBILITY FOR ERRORS
IN DESIGN OR ENGINEERING. ARCHITECT OR OWNERS
REPRESENTATIVE MUST VERIFY SUITABILITY OF DETAILS.

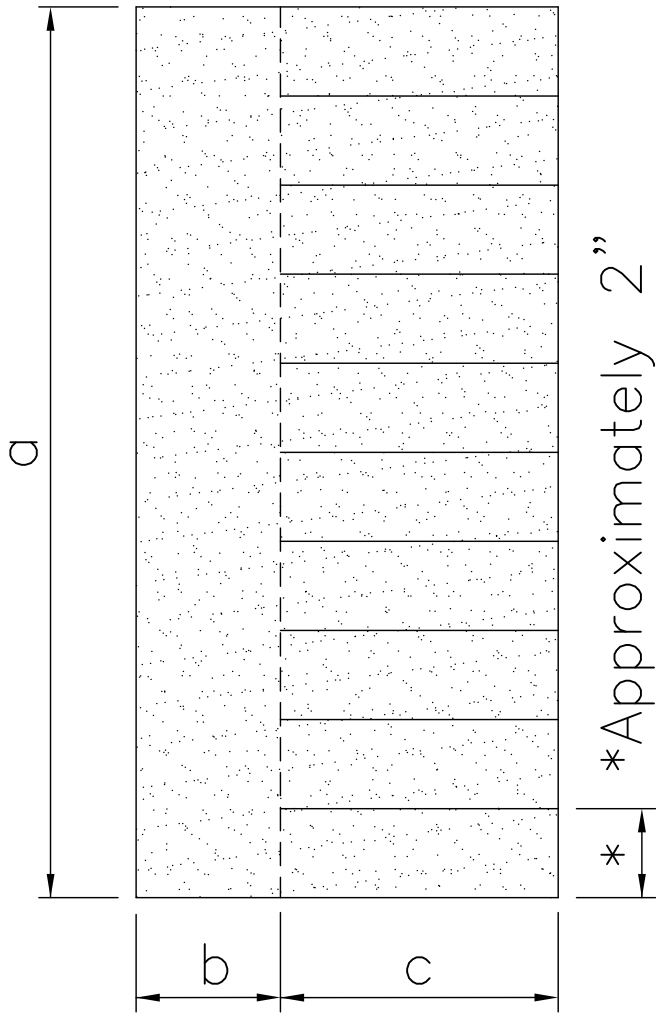
705-14E

INSTALLATION SEQUENCE
BARRIBOND AT PIPE PENETRATION



© 2016 CARLISLE CORPORATION

PIECE TO INSTALL
AROUND PIPE

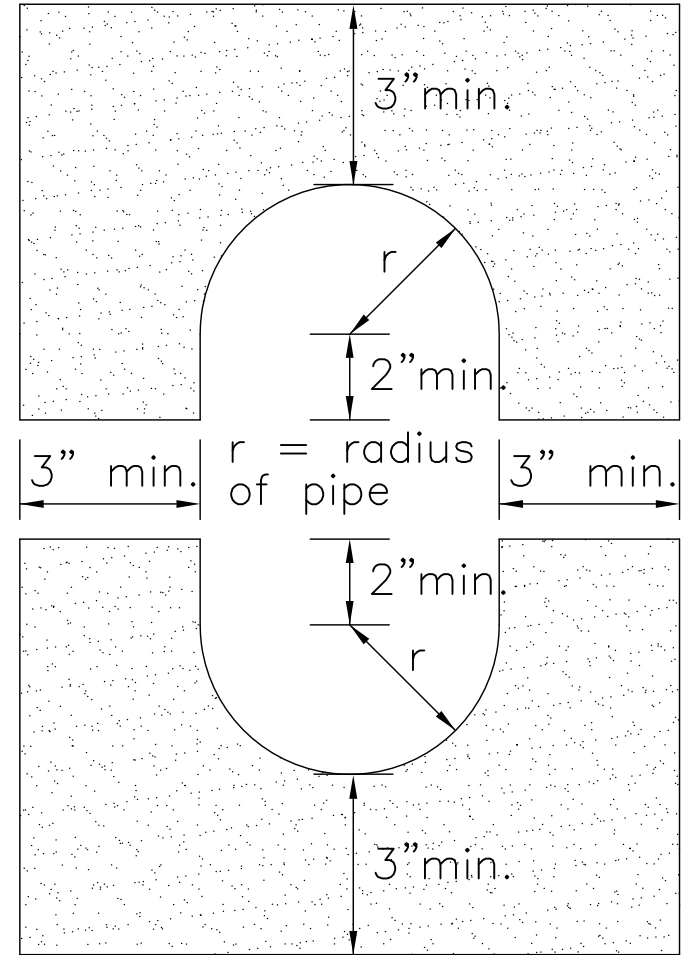


a = pipe
circumference
plus 3" to 4"

b \geq 3"

c \geq 3"

PIECE TO INSTALL
ABOVE PIPE



PIECE TO INSTALL
BELOW PIPE

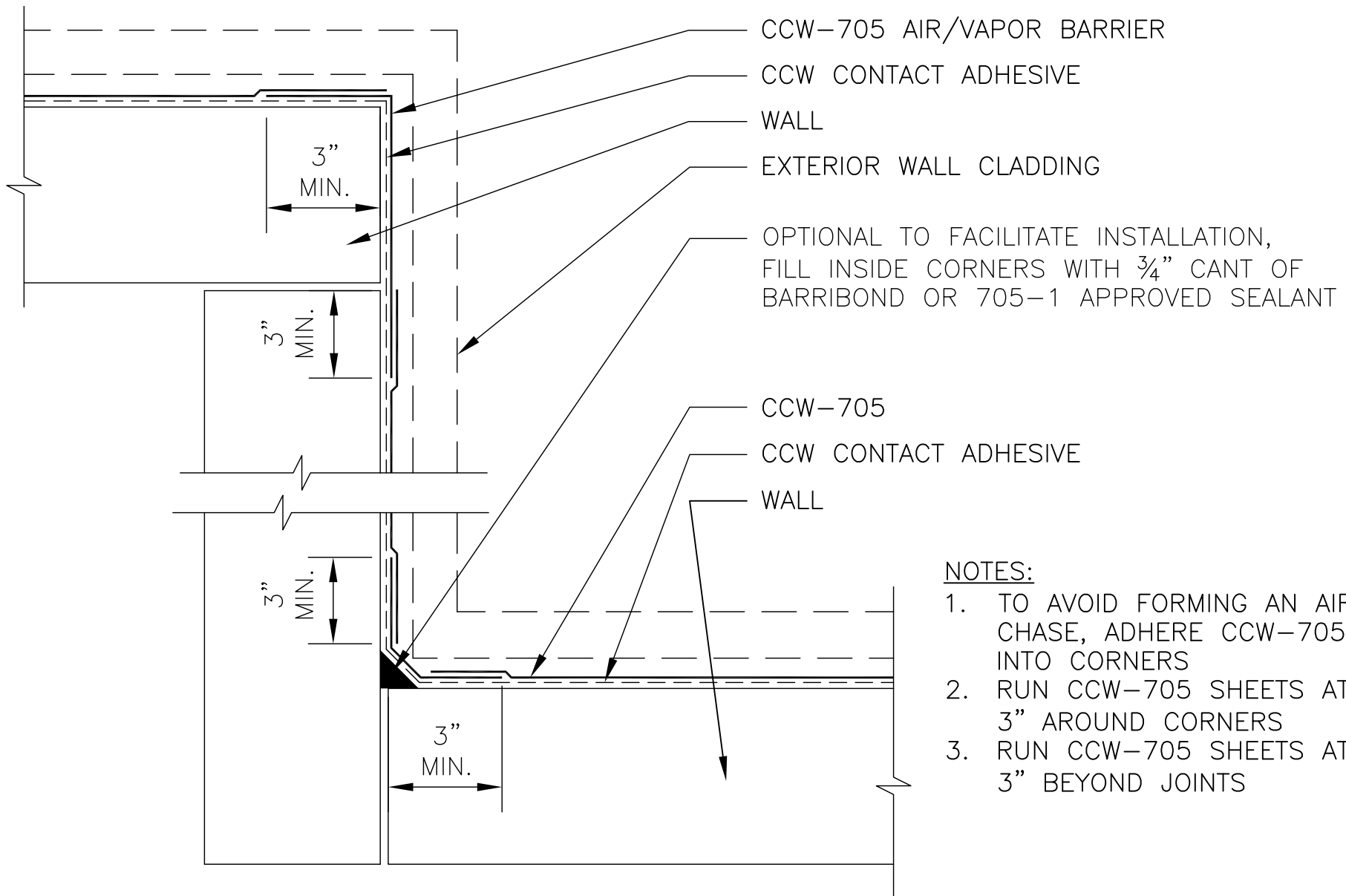
AS A MANUFACTURER OF CONSTRUCTION MATERIALS,
CARLISLE, DOES NOT ASSUME RESPONSIBILITY FOR ERRORS
IN DESIGN OR ENGINEERING. ARCHITECT OR OWNERS
REPRESENTATIVE MUST VERIFY SUITABILITY OF DETAILS.

705-14F

CUTTING CCW-705 STRIPS
FOR PIPE PENETRATION DETAIL



© 2016 CARLISLE CORPORATION



NOTES:

1. TO AVOID FORMING AN AIR/WATER CHASE, ADHERE CCW-705 TIGHTLY INTO CORNERS
2. RUN CCW-705 SHEETS AT LEAST 3" AROUND CORNERS
3. RUN CCW-705 SHEETS AT LEAST 3" BEYOND JOINTS

AS A MANUFACTURER OF CONSTRUCTION MATERIALS, CARLISLE, DOES NOT ASSUME RESPONSIBILITY FOR ERRORS IN DESIGN OR ENGINEERING. ARCHITECT OR OWNERS REPRESENTATIVE MUST VERIFY SUITABILITY OF DETAILS.

705-15A

CCW-705 INSIDE -
OUTSIDE CORNERS



© 2016 CARLISLE CORPORATION

NOTES:

1. ALL SURFACES ACCEPTING CCW-705, CCW-705-TWF AND CCW-MIRADRI 860/861 STRIPS SHALL BE PREPARED WITH CCW CONTACT ADHESIVE

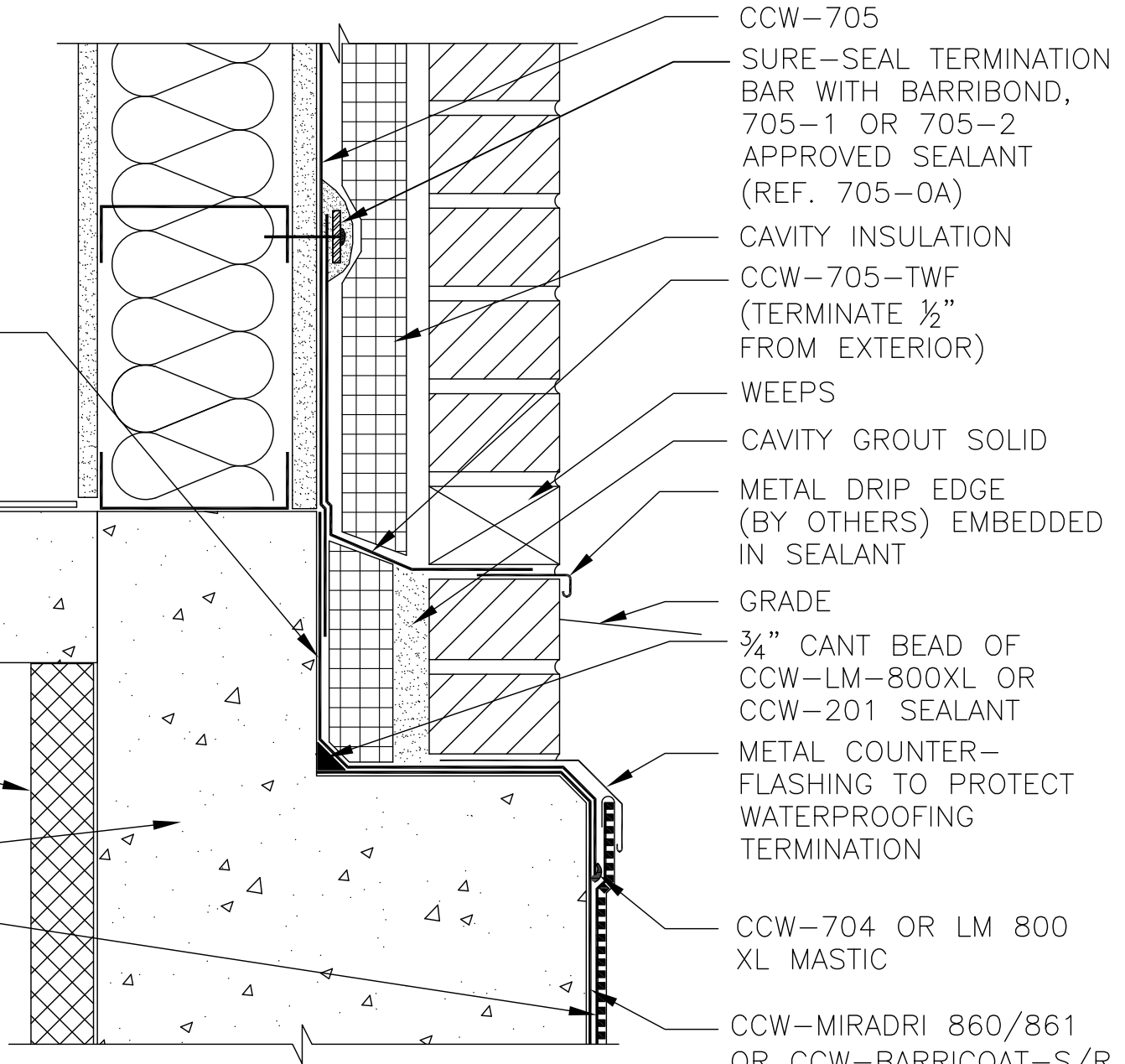
CCW-MIRADRI 860/861 STRIP. LAP 6" MINIMUM ONTO BELOW GRADE WATERPROOFING SYSTEM AND TERMINATE WITH MASTIC. PEEL BACK DRAINAGE COMPOSITE FOR ACCESS IF NECESSARY

SLAB

BELOW GRADE INSULATION. R-VALUE TO CODE

FOUNDATION

CCW MIRADRAIN DRAINAGE COMPOSITE



CCW-705

SURE-SEAL TERMINATION BAR WITH BARRIBOND, 705-1 OR 705-2 APPROVED SEALANT (REF. 705-0A)

CAVITY INSULATION

CCW-705-TWF (TERMINATE 1/2" FROM EXTERIOR)

WEEPS

CAVITY GROUT SOLID

METAL DRIP EDGE (BY OTHERS) EMBEDDED IN SEALANT

GRADE

3/4" CANT BEAD OF CCW-LM-800XL OR CCW-201 SEALANT

METAL COUNTER-FLASHING TO PROTECT WATERPROOFING TERMINATION

CCW-704 OR LM 800 XL MASTIC

CCW-MIRADRI 860/861 OR CCW-BARRICOAT-S/R

AS A MANUFACTURER OF CONSTRUCTION MATERIALS, CARLISLE, DOES NOT ASSUME RESPONSIBILITY FOR ERRORS IN DESIGN OR ENGINEERING. ARCHITECT OR OWNERS REPRESENTATIVE MUST VERIFY SUITABILITY OF DETAILS.

705-16A

CCW-705
FOUNDATION TIE-IN

CARLISLE
COATINGS & WATERPROOFING

© 2016 CARLISLE CORPORATION