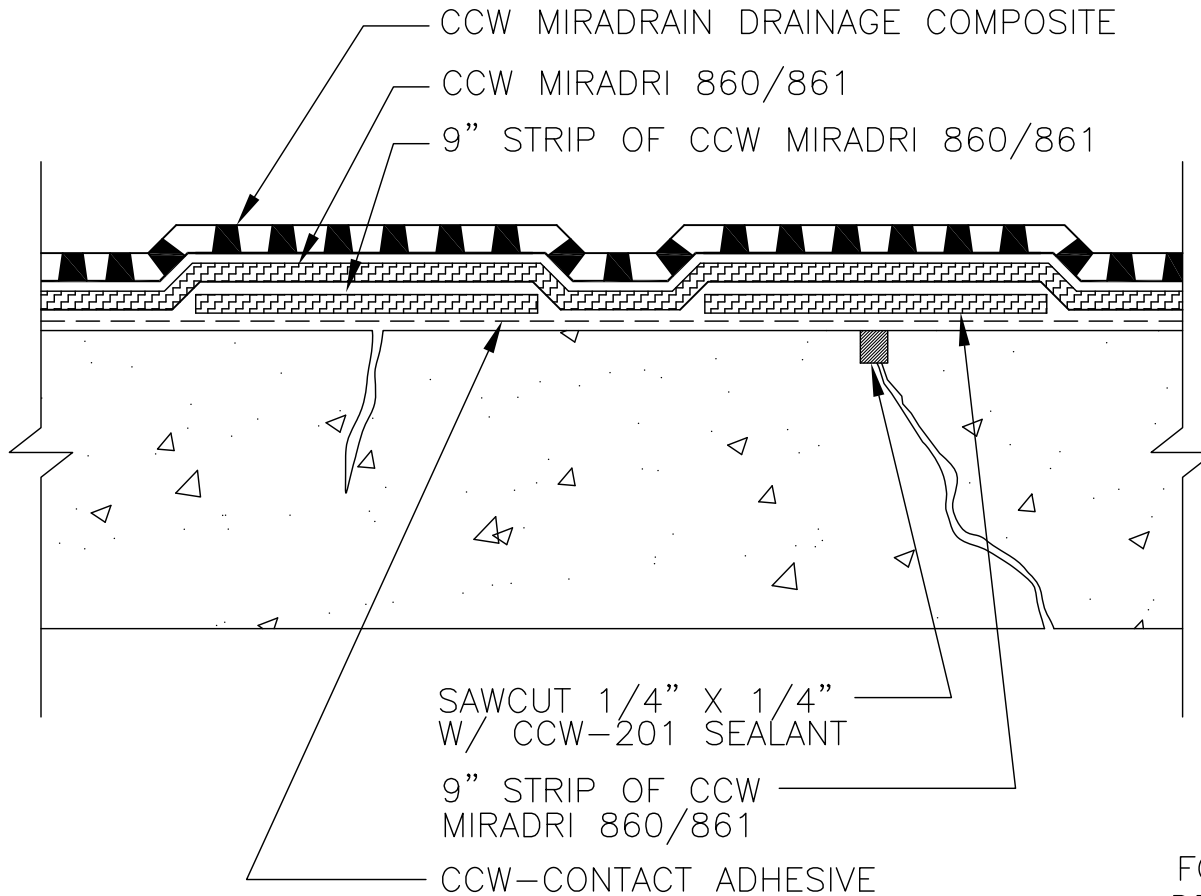


CRACK LESS THAN  
1/16" WIDE

CRACK GREATER THAN  
1/16" WIDE



NOTES:

1. SAW CUT CRACKS GREATER THAN 1/16" TO 1/4" WIDE X 1/4" DEEP.
2. REMOVE DUST AND APPLY CCW-201 SEALANT, TOOL FLUSH AND ALLOW TO DRY OVERNIGHT.
3. APPLY 9" STRIP OF CCW MIRADRI 860/861 DETAIL COAT OVER HAIRLINE CRACKS, COLD JOINTS. INSTALL CCW MIRADRI 860/861
4. INSTALL CCW PROTECTION BOARD OR CCW MIRADRAIN DRAINAGE COMPOSITE.

WARRANTY NOTES

FOR ULTRA WARRANTY USE CCW MIRADRAIN DRAINAGE COMPOSITE AND CCW LIQUI-DECK INSTEAD OF CCW CONTACT ADHESIVE ON PLAZA DECK APPLICATIONS.

AS A MANUFACTURER OF CONSTRUCTION MATERIALS, CARLISLE, DOES NOT ASSUME RESPONSIBILITY FOR ERRORS IN DESIGN OR ENGINEERING. ARCHITECT OR OWNERS REPRESENTATIVE MUST VERIFY SUITABILITY OF DETAILS.

860-1A

CRACK TREATMENT



© 2016 CARLISLE CORPORATION

SEE TERMINATION  
DETAIL 860-9

CCW-CONTACT ADHESIVE

CCW MIRADRAIN DRAINAGE  
COMPOSITE, CCW PROTECTION  
BOARD OR CCW-200V

CCW MIRADRI 860/861

9" MIN. DETAIL STRIP OF  
CCW-MIRADRI 860/861

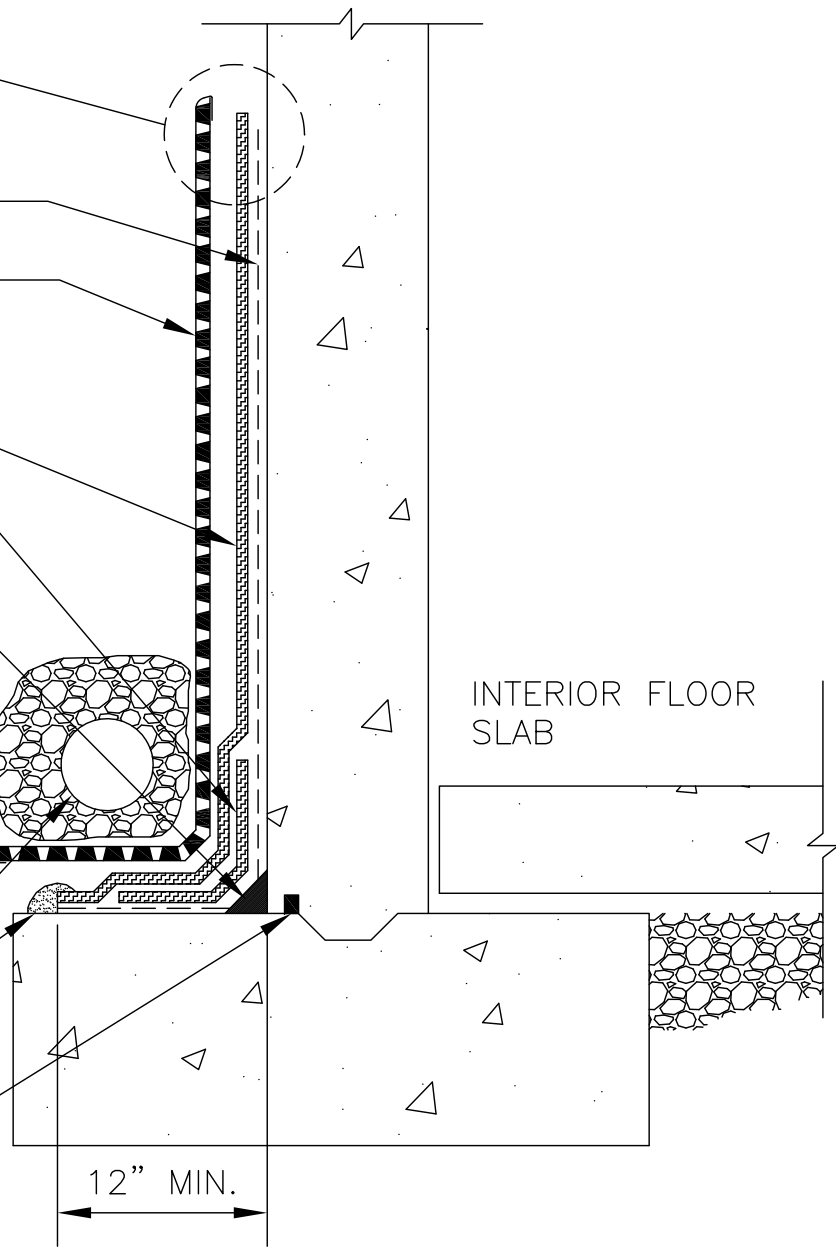
CCW-201 SEALANT,  
CCW-LM-800XL OR  
CCW-703V CANT  
BEAD WITH 3/4" FACE

FILTER FABRIC

DRAIN PIPE & ROCK

CCW-704 MASTIC,  
CCW-703V LIQUISEAL,  
CCW-201 OR  
CCW-LM-800XL

CCW MIRASTOP  
WATERSTOP



INTERIOR FLOOR  
SLAB

12" MIN.

AS A MANUFACTURER OF CONSTRUCTION MATERIALS,  
CARLISLE, DOES NOT ASSUME RESPONSIBILITY FOR ERRORS  
IN DESIGN OR ENGINEERING. ARCHITECT OR OWNERS  
REPRESENTATIVE MUST VERIFY SUITABILITY OF DETAILS.

860-2A

FOOTING CROSS SECTION



© 2016 CARLISLE CORPORATION

SEE TERMINATION  
DETAIL 860-9

CCW-CONTACT ADHESIVE

CCW MIRADRAIN DRAINAGE  
COMPOSITE, CCW PROTECTION  
BOARD OR CCW-200V

CCW MIRADRI 860/861

CCW-704 MASTIC,  
CCW-703V LIQUISEAL,  
CCW-201 OR  
CCW-LM-800XL

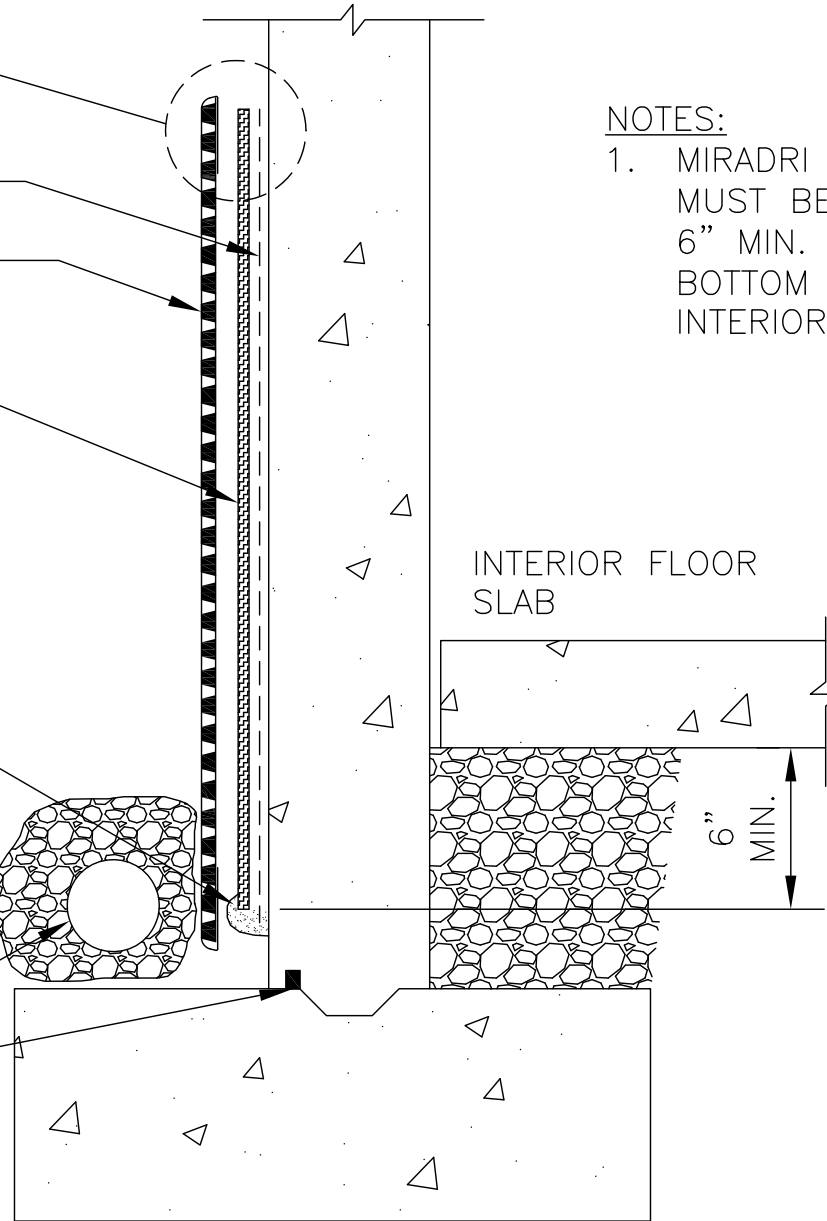
FILTER FABRIC

DRAIN PIPE & ROCK

CCW MIRASTOP  
WATERSTOP

NOTES:

1. MIRADRI 860/861  
MUST BE INSTALLED  
6" MIN. BELOW THE  
BOTTOM SIDE OF THE  
INTERIOR SLAB.



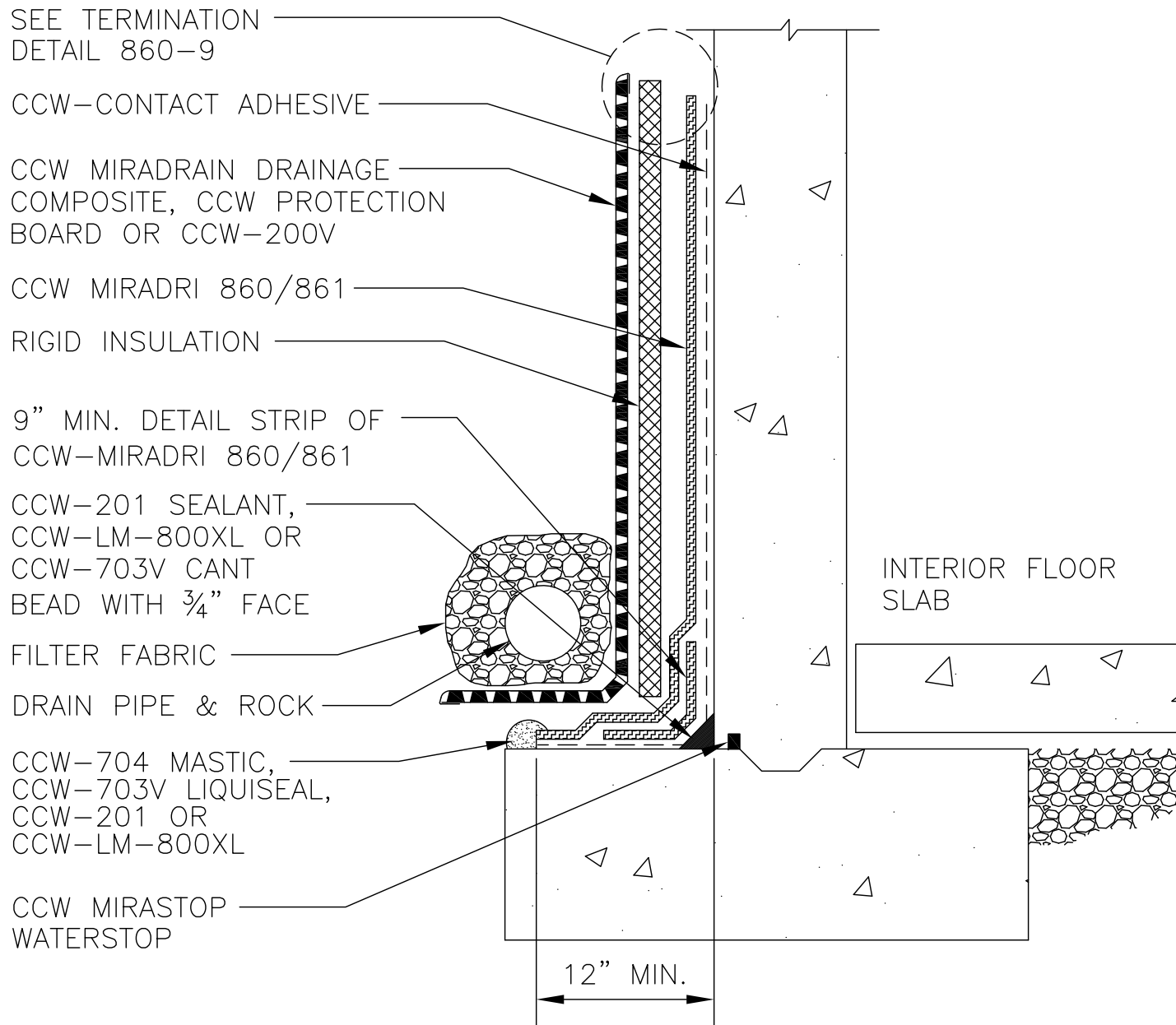
AS A MANUFACTURER OF CONSTRUCTION MATERIALS,  
CARLISLE, DOES NOT ASSUME RESPONSIBILITY FOR ERRORS  
IN DESIGN OR ENGINEERING. ARCHITECT OR OWNERS  
REPRESENTATIVE MUST VERIFY SUITABILITY OF DETAILS.

860-2B

ELEVATED INTERIOR SLAB  
FOOTING CROSS SECTION

**CARLISLE**  
COATINGS & WATERPROOFING

© 2016 CARLISLE CORPORATION



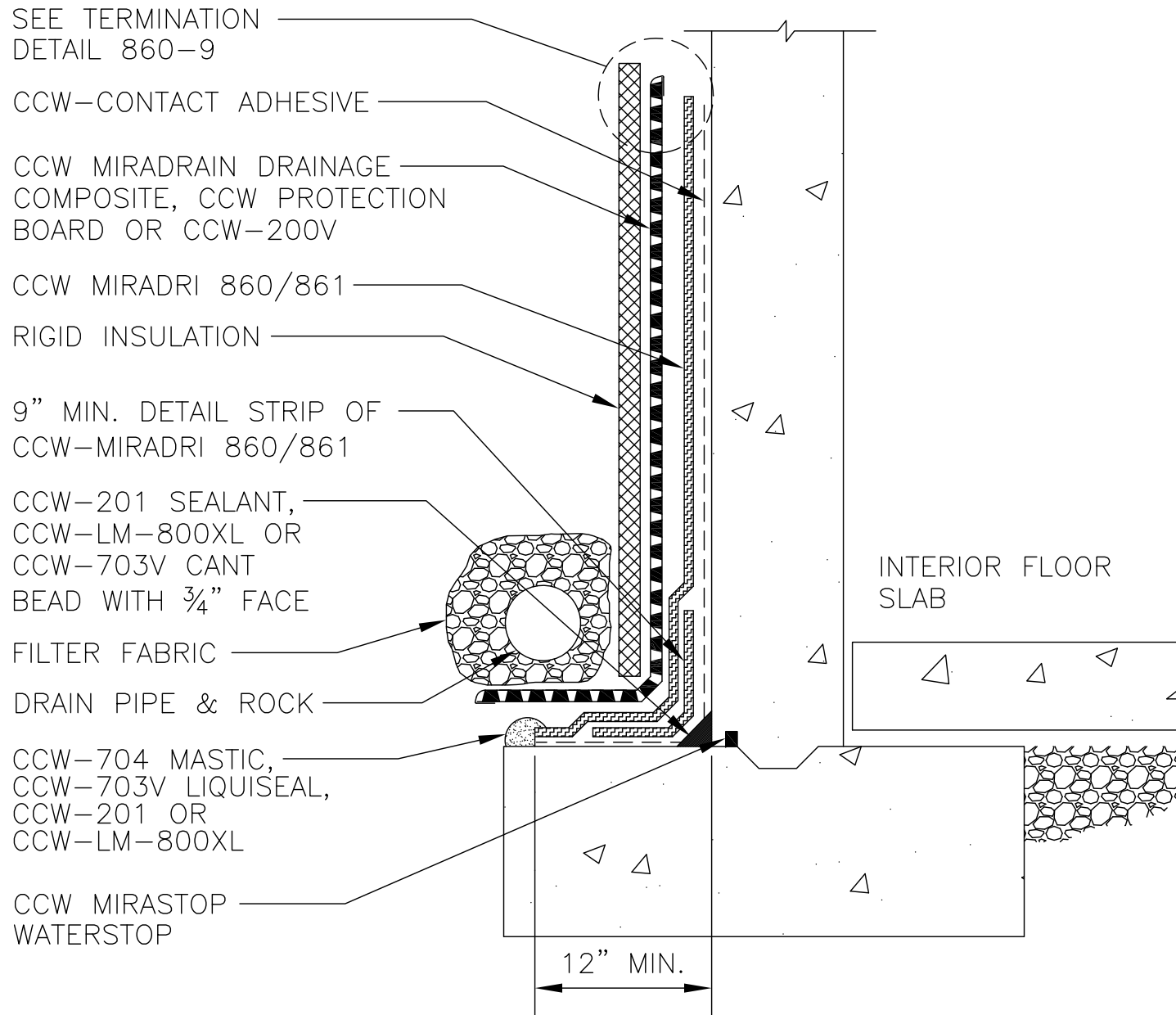
AS A MANUFACTURER OF CONSTRUCTION MATERIALS,  
CARLISLE, DOES NOT ASSUME RESPONSIBILITY FOR ERRORS  
IN DESIGN OR ENGINEERING. ARCHITECT OR OWNERS  
REPRESENTATIVE MUST VERIFY SUITABILITY OF DETAILS.

860-2C

FOOTING CROSS SECTION  
WITH INSULATION

**CARLISLE**  
COATINGS & WATERPROOFING

© 2016 CARLISLE CORPORATION



AS A MANUFACTURER OF CONSTRUCTION MATERIALS,  
CARLISLE, DOES NOT ASSUME RESPONSIBILITY FOR ERRORS  
IN DESIGN OR ENGINEERING. ARCHITECT OR OWNERS  
REPRESENTATIVE MUST VERIFY SUITABILITY OF DETAILS.

860-2D

FOOTING CROSS SECTION  
WITH INSULATION

**CARLISLE**  
COATINGS & WATERPROOFING

© 2016 CARLISLE CORPORATION

SEE TERMINATION  
DETAIL 860-9

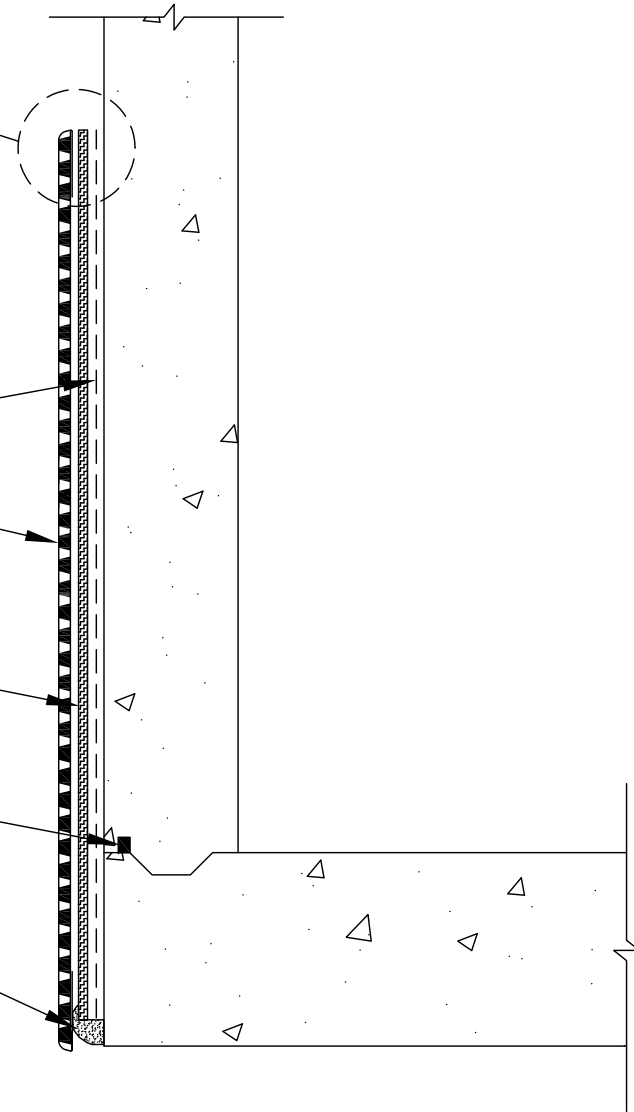
CCW-CONTACT ADHESIVE

CCW MIRADRAIN DRAINAGE  
COMPOSITE, CCW PROTECTION  
BOARD OR CCW-200V

CCW MIRADRI 860/861

CCW MIRASTOP  
WATERSTOP

CCW-704 MASTIC,  
CCW-703V LIQUISEAL,  
CCW-201 OR  
CCW-LM-800XL



AS A MANUFACTURER OF CONSTRUCTION MATERIALS,  
CARLISLE, DOES NOT ASSUME RESPONSIBILITY FOR ERRORS  
IN DESIGN OR ENGINEERING. ARCHITECT OR OWNERS  
REPRESENTATIVE MUST VERIFY SUITABILITY OF DETAILS.

860-2E

MAT SLAB  
CROSS SECTION

**CARLISLE**  
COATINGS & WATERPROOFING

© 2016 CARLISLE CORPORATION

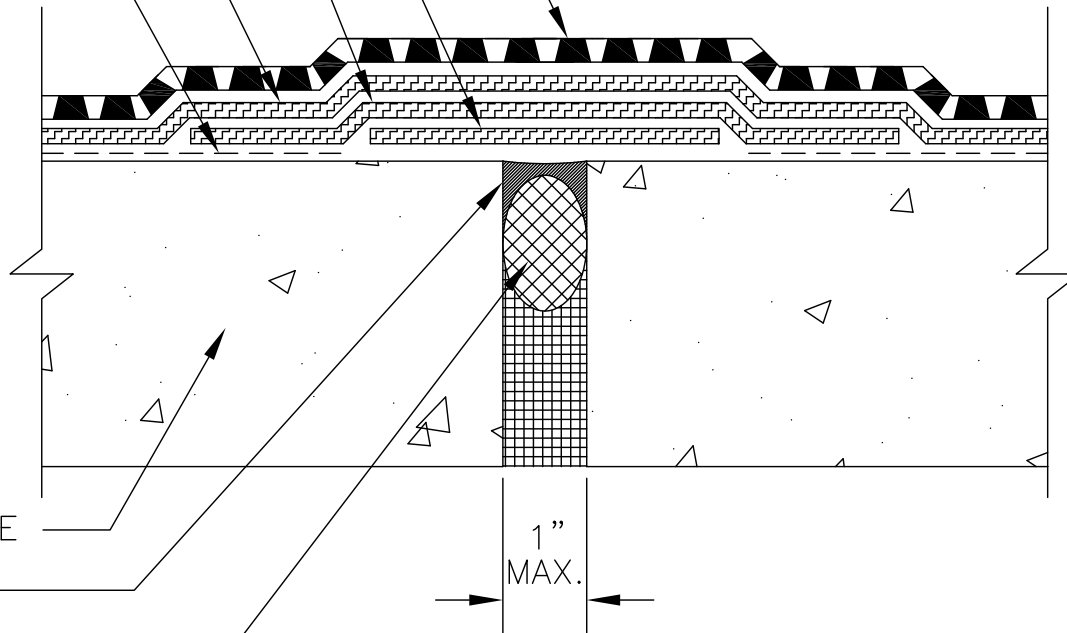
CCW MIRADRAIN DRAINAGE  
COMPOSITE, CCW PROTECTION  
BOARD OR CCW-300HV

CCW MIRADRI 860/861  
9" INVERTED STRIP

CCW MIRADRI 860/861  
18" STRIP

CCW MIRADRI 860/861

CCW-CONTACT ADHESIVE



CONCRETE SUBSTRATE

CCW-201 SEALANT

CLOSED CELL BACKER ROD  
AND SEALANT

1"  
MAX.

WARRANTY NOTES

FOR ULTRA WARRANTY USE CCW MIRADRAIN  
DRAINAGE COMPOSITE AND CCW LIQUI-DECK  
INSTEAD OF CCW CONTACT ADHESIVE ON  
PLAZA DECK APPLICATIONS.

AS A MANUFACTURER OF CONSTRUCTION MATERIALS,  
CARLISLE, DOES NOT ASSUME RESPONSIBILITY FOR ERRORS  
IN DESIGN OR ENGINEERING. ARCHITECT OR OWNERS  
REPRESENTATIVE MUST VERIFY SUITABILITY OF DETAILS.

860-3A

1" EXPANSION JOINT COVER  
(DECK OR WALL)

**CARLISLE**  
COATINGS & WATERPROOFING

© 2016 CARLISLE CORPORATION

ANY 860-9 TERMINATION DETAIL

CCW-CONTACT ADHESIVE

CCW MIRADRI 860/861

CCW MIRADRI 860 18" STRIP

CCW MIRADRI 860 9" INVERTED STRIP

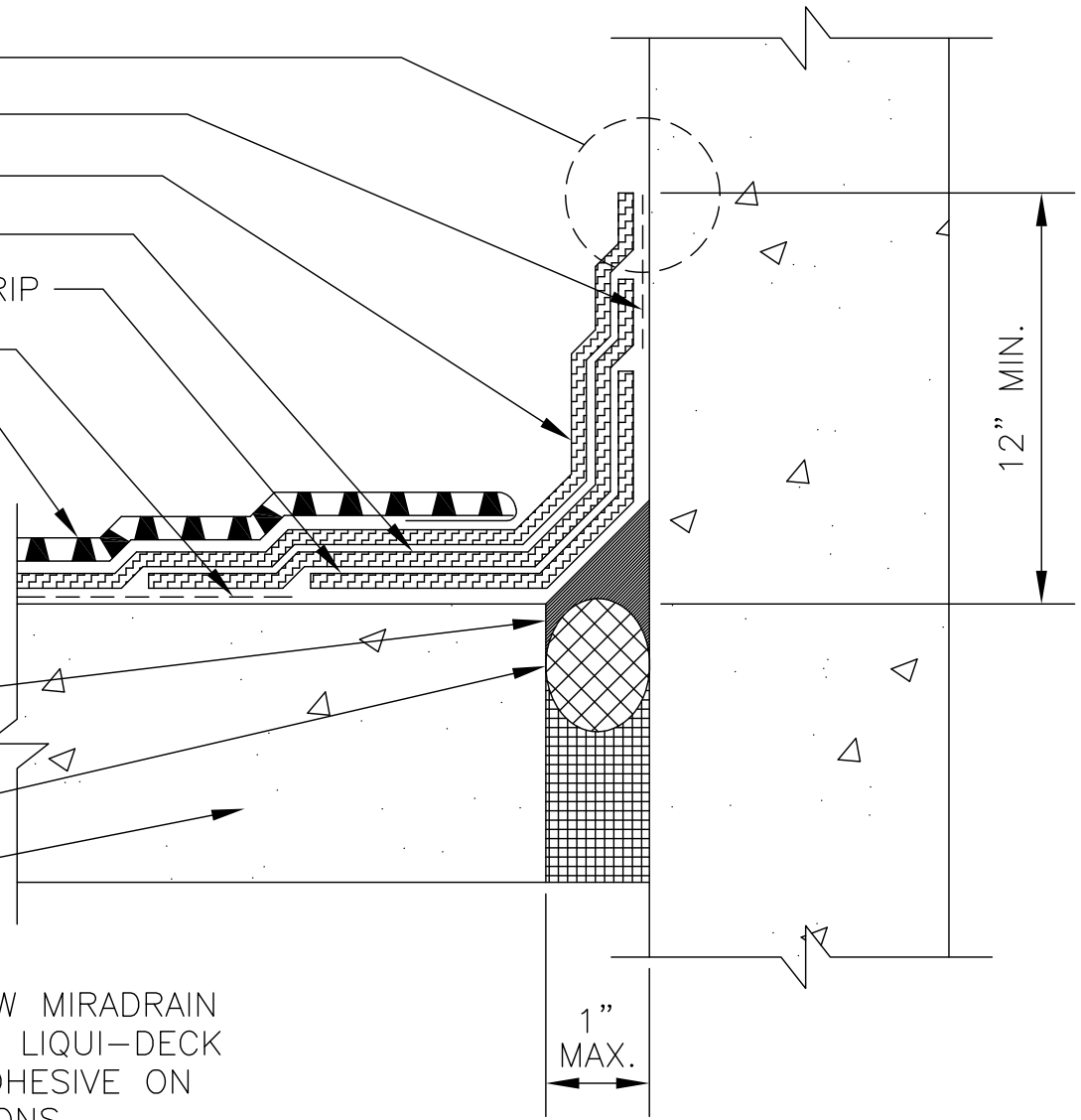
CCW-CONTACT ADHESIVE

CCW MIRADRAIN DRAINAGE  
COMPOSITE, CCW PROTECTION  
BOARD OR CCW-300HV

CCW-201 SEALANT CANT  
BEAD WITH 3/4" FACE

BACKER ROD

CONCRETE DECK



WARRANTY NOTES

FOR ULTRA WARRANTY USE CCW MIRADRAIN  
DRAINAGE COMPOSITE AND CCW LIQUI-DECK  
INSTEAD OF CCW CONTACT ADHESIVE ON  
PLAZA DECK APPLICATIONS.

AS A MANUFACTURER OF CONSTRUCTION MATERIALS,  
CARLISLE, DOES NOT ASSUME RESPONSIBILITY FOR ERRORS  
IN DESIGN OR ENGINEERING. ARCHITECT OR OWNERS  
REPRESENTATIVE MUST VERIFY SUITABILITY OF DETAILS.

860-3B

1" EXPANSION JOINT COVER  
DECK TO WALL OR CURB



© 2016 CARLISLE CORPORATION



CCW-704 MASTIC, CCW-703V  
LIQUISEAL, CCW-201 OR  
CCW-LM-800XL

SURE-SEAL TERMINATION BAR

CCW MIRADRI 860/861

CCW-CONTACT ADHESIVE

CCW MIRADRI 860 18" STRIP

CCW MIRADRI 860 9" INVERTED STRIP

BACKER ROD (1½" x JT. WIDTH)

CCW MIRADRAIN DRAINAGE  
COMPOSITE, CCW PROTECTION  
BOARD OR CCW-300HV

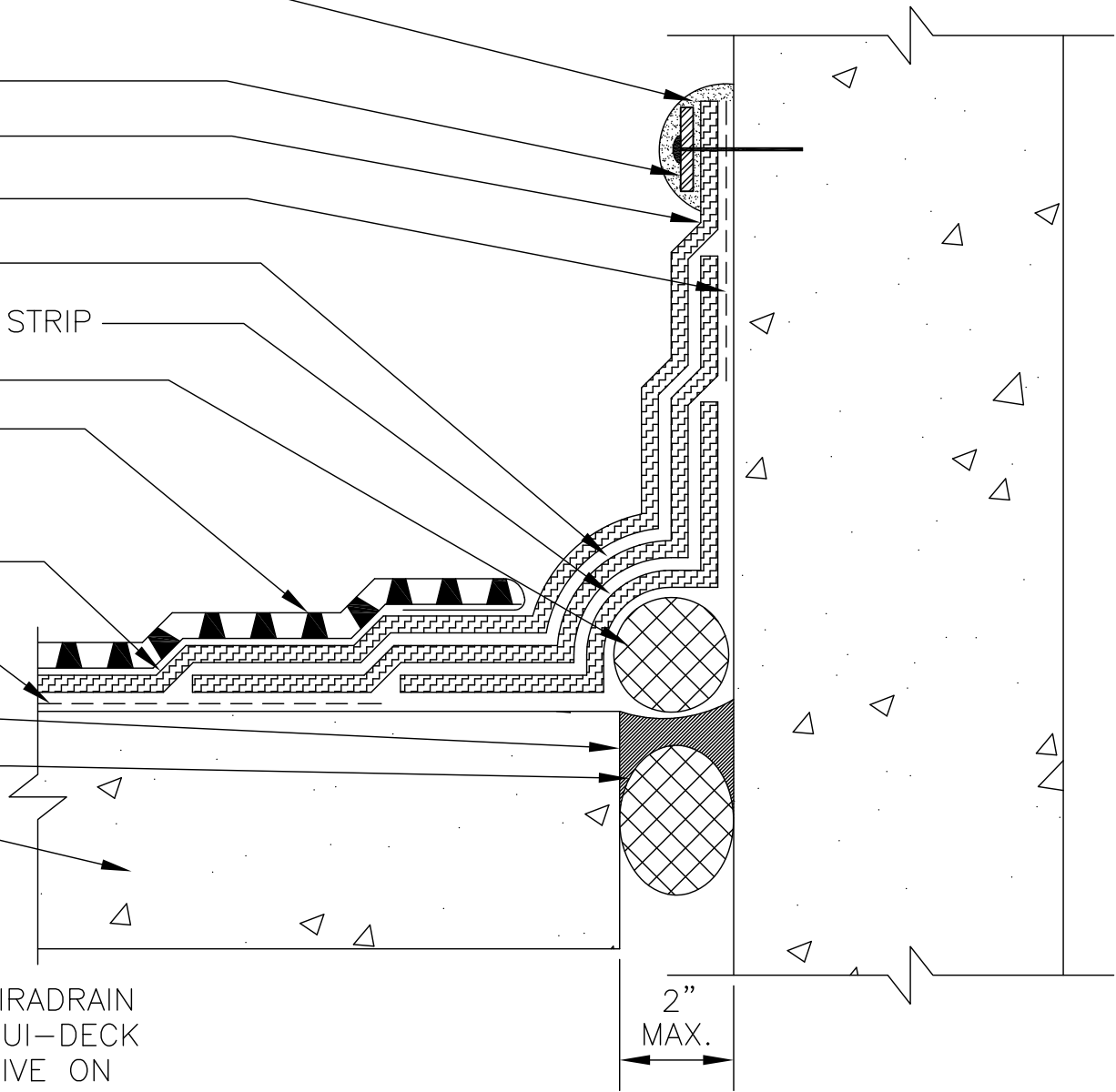
CCW MIRADRI 860/861

CCW-CONTACT ADHESIVE

CCW-201 SEALANT

BACKER ROD

CONCRETE DECK



2"  
MAX.

WARRANTY NOTES

FOR ULTRA WARRANTY USE CCW MIRADRAIN  
DRAINAGE COMPOSITE AND CCW LIQUI-DECK  
INSTEAD OF CCW CONTACT ADHESIVE ON  
PLAZA DECK APPLICATIONS.

AS A MANUFACTURER OF CONSTRUCTION MATERIALS,  
CARLISLE, DOES NOT ASSUME RESPONSIBILITY FOR ERRORS  
IN DESIGN OR ENGINEERING. ARCHITECT OR OWNERS  
REPRESENTATIVE MUST VERIFY SUITABILITY OF DETAILS.

860-3C

2" OR LESS PERIMETER  
BELLOWS EXPANSION JOINT



© 2016 CARLISLE CORPORATION

CCW MIRADRAIN DRAINAGE  
COMPOSITE, CCW PROTECTION  
BOARD OR CCW-300HV

BACKER ROD (1½" x JT. WIDTH)

CCW MIRADRI 860/861  
9" INVERTED STRIP

CCW MIRADRI 860/861  
18" STRIP

CCW MIRADRI 860/861

SURE-SEAL  
TERMINATION BAR

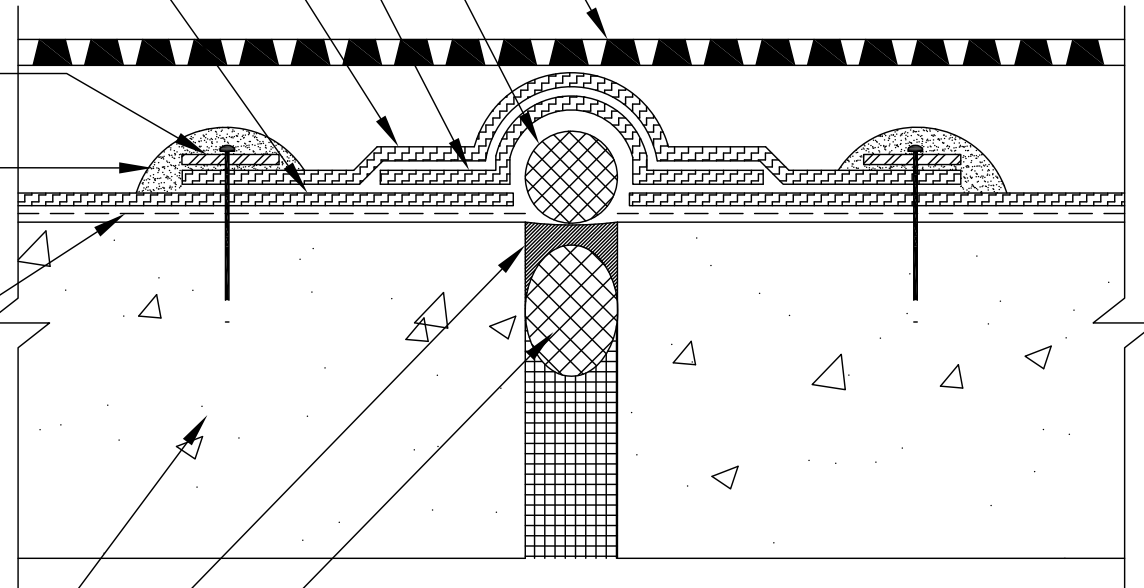
CCW-704 MASTIC,  
CCW-703V LIQUISEAL,  
CCW-201 OR  
CCW-LM-800XL

CCW-CONTACT  
ADHESIVE

CONCRETE SUBSTRATE

CCW-201 SEALANT

BACKER ROD



WARRANTY NOTES

FOR ULTRA WARRANTY USE CCW MIRADRAIN  
DRAINAGE COMPOSITE AND CCW LIQUI-DECK  
INSTEAD OF CCW CONTACT ADHESIVE ON  
PLAZA DECK APPLICATIONS.

AS A MANUFACTURER OF CONSTRUCTION MATERIALS,  
CARLISLE, DOES NOT ASSUME RESPONSIBILITY FOR ERRORS  
IN DESIGN OR ENGINEERING. ARCHITECT OR OWNERS  
REPRESENTATIVE MUST VERIFY SUITABILITY OF DETAILS.

860-3D

2" OR LESS BELLOWS EXPANSION  
JOINT (DECK OR WALL)

**CARLISLE**  
COATINGS & WATERPROOFING

© 2016 CARLISLE CORPORATION

CCW MIRADRI 860/861

CCW-CONTACT ADHESIVE

CCW MIRADRI 860 18" STRIP

CCW MIRADRI 860 9" INVERTED STRIP

BACKER ROD (1½" x JT. WIDTH)

CCW MIRADRAIN DRAINAGE  
COMPOSITE, CCW PROTECTION  
BOARD OR CCW-300HV

CCW MIRADRI 860/861

CCW-CONTACT ADHESIVE

CCW-201 SEALANT

BACKER ROD

CONCRETE DECK

### PLAN VIEW

### WARRANTY NOTES

FOR ULTRA WARRANTY USE CCW MIRADRAIN DRAINAGE COMPOSITE AND CCW LIQUI-DECK INSTEAD OF CCW CONTACT ADHESIVE ON PLAZA DECK APPLICATIONS.

AS A MANUFACTURER OF CONSTRUCTION MATERIALS, CARLISLE, DOES NOT ASSUME RESPONSIBILITY FOR ERRORS IN DESIGN OR ENGINEERING. ARCHITECT OR OWNERS REPRESENTATIVE MUST VERIFY SUITABILITY OF DETAILS.

860-3E

2" INSIDE CORNER WALL  
EXPANSION JOINT/ CONTROL



© 2016 CARLISLE CORPORATION

ANY 860-9 TERMINATION DETAIL

CCW-CONTACT ADHESIVE

CCW MIRADRI 860/861 FLASHING

CCW-201 SEALANT, CCW-LM-800XL OR  
CCW-703V CANT BEAD WITH 3/4" FACE

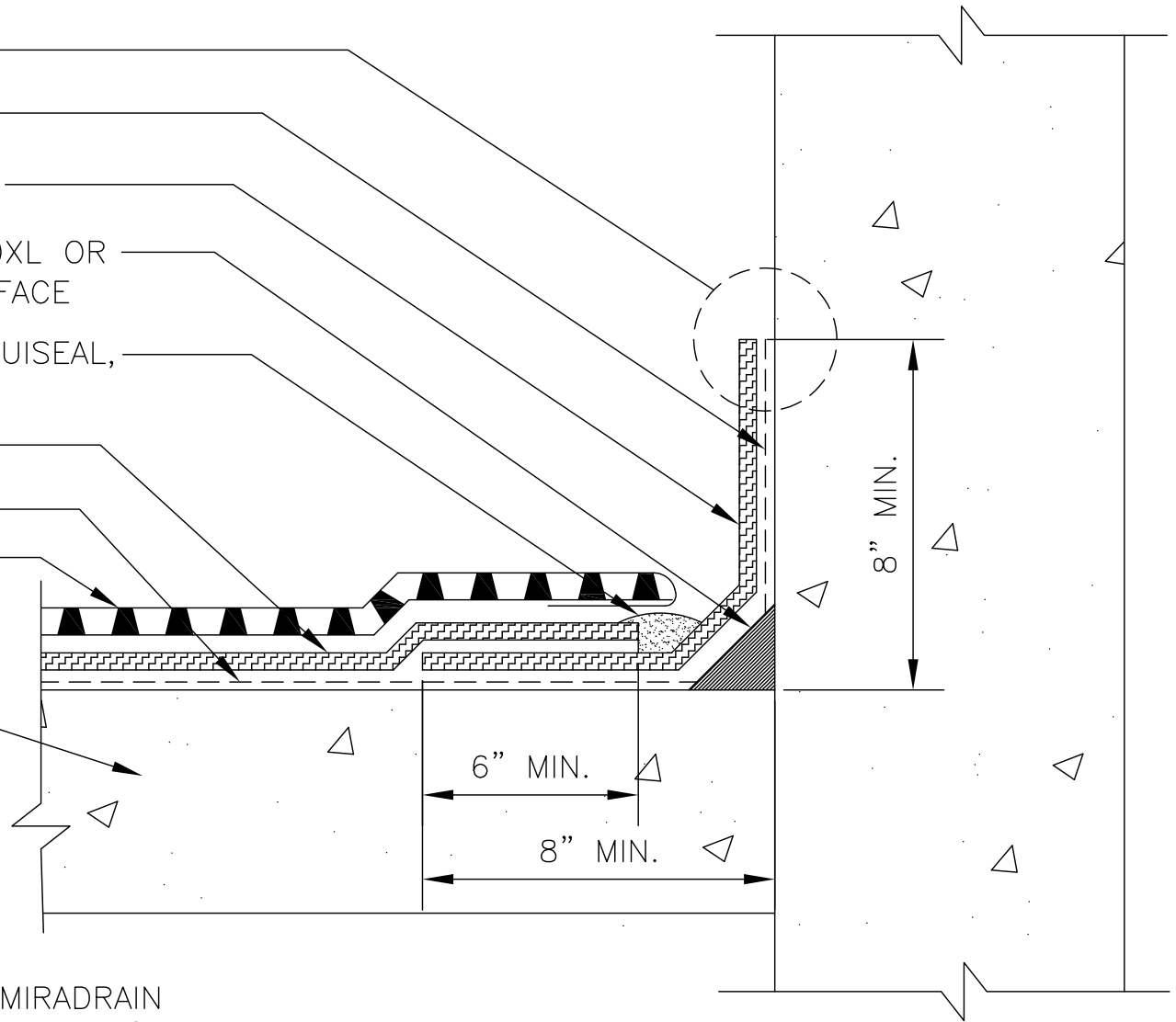
CCW-704 MASTIC, CCW-703V LIQUISEAL,  
CCW-201 OR CCW-LM-800XL

CCW MIRADRI 860/861

CCW-CONTACT ADHESIVE

CCW MIRADRAIN DRAINAGE  
COMPOSITE, CCW PROTECTION  
BOARD OR CCW-300HV

CONCRETE DECK



WARRANTY NOTES

FOR ULTRA WARRANTY USE CCW MIRADRAIN  
DRAINAGE COMPOSITE AND CCW LIQUI-DECK  
INSTEAD OF CCW CONTACT ADHESIVE ON  
PLAZA DECK APPLICATIONS.

AS A MANUFACTURER OF CONSTRUCTION MATERIALS,  
CARLISLE, DOES NOT ASSUME RESPONSIBILITY FOR ERRORS  
IN DESIGN OR ENGINEERING. ARCHITECT OR OWNERS  
REPRESENTATIVE MUST VERIFY SUITABILITY OF DETAILS.

860-4A

FLASHING AT DECK  
TO CURB OR PARAPET

**CARLISLE**  
COATINGS & WATERPROOFING

© 2016 CARLISLE CORPORATION

CCW-703V LIQUISEAL  
APPLIED AT 90 MILS

CCW-703V LIQUISEAL CANT WITH  
 $\frac{3}{4}$ " MIN. FACE

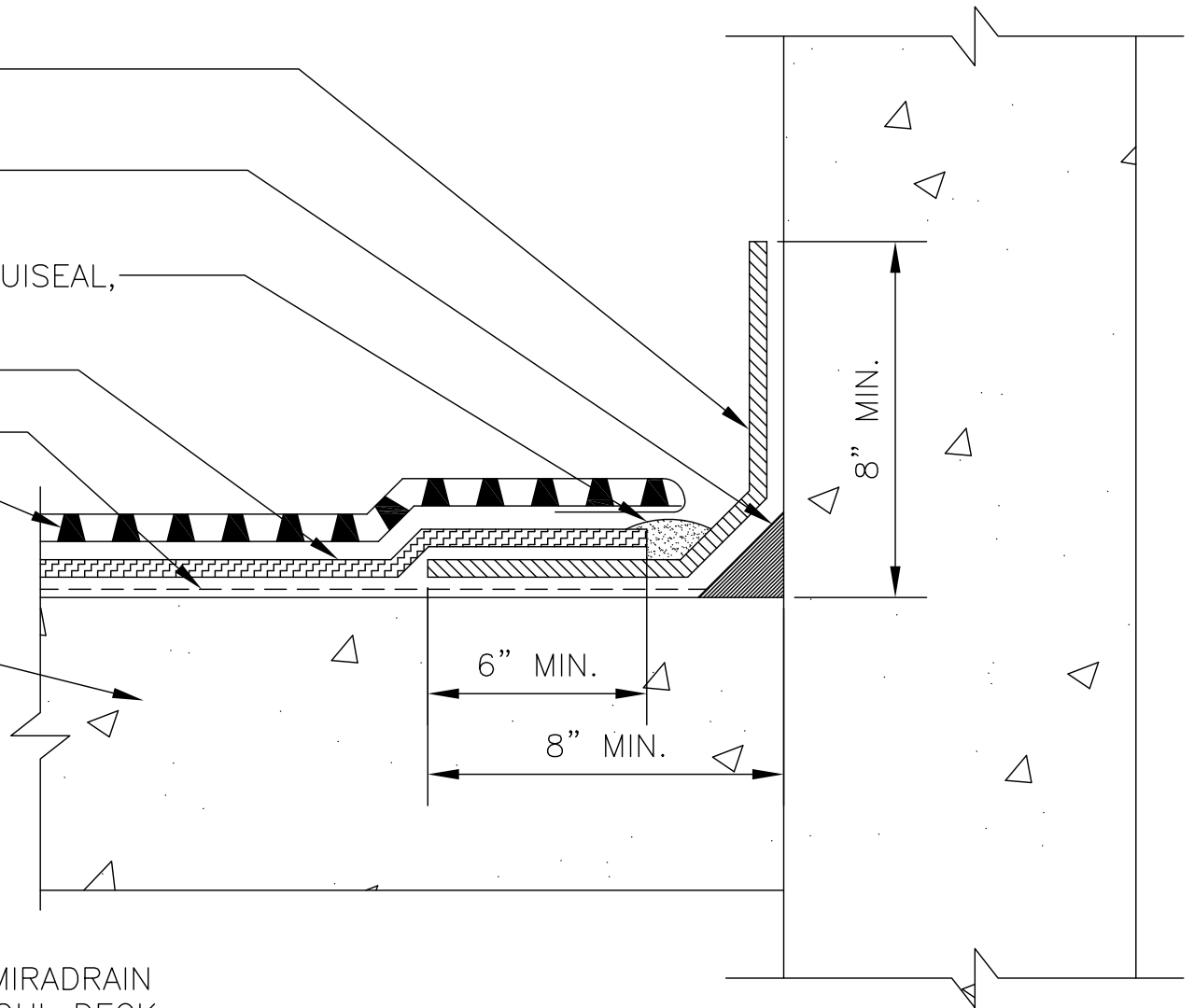
CCW-704 MASTIC, CCW-703V LIQUISEAL,  
CCW-201 OR CCW-LM-800XL

CCW MIRADRI 860/861

CCW-CONTACT ADHESIVE

CCW MIRADRAIN DRAINAGE  
COMPOSITE, CCW PROTECTION  
BOARD OR CCW-300HV

CONCRETE DECK



WARRANTY NOTES

FOR ULTRA WARRANTY USE CCW MIRADRAIN  
DRAINAGE COMPOSITE AND CCW LIQUI-DECK  
INSTEAD OF CCW CONTACT ADHESIVE ON  
PLAZA DECK APPLICATIONS.

AS A MANUFACTURER OF CONSTRUCTION MATERIALS,  
CARLISLE, DOES NOT ASSUME RESPONSIBILITY FOR ERRORS  
IN DESIGN OR ENGINEERING. ARCHITECT OR OWNERS  
REPRESENTATIVE MUST VERIFY SUITABILITY OF DETAILS.

860-4B

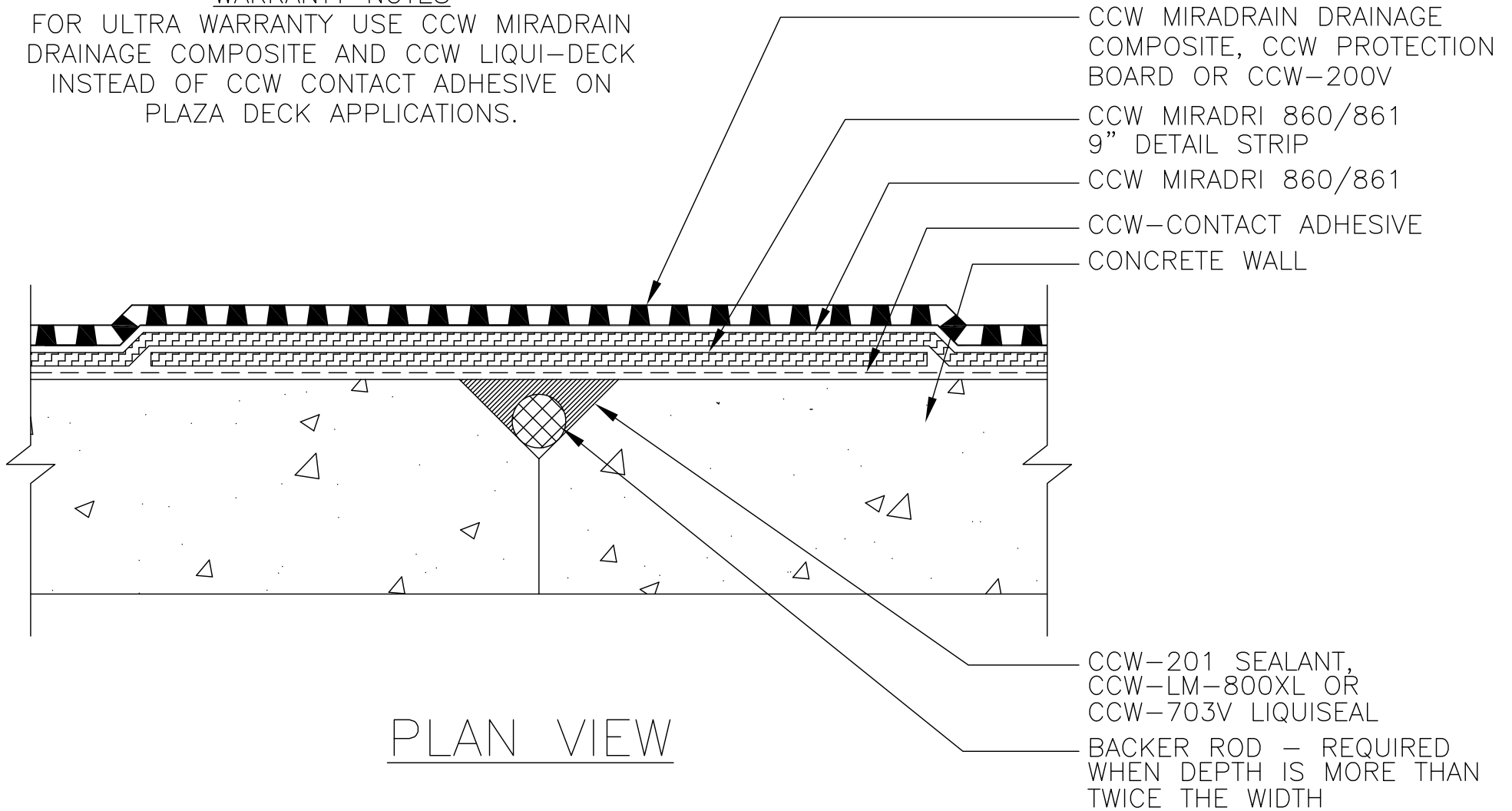
FLASHING AT DECK  
TO CURB OR PARAPET

**CARLISLE**  
COATINGS & WATERPROOFING

© 2016 CARLISLE CORPORATION

WARRANTY NOTES

FOR ULTRA WARRANTY USE CCW MIRADRAIN DRAINAGE COMPOSITE AND CCW LIQUI-DECK INSTEAD OF CCW CONTACT ADHESIVE ON PLAZA DECK APPLICATIONS.



PLAN VIEW

AS A MANUFACTURER OF CONSTRUCTION MATERIALS, CARLISLE, DOES NOT ASSUME RESPONSIBILITY FOR ERRORS IN DESIGN OR ENGINEERING. ARCHITECT OR OWNERS REPRESENTATIVE MUST VERIFY SUITABILITY OF DETAILS.

860-4C

"V" WALL CONTROL JOINT



© 2016 CARLISLE CORPORATION

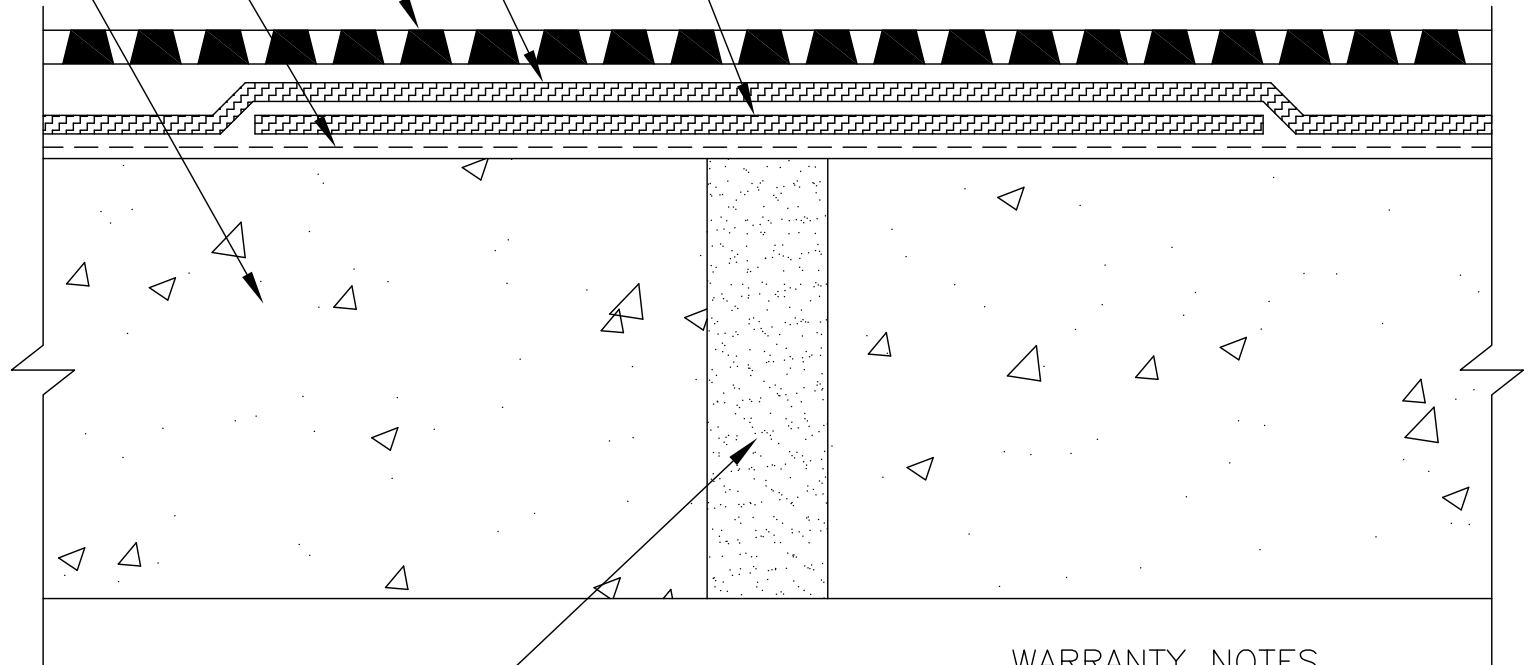
CCW MIRADRI 860/861  
9" DETAIL STRIP

CCW MIRADRI 860/861

CCW MIRADRAIN DRAINAGE  
COMPOSITE, CCW PROTECTION  
BOARD OR CCW-300HV

CCW-CONTACT ADHESIVE

PRECAST PANELS



GROUT JOINT IN BETWEEN PRECAST  
PANELS WITH NON-SHRINK GROUT  
FLUSH WITH OUTSIDE FACE OF PANEL

WARRANTY NOTES  
FOR ULTRA WARRANTY USE CCW MIRADRAIN  
DRAINAGE COMPOSITE AND CCW LIQUI-DECK  
INSTEAD OF CCW CONTACT ADHESIVE ON  
PLAZA DECK APPLICATIONS.

AS A MANUFACTURER OF CONSTRUCTION MATERIALS,  
CARLISLE, DOES NOT ASSUME RESPONSIBILITY FOR ERRORS  
IN DESIGN OR ENGINEERING. ARCHITECT OR OWNERS  
REPRESENTATIVE MUST VERIFY SUITABILITY OF DETAILS.

860-4D

NON-MOVING GROUTED PRECAST JOINT  
(DECK OR WALL)

**CARLISLE**  
COATINGS & WATERPROOFING

© 2016 CARLISLE CORPORATION

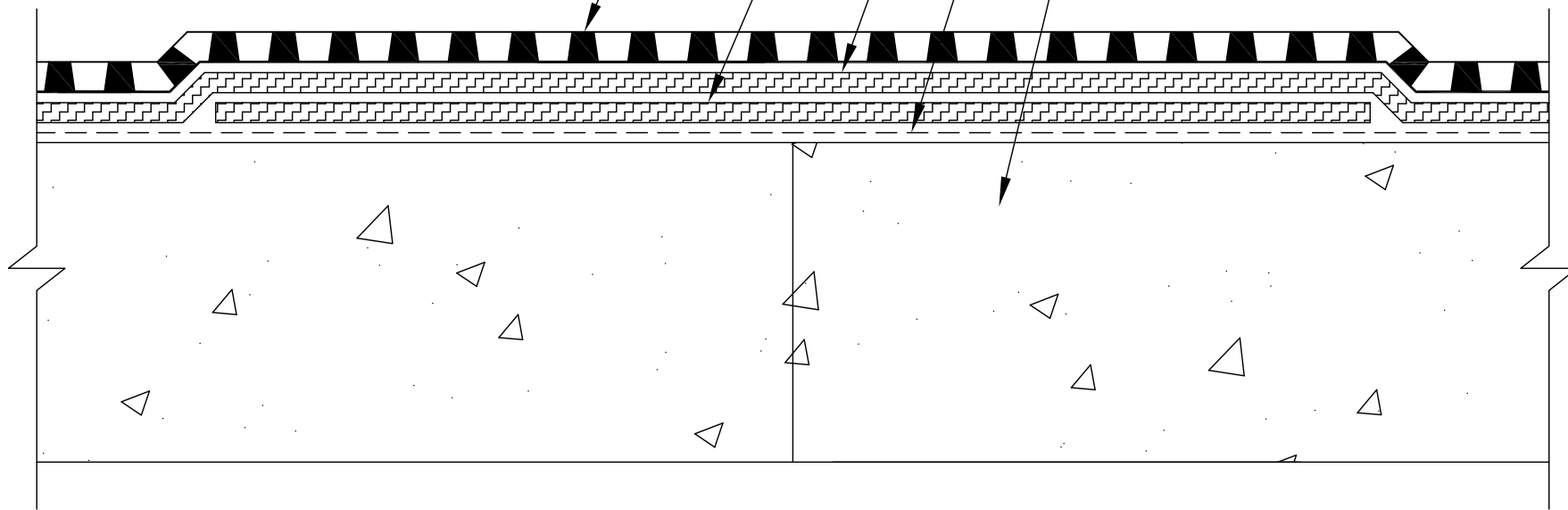
CCW MIRADRAIN DRAINAGE  
COMPOSITE, CCW PROTECTION  
BOARD OR CCW-300HV

CCW MIRADRI 860/861  
9" DETAIL STRIP

CCW MIRADRI 860/861

CCW-CONTACT ADHESIVE

CONCRETE WALL OR DECK



WARRANTY NOTES

FOR ULTRA WARRANTY USE CCW MIRADRAIN  
DRAINAGE COMPOSITE AND CCW LIQUI-DECK  
INSTEAD OF CCW CONTACT ADHESIVE ON  
PLAZA DECK APPLICATIONS.

AS A MANUFACTURER OF CONSTRUCTION MATERIALS,  
CARLISLE, DOES NOT ASSUME RESPONSIBILITY FOR ERRORS  
IN DESIGN OR ENGINEERING. ARCHITECT OR OWNERS  
REPRESENTATIVE MUST VERIFY SUITABILITY OF DETAILS.

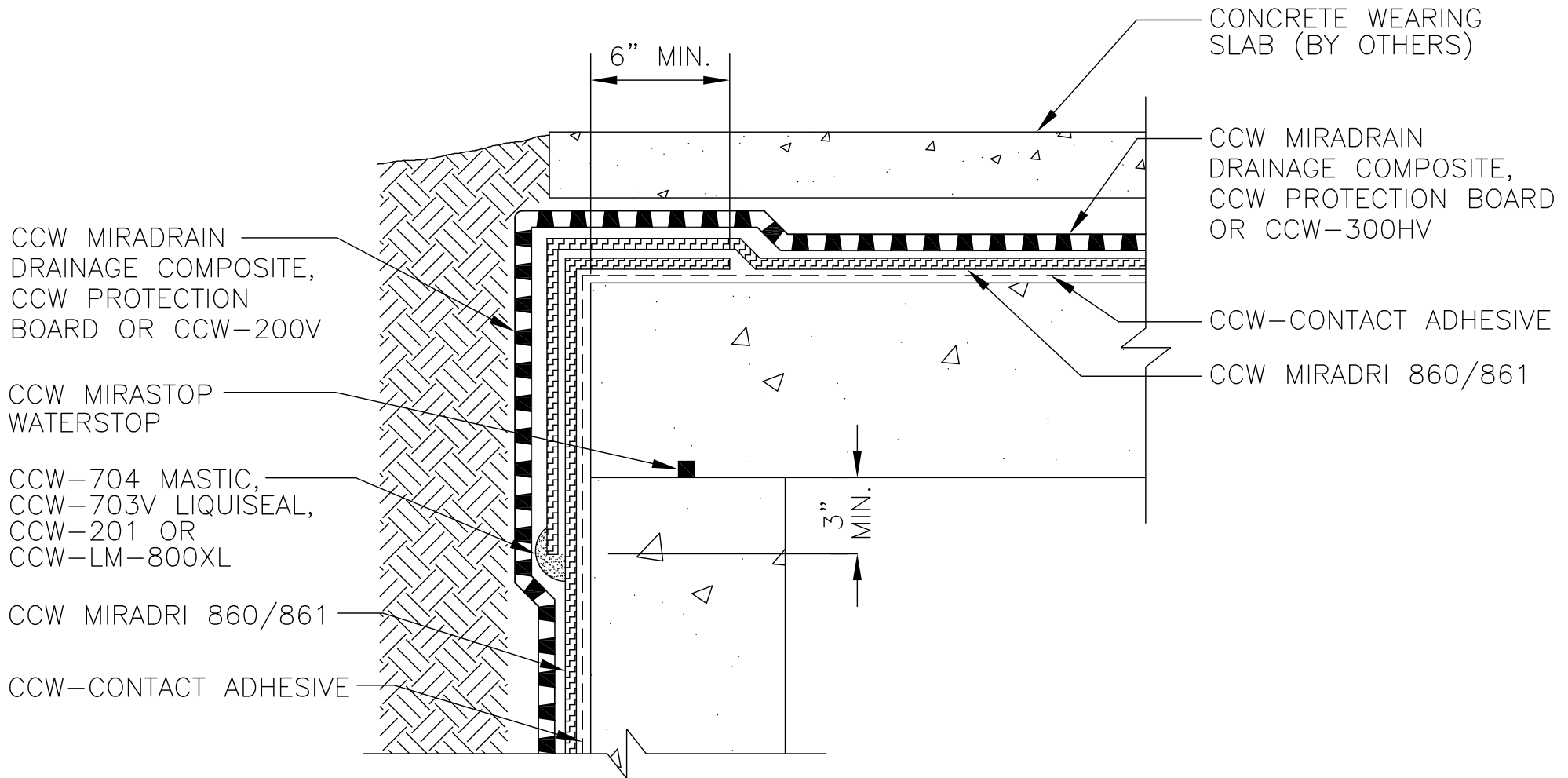
860-4E

CONTROL JOINT  
(DECK OR WALL)

**CARLISLE**  
COATINGS & WATERPROOFING

© 2016 CARLISLE CORPORATION





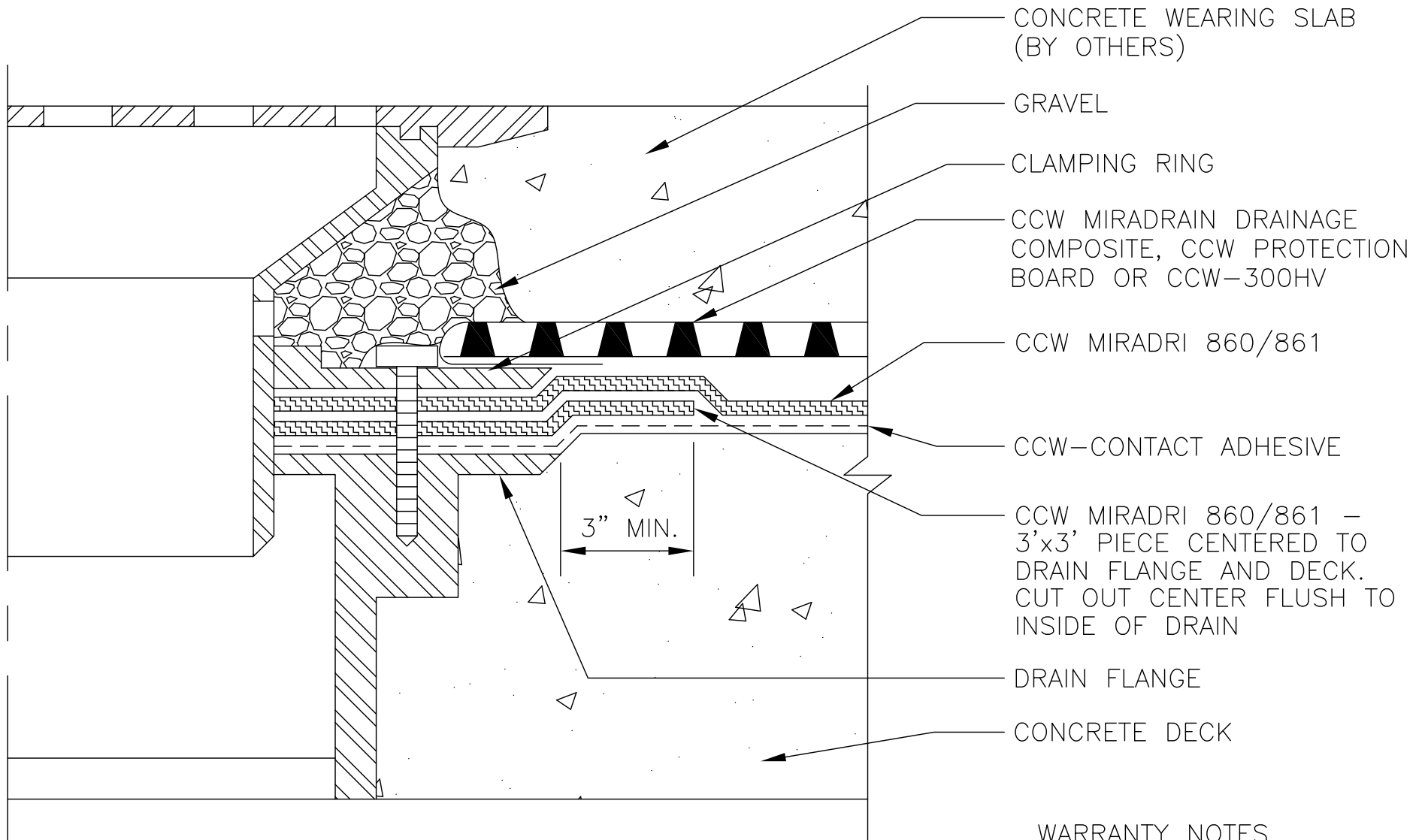
AS A MANUFACTURER OF CONSTRUCTION MATERIALS, CARLISLE, DOES NOT ASSUME RESPONSIBILITY FOR ERRORS IN DESIGN OR ENGINEERING. ARCHITECT OR OWNERS REPRESENTATIVE MUST VERIFY SUITABILITY OF DETAILS.

860-5A

TUNNEL/EARTH SHELTER  
STRUCTURE OUTSIDE CORNER

**CARLISLE**  
COATINGS & WATERPROOFING

© 2016 CARLISLE CORPORATION



- CONCRETE WEARING SLAB (BY OTHERS)
- GRAVEL
- CLAMPING RING
- CCW MIRADRAIN DRAINAGE COMPOSITE, CCW PROTECTION BOARD OR CCW-300HV
- CCW MIRADRI 860/861
- CCW CONTACT ADHESIVE
- CCW MIRADRI 860/861 - 3'x3' PIECE CENTERED TO DRAIN FLANGE AND DECK. CUT OUT CENTER FLUSH TO INSIDE OF DRAIN
- DRAIN FLANGE
- CONCRETE DECK

3" MIN.

WARRANTY NOTES

FOR ULTRA WARRANTY USE CCW MIRADRAIN DRAINAGE COMPOSITE AND CCW LIQUI-DECK INSTEAD OF CCW CONTACT ADHESIVE ON PLAZA DECK APPLICATIONS.

AS A MANUFACTURER OF CONSTRUCTION MATERIALS, CARLISLE, DOES NOT ASSUME RESPONSIBILITY FOR ERRORS IN DESIGN OR ENGINEERING. ARCHITECT OR OWNERS REPRESENTATIVE MUST VERIFY SUITABILITY OF DETAILS.

860-6

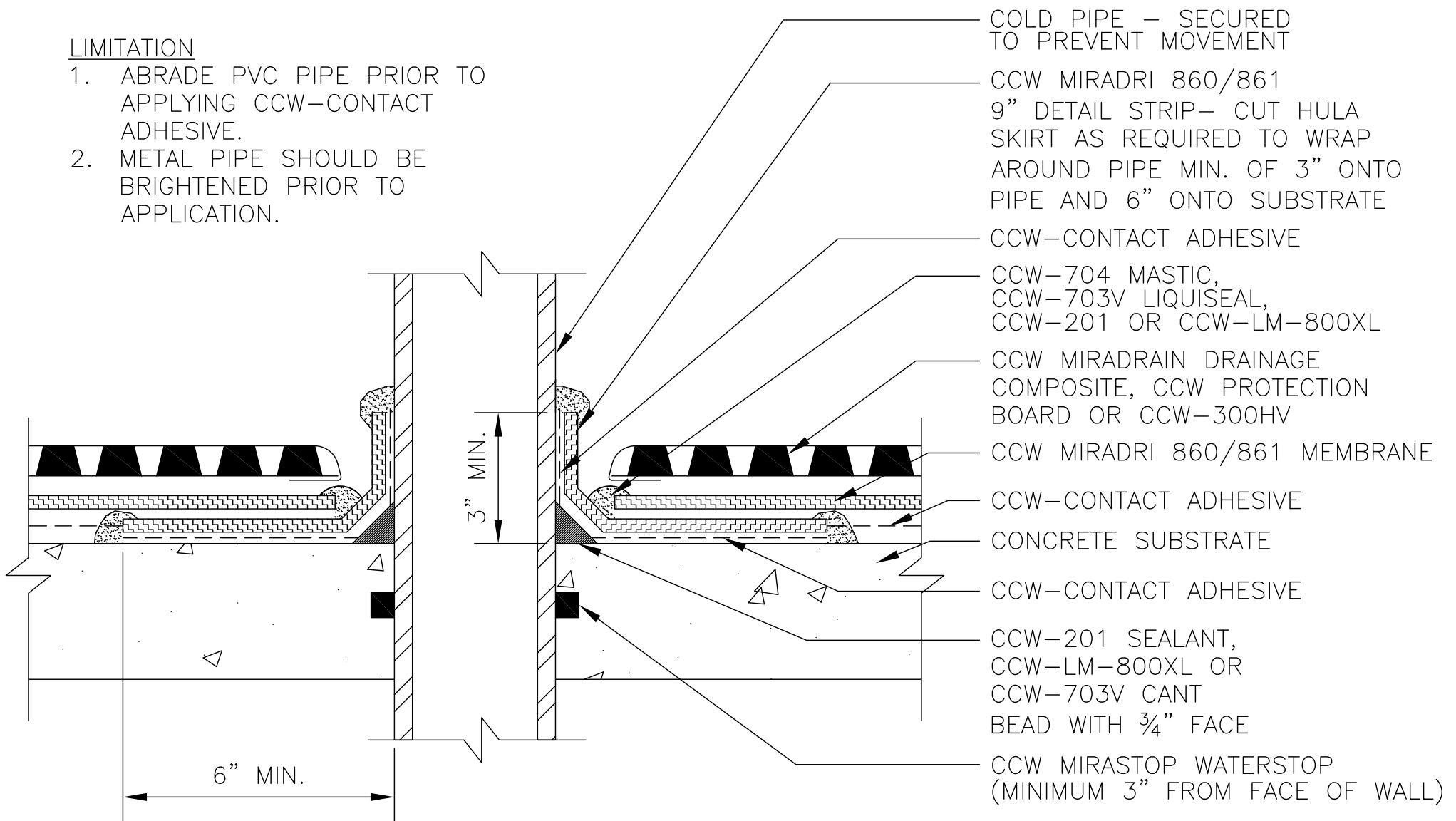
DUAL LEVEL DRAIN



© 2016 CARLISLE CORPORATION

LIMITATION

1. ABRABE PVC PIPE PRIOR TO APPLYING CCW-CONTACT ADHESIVE.
2. METAL PIPE SHOULD BE BRIGHTENED PRIOR TO APPLICATION.



- COLD PIPE – SECURED TO PREVENT MOVEMENT
- CCW MIRADRI 860/861 9” DETAIL STRIP– CUT HULA SKIRT AS REQUIRED TO WRAP AROUND PIPE MIN. OF 3” ONTO PIPE AND 6” ONTO SUBSTRATE
- CCW-CONTACT ADHESIVE
- CCW-704 MASTIC, CCW-703V LIQUISEAL, CCW-201 OR CCW-LM-800XL
- CCW MIRADRAIN DRAINAGE COMPOSITE, CCW PROTECTION BOARD OR CCW-300HV
- CCW MIRADRI 860/861 MEMBRANE
- CCW-CONTACT ADHESIVE
- CONCRETE SUBSTRATE
- CCW-CONTACT ADHESIVE
- CCW-201 SEALANT, CCW-LM-800XL OR CCW-703V CANT BEAD WITH 3/4” FACE
- CCW MIRASTOP WATERSTOP (MINIMUM 3” FROM FACE OF WALL)

WARRANTY NOTES

FOR ULTRA WARRANTY USE CCW MIRADRAIN DRAINAGE COMPOSITE AND CCW LIQUI-DECK INSTEAD OF CCW CONTACT ADHESIVE ON PLAZA DECK APPLICATIONS.

AS A MANUFACTURER OF CONSTRUCTION MATERIALS, CARLISLE, DOES NOT ASSUME RESPONSIBILITY FOR ERRORS IN DESIGN OR ENGINEERING. ARCHITECT OR OWNERS REPRESENTATIVE MUST VERIFY SUITABILITY OF DETAILS.

860-8A

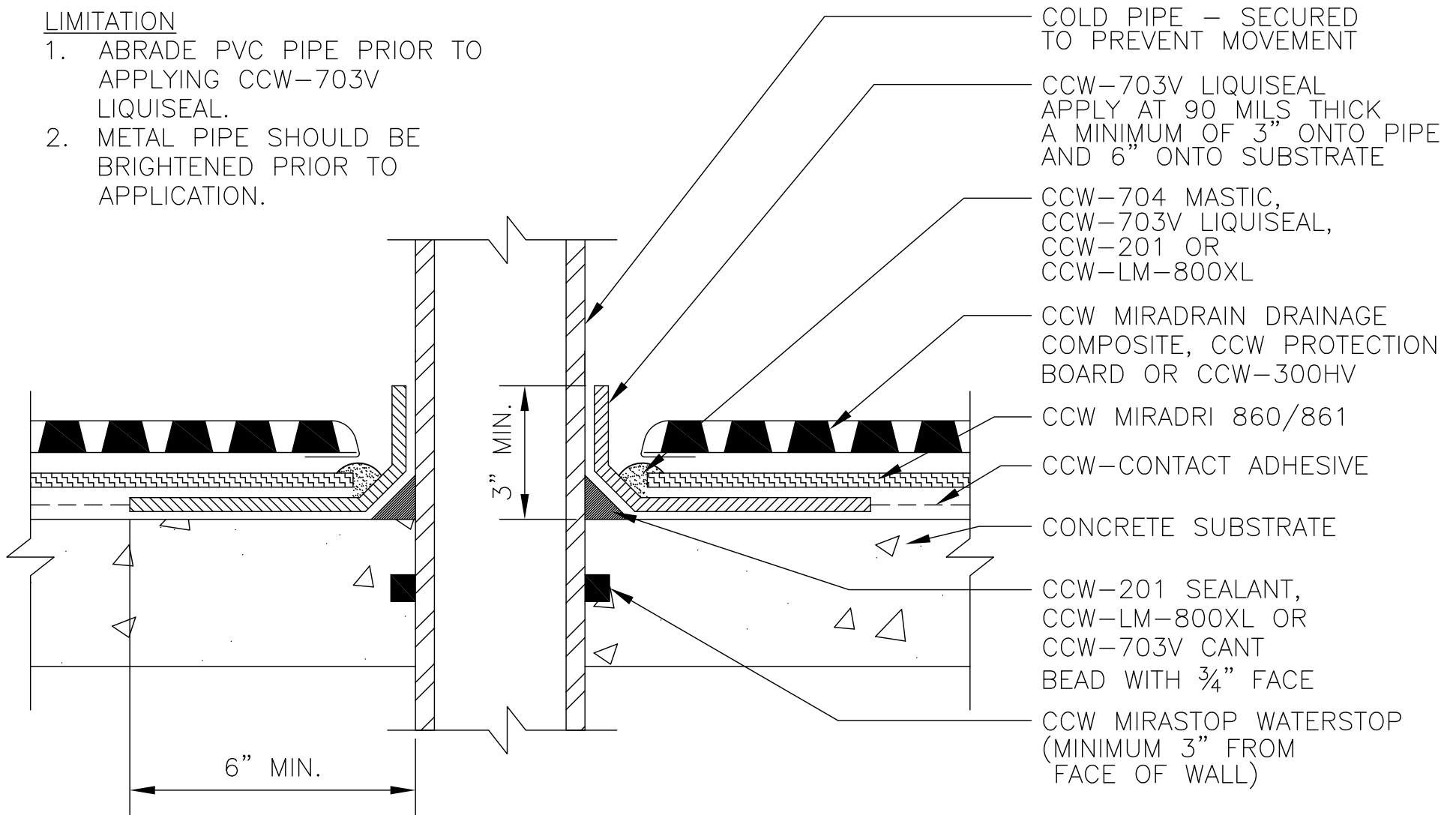
PIPE / PENETRATIONS WITH SHEET FLASHINGS



© 2016 CARLISLE CORPORATION

LIMITATION

1. ABRABE PVC PIPE PRIOR TO APPLYING CCW-703V LIQUISEAL.
2. METAL PIPE SHOULD BE BRIGHTENED PRIOR TO APPLICATION.



- COLD PIPE – SECURED TO PREVENT MOVEMENT
- CCW-703V LIQUISEAL APPLY AT 90 MILS THICK A MINIMUM OF 3" ONTO PIPE AND 6" ONTO SUBSTRATE
- CCW-704 MASTIC, CCW-703V LIQUISEAL, CCW-201 OR CCW-LM-800XL
- CCW MIRADRAIN DRAINAGE COMPOSITE, CCW PROTECTION BOARD OR CCW-300HV
- CCW MIRADRI 860/861
- CCW-CONTACT ADHESIVE
- CONCRETE SUBSTRATE
- CCW-201 SEALANT, CCW-LM-800XL OR CCW-703V CANT BEAD WITH 3/4" FACE
- CCW MIRASTOP WATERSTOP (MINIMUM 3" FROM FACE OF WALL)

WARRANTY NOTES

FOR ULTRA WARRANTY USE CCW MIRADRAIN DRAINAGE COMPOSITE AND CCW LIQUI-DECK INSTEAD OF CCW CONTACT ADHESIVE ON PLAZA DECK APPLICATIONS.

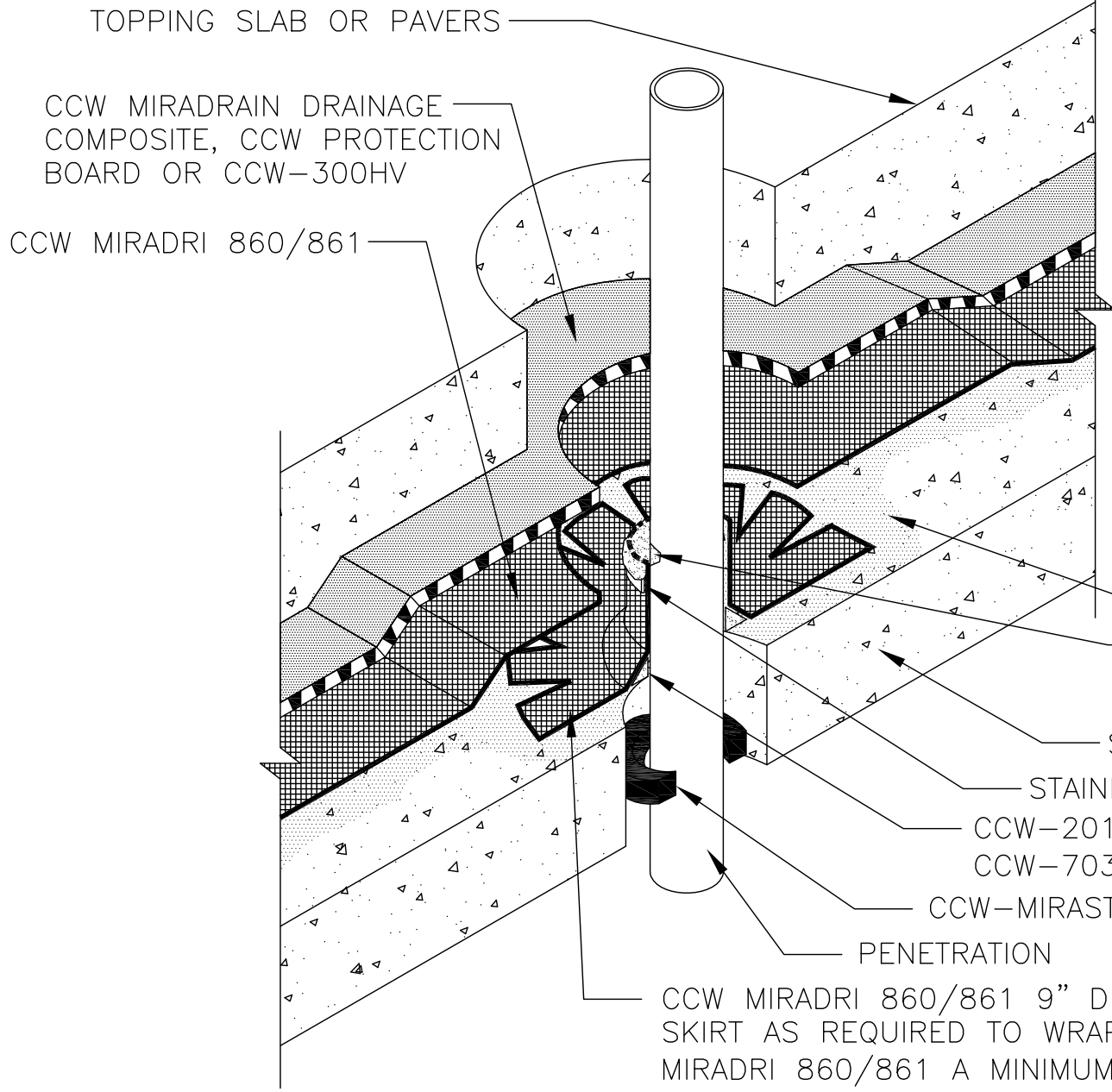
AS A MANUFACTURER OF CONSTRUCTION MATERIALS, CARLISLE, DOES NOT ASSUME RESPONSIBILITY FOR ERRORS IN DESIGN OR ENGINEERING. ARCHITECT OR OWNERS REPRESENTATIVE MUST VERIFY SUITABILITY OF DETAILS.

860-8B

PIPE / PENETRATIONS WITH LIQUID FLASHINGS



© 2016 CARLISLE CORPORATION



- NOTES:**
1. ABRABE PVC PIPE PRIOR TO APPLYING CCW-CONTACT ADHESIVE.
  2. METAL PIPE SHOULD BE BRIGHTENED PRIOR TO APPLICATION.
  3. IN HIGH WATER TABLE AREA STAINLESS STEEL PIPE CLAMP IS REQUIRED.

WARRANTY NOTES  
 FOR ULTRA WARRANTY USE CCW MIRADRAIN DRAINAGE COMPOSITE AND CCW LIQUI-DECK INSTEAD OF CCW CONTACT ADHESIVE ON PLAZA DECK APPLICATIONS.

- CCW-CONTACT ADHESIVE
- CCW-704 MASTIC, CCW-703V LIQUISEAL, CCW-201 OR CCW-LM-800XL
- STRUCTURAL SLAB
- STAINLESS STEEL CLAMPING RING
- CCW-201 SEALANT, CCW-LM-800XL OR CCW-703V CANT BEAD WITH 3/4" FACE
- CCW-MIRASTOP WATERSTOP
- PENETRATION

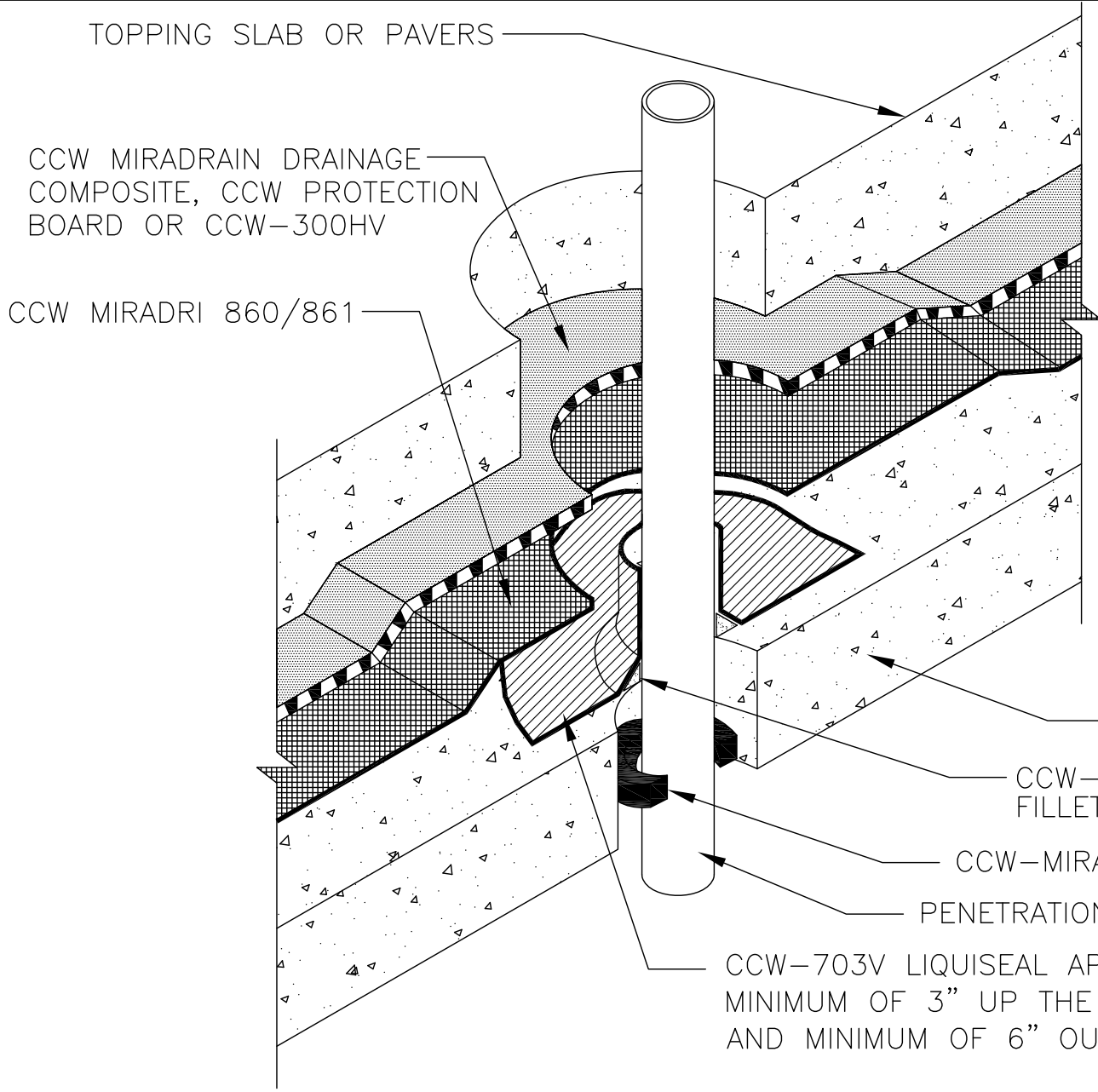
CCW MIRADRI 860/861 9" DETAIL STRIP- CUT HULA SKIRT AS REQUIRED TO WRAP AROUND PIPE. CCW MIRADRI 860/861 A MINIMUM OF 3" UP THE PIPE SLEEVE AND MINIMUM OF 6" OUT ON TO DECK

AS A MANUFACTURER OF CONSTRUCTION MATERIALS, CARLISLE, DOES NOT ASSUME RESPONSIBILITY FOR ERRORS IN DESIGN OR ENGINEERING. ARCHITECT OR OWNERS REPRESENTATIVE MUST VERIFY SUITABILITY OF DETAILS.

860-8C

# SLAB PENETRATIONS WITH SHEET FLASHINGS





**NOTES:**

1. ABRABE PVC PIPE PRIOR TO APPLYING CCW-703V LIQUISEAL.
2. METAL PIPE SHOULD BE BRIGHTENED PRIOR TO APPLICATION.

WARRANTY NOTES

FOR ULTRA WARRANTY USE CCW MIRADRAIN DRAINAGE COMPOSITE AND CCW LIQUI-DECK INSTEAD OF CCW CONTACT ADHESIVE ON PLAZA DECK APPLICATIONS.

STRUCTURAL SLAB

CCW-703V LIQUISEAL FILLET WITH 3/4" FACE

CCW-MIRASTOP WATERSTOP

PENETRATION

CCW-703V LIQUISEAL APPLIED A MINIMUM OF 3" UP THE PIPE SLEEVE AND MINIMUM OF 6" OUT ON TO DECK

AS A MANUFACTURER OF CONSTRUCTION MATERIALS, CARLISLE, DOES NOT ASSUME RESPONSIBILITY FOR ERRORS IN DESIGN OR ENGINEERING. ARCHITECT OR OWNERS REPRESENTATIVE MUST VERIFY SUITABILITY OF DETAILS.

860-8D

SLAB PENETRATIONS WITH LIQUID FLASHINGS



© 2016 CARLISLE CORPORATION

CCW MIRADRI 860/861

CCW MIRADRAIN DRAINAGE COMPOSITE, CCW PROTECTION BOARD OR CCW-200V

STAINLESS STEEL PIPE CLAMP

CCW-704 MASTIC, CCW-703V LIQUISEAL, CCW-201 OR CCW-LM-800XL

BACKFILL

FOUNDATION WALL

BACKER ROD AND SEALANT BETWEEN PIPE AND SLEEVE AS REQUIRED

CCW MIRASTOP WATERSTOP

PIPE PENETRATION

PIPE SLEEVE - EXTEND CCW MIRADRI 860/861 A MINIMUM OF 3" UP THE PIPE SLEEVE AND MINIMUM OF 6" OUT ON TO WALL

CCW MIRADRI 860/861 9" DETAIL STRIP - CUT HULA SKIRT AS REQUIRED TO WRAP AROUND PIPE

CCW-CONTACT ADHESIVE

NOTES:

1. ABRASE PVC PIPE PRIOR TO APPLYING CCW-CONTACT ADHESIVE.
2. METAL PIPE SHOULD BE BRIGHTENED PRIOR TO APPLICATION.
3. IN HIGH WATER TABLE AREA STAINLESS STEEL PIPE CLAMP IS REQUIRED.

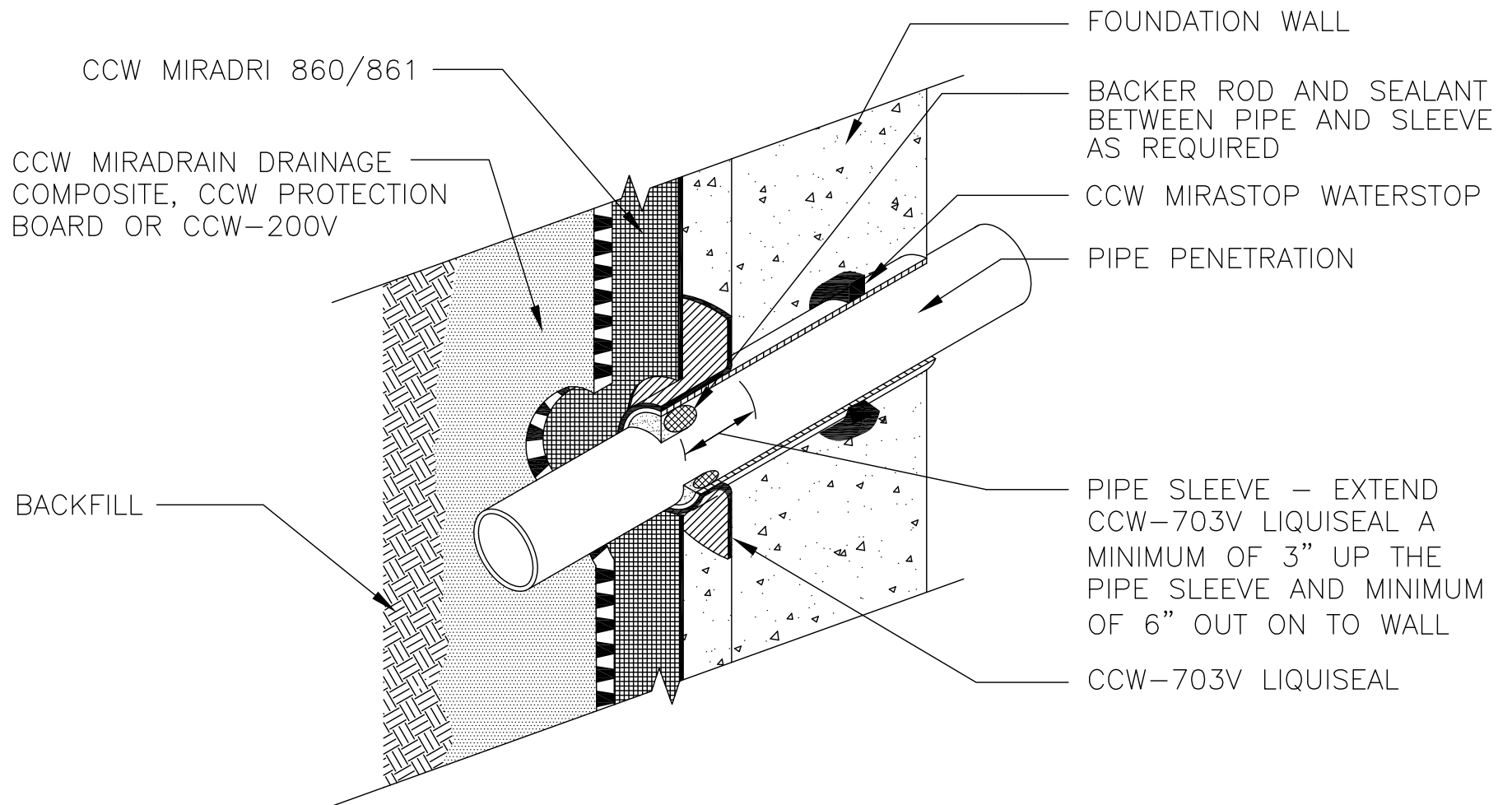
AS A MANUFACTURER OF CONSTRUCTION MATERIALS, CARLISLE, DOES NOT ASSUME RESPONSIBILITY FOR ERRORS IN DESIGN OR ENGINEERING. ARCHITECT OR OWNERS REPRESENTATIVE MUST VERIFY SUITABILITY OF DETAILS.

860-8E

WALL PENETRATIONS WITH SHEET FLASHINGS



© 2016 CARLISLE CORPORATION



LIMITATION

1. ABRABE PVC PIPE PRIOR TO APPLYING CCW-703V LIQUISEAL.
2. METAL PIPE SHOULD BE BRIGHTENED PRIOR TO APPLICATION.

AS A MANUFACTURER OF CONSTRUCTION MATERIALS, CARLISLE, DOES NOT ASSUME RESPONSIBILITY FOR ERRORS IN DESIGN OR ENGINEERING. ARCHITECT OR OWNERS REPRESENTATIVE MUST VERIFY SUITABILITY OF DETAILS.

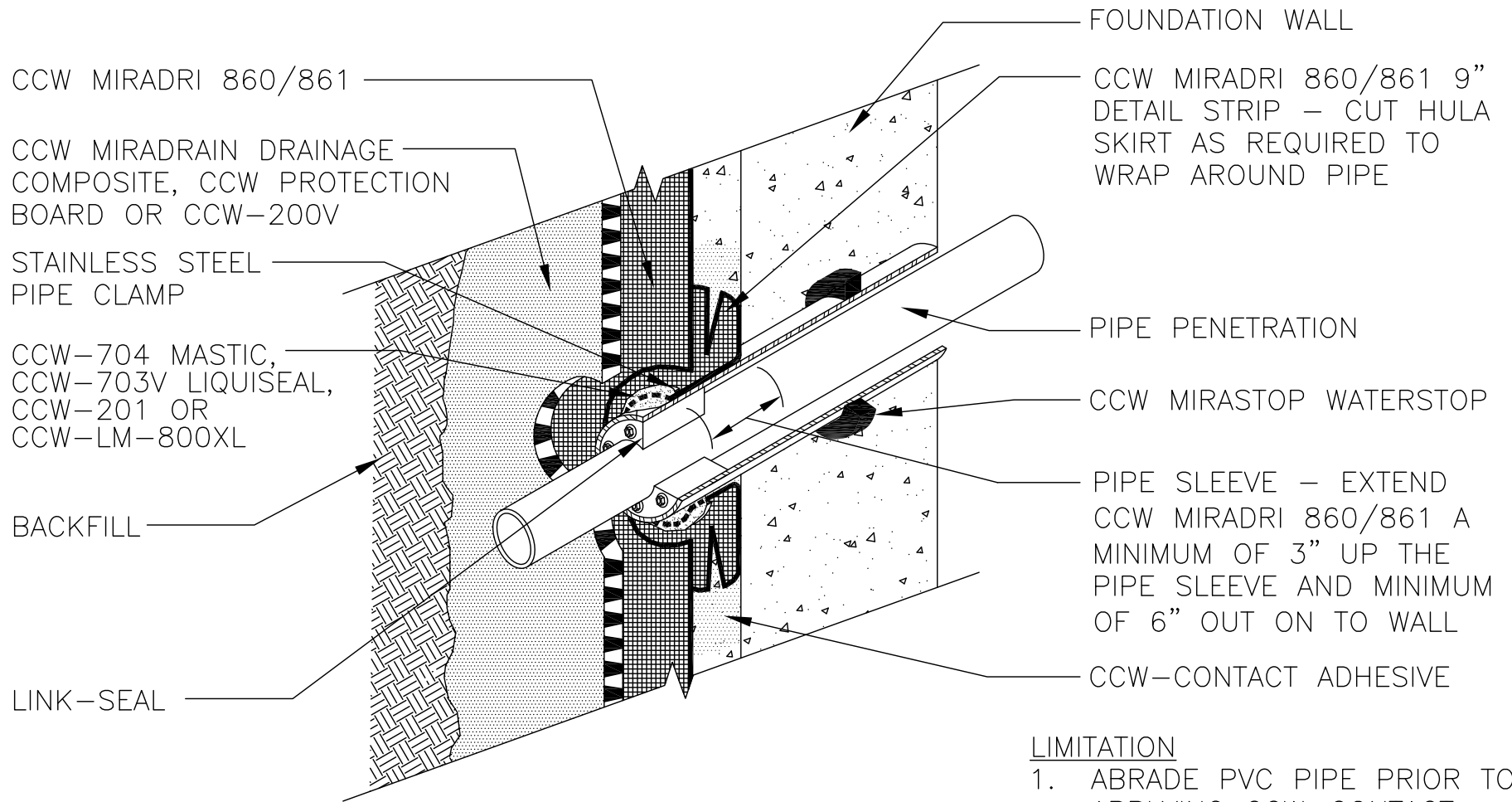
860-8F

WALL PENETRATIONS WITH LIQUID FLASHINGS



© 2016 CARLISLE CORPORATION





LIMITATION

1. ABRABE PVC PIPE PRIOR TO APPLYING CCW-CONTACT ADHESIVE.
2. METAL PIPE SHOULD BE BRIGHTENED PRIOR TO APPLICATION.
3. IN HIGH WATER TABLE AREA STAINLESS STEEL PIPE CLAMP IS REQUIRED.

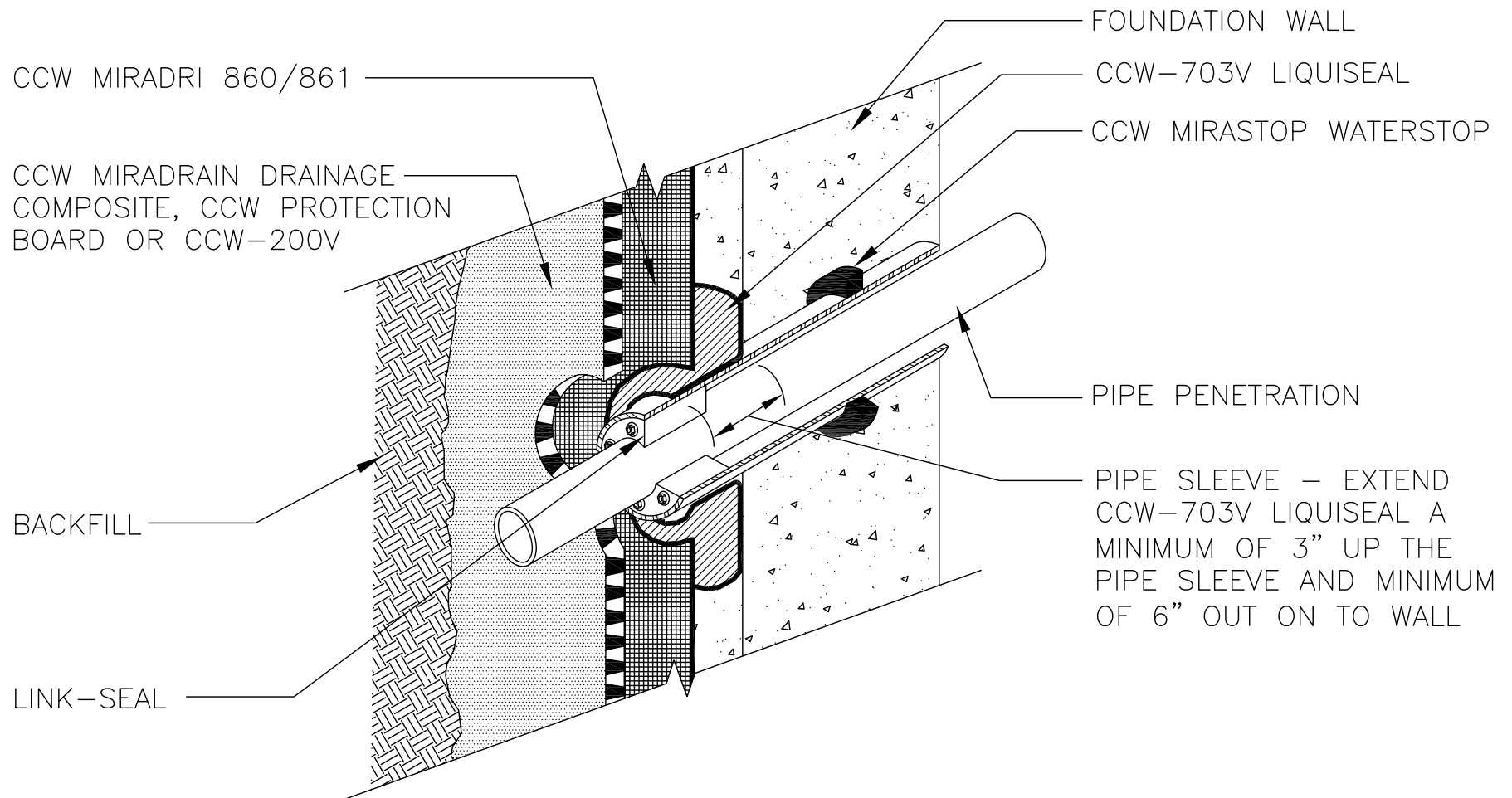
AS A MANUFACTURER OF CONSTRUCTION MATERIALS, CARLISLE, DOES NOT ASSUME RESPONSIBILITY FOR ERRORS IN DESIGN OR ENGINEERING. ARCHITECT OR OWNERS REPRESENTATIVE MUST VERIFY SUITABILITY OF DETAILS.

860-8G

PIPE SLEEVE WITH SHEET FLASHINGS AND LINK-SEAL



© 2016 CARLISLE CORPORATION



LIMITATION

1. ABRABE PVC PIPE PRIOR TO APPLYING CCW-703V LIQUISEAL.
2. METAL PIPE SHOULD BE BRIGHTENED PRIOR TO APPLICATION.

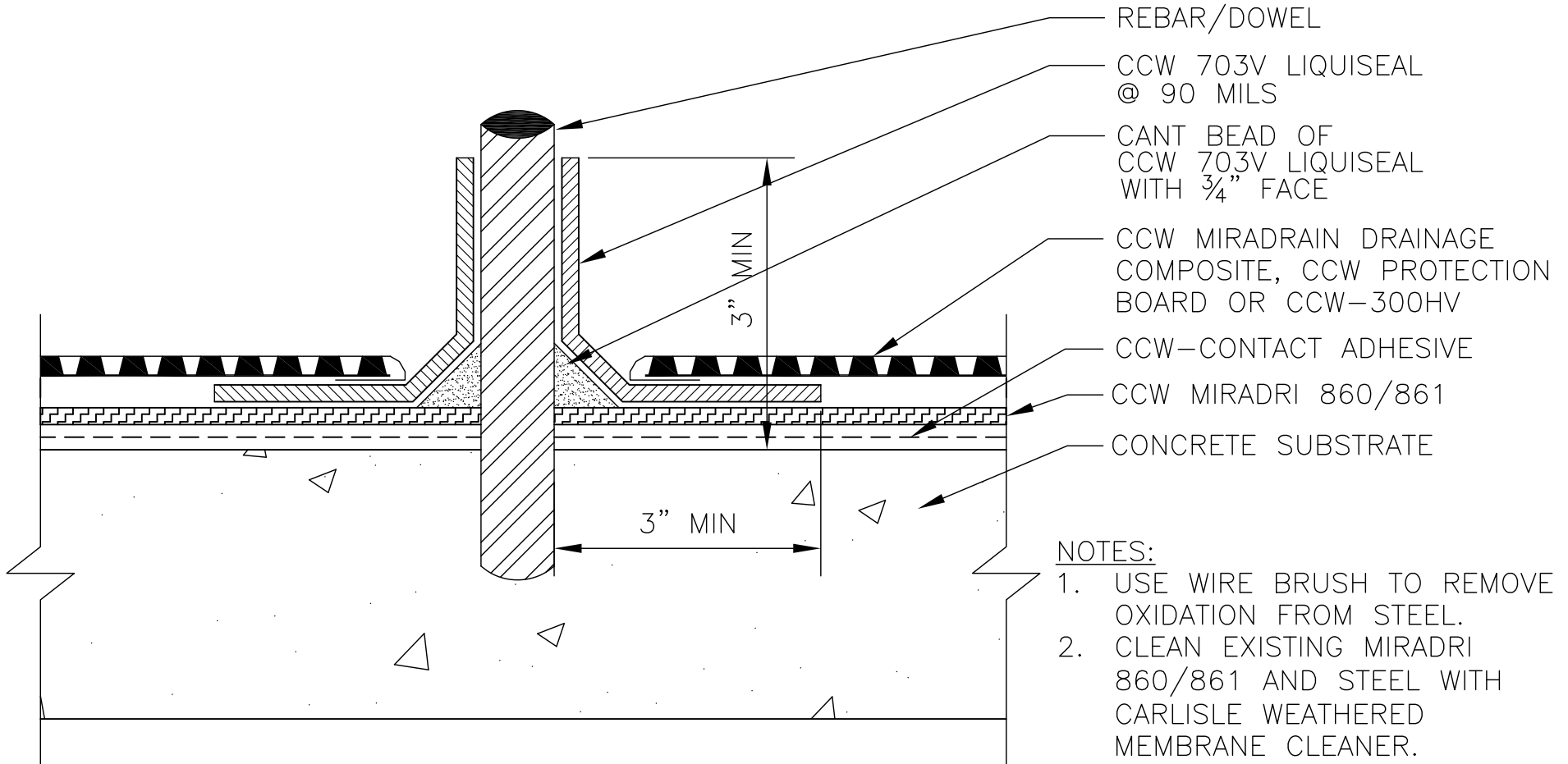
AS A MANUFACTURER OF CONSTRUCTION MATERIALS, CARLISLE, DOES NOT ASSUME RESPONSIBILITY FOR ERRORS IN DESIGN OR ENGINEERING. ARCHITECT OR OWNERS REPRESENTATIVE MUST VERIFY SUITABILITY OF DETAILS.

860-8H

PIPE SLEEVE WITH LIQUID FLASHINGS AND LINK-SEAL



© 2016 CARLISLE CORPORATION



NOTES:

1. USE WIRE BRUSH TO REMOVE OXIDATION FROM STEEL.
2. CLEAN EXISTING MIRADRI 860/861 AND STEEL WITH CARLISLE WEATHERED MEMBRANE CLEANER.
3. APPLY CANT BEAD OF CCW 703V LIQUISEAL AROUND PENETRATION.
4. APPLY CCW 703V LIQUISEAL AT 90 MILS.

WARRANTY NOTES

FOR ULTRA WARRANTY USE CCW MIRADRAIN DRAINAGE COMPOSITE AND CCW LIQUI-DECK INSTEAD OF CCW CONTACT ADHESIVE ON PLAZA DECK APPLICATIONS.

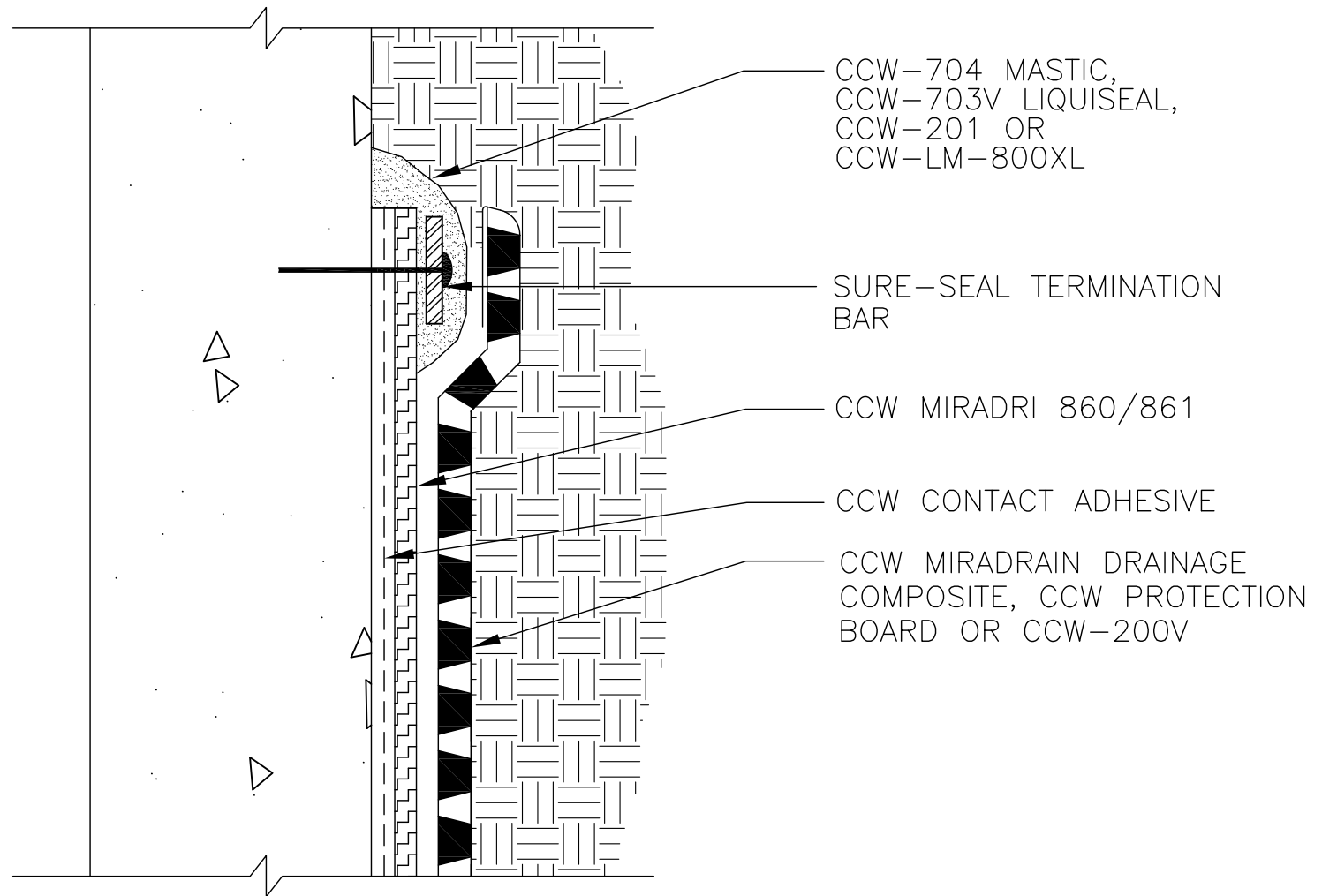
AS A MANUFACTURER OF CONSTRUCTION MATERIALS, CARLISLE, DOES NOT ASSUME RESPONSIBILITY FOR ERRORS IN DESIGN OR ENGINEERING. ARCHITECT OR OWNERS REPRESENTATIVE MUST VERIFY SUITABILITY OF DETAILS.

860-8J

SMALL PENETRATION  
(WALL OR DECK)

**CARLISLE**  
COATINGS & WATERPROOFING

© 2016 CARLISLE CORPORATION



NOTES:

1. STOP CCW MIRADRI 860/861 AND CCW MIRADRAIN DRAINAGE COMPOSITE (IF USED) APPROXIMATELY 6" BELOW FINAL GRADE.
2. IF CCW MIRADRI 860/861 MEMBRANE EXTENDS ABOVE FINAL GRADE, COUNTERFLASHING MUST BE PROVIDED FOR MEMBRANE AND DRAINAGE TERMINATION AND PROTECTION.
3. THIS INSTALLATION IS ELIGIBLE FOR A MATERIAL OR ULTRA WARRANTY.

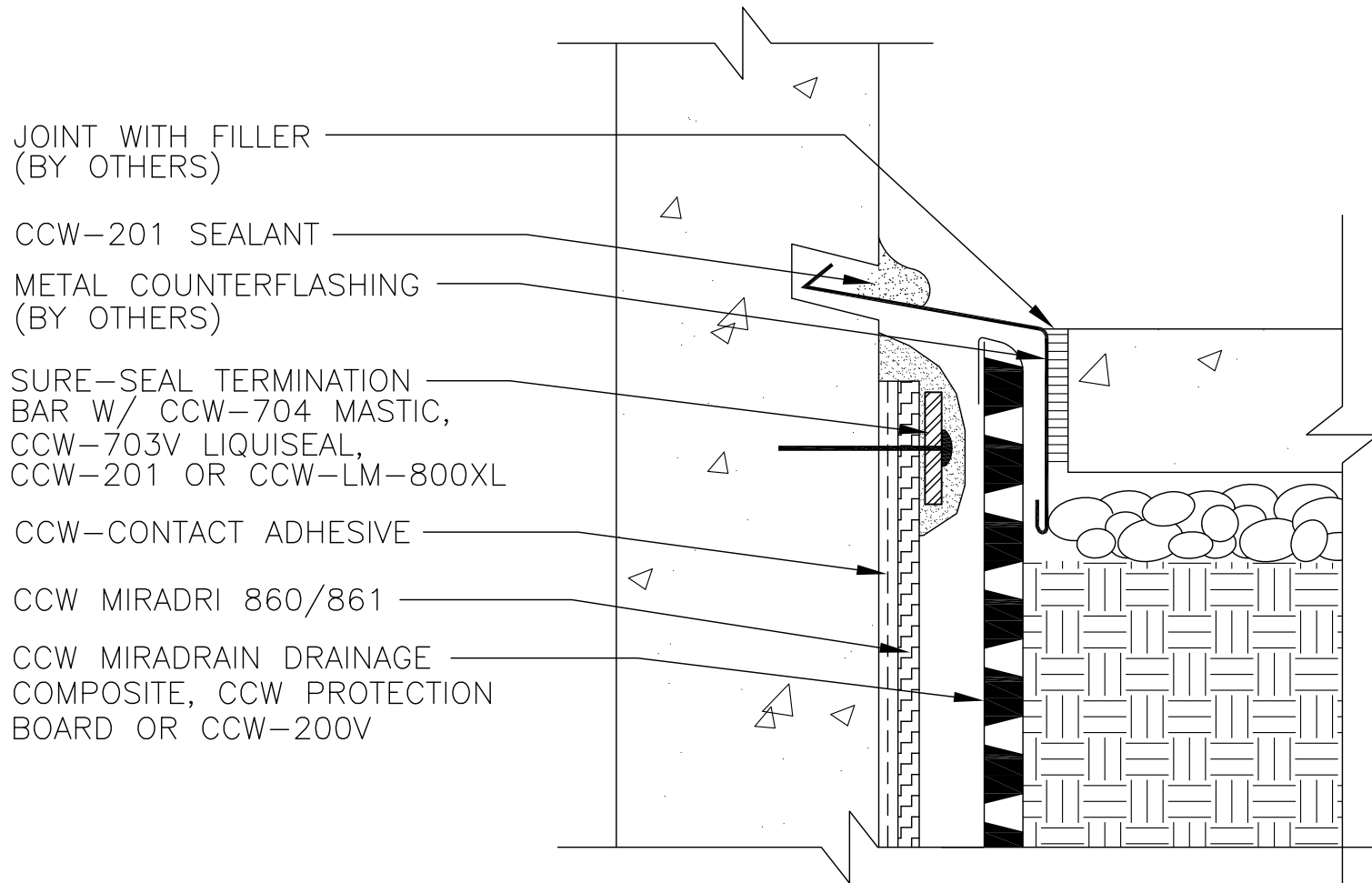
AS A MANUFACTURER OF CONSTRUCTION MATERIALS,  
CARLISLE, DOES NOT ASSUME RESPONSIBILITY FOR ERRORS  
IN DESIGN OR ENGINEERING. ARCHITECT OR OWNERS  
REPRESENTATIVE MUST VERIFY SUITABILITY OF DETAILS.

860-9B

SURFACE MOUNTED  
TERMINATION BAR

**CARLISLE**  
COATINGS & WATERPROOFING

© 2016 CARLISLE CORPORATION



**NOTES:**

1. STOP CCW MIRADRI 860/861 AND CCW MIRADRAIN DRAINAGE COMPOSITE (IF USED) APPROXIMATELY 6" BELOW FINAL GRADE.
2. IF CCW MIRADRI 860/861 MEMBRANE EXTENDS ABOVE FINAL GRADE, COUNTERFLASHING MUST BE PROVIDED FOR MEMBRANE AND DRAINAGE TERMINATION AND PROTECTION.

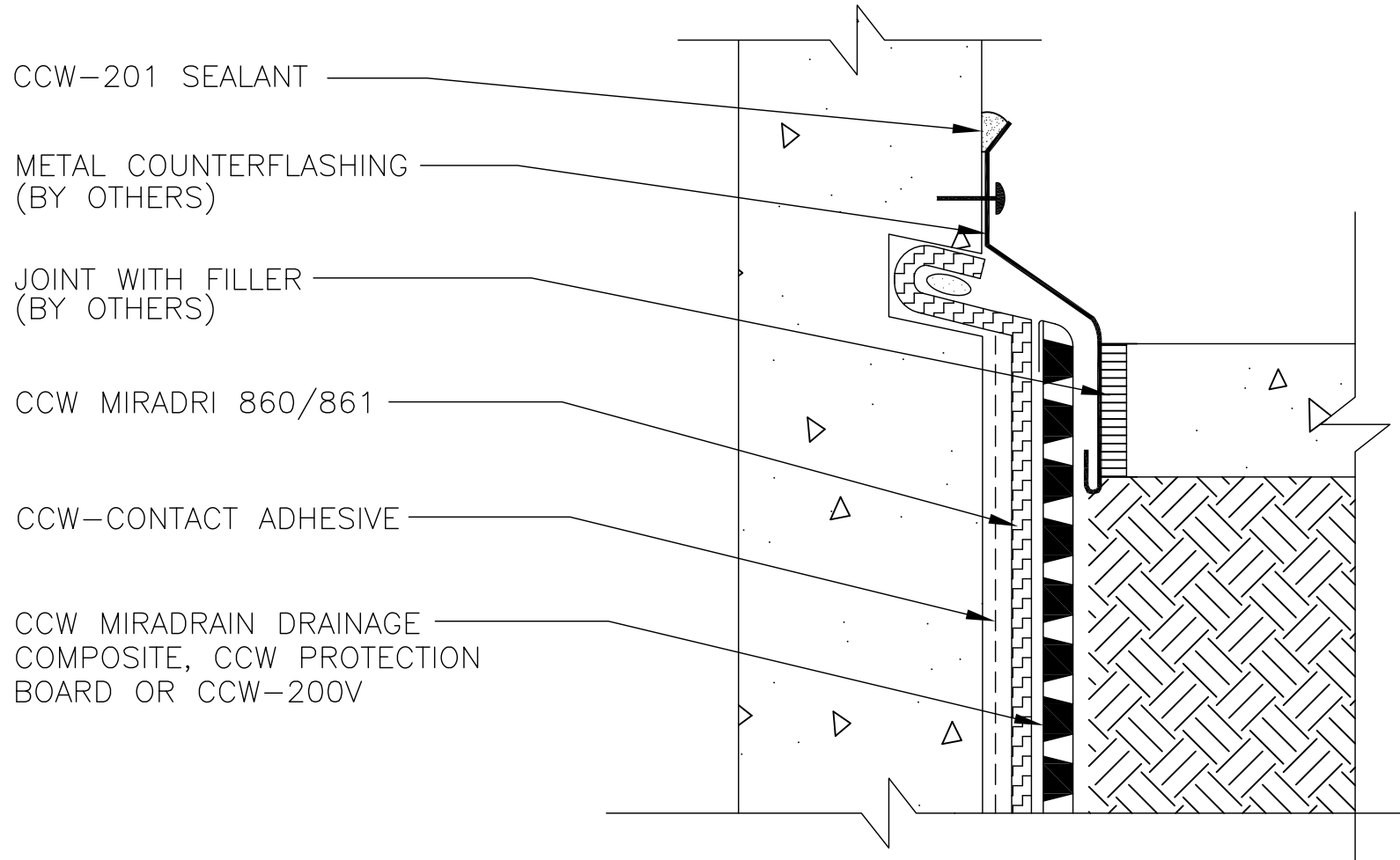
AS A MANUFACTURER OF CONSTRUCTION MATERIALS, CARLISLE, DOES NOT ASSUME RESPONSIBILITY FOR ERRORS IN DESIGN OR ENGINEERING. ARCHITECT OR OWNERS REPRESENTATIVE MUST VERIFY SUITABILITY OF DETAILS.

860-9C

VERTICAL TERMINATION  
W/ COUNTERFLASHING

**CARLISLE**  
COATINGS & WATERPROOFING

© 2016 CARLISLE CORPORATION



NOTES:

1. STOP CCW MIRADRI 860/861 AND CCW MIRADRAIN DRAINAGE COMPOSITE (IF USED) APPROXIMATELY 6" BELOW FINAL GRADE.
2. IF CCW MIRADRI 860/861 MEMBRANE EXTENDS ABOVE FINAL GRADE, COUNTERFLASHING MUST BE PROVIDED FOR MEMBRANE AND DRAINAGE TERMINATION AND PROTECTION.

AS A MANUFACTURER OF CONSTRUCTION MATERIALS,  
CARLISLE, DOES NOT ASSUME RESPONSIBILITY FOR ERRORS  
IN DESIGN OR ENGINEERING. ARCHITECT OR OWNERS  
REPRESENTATIVE MUST VERIFY SUITABILITY OF DETAILS.

860-9D

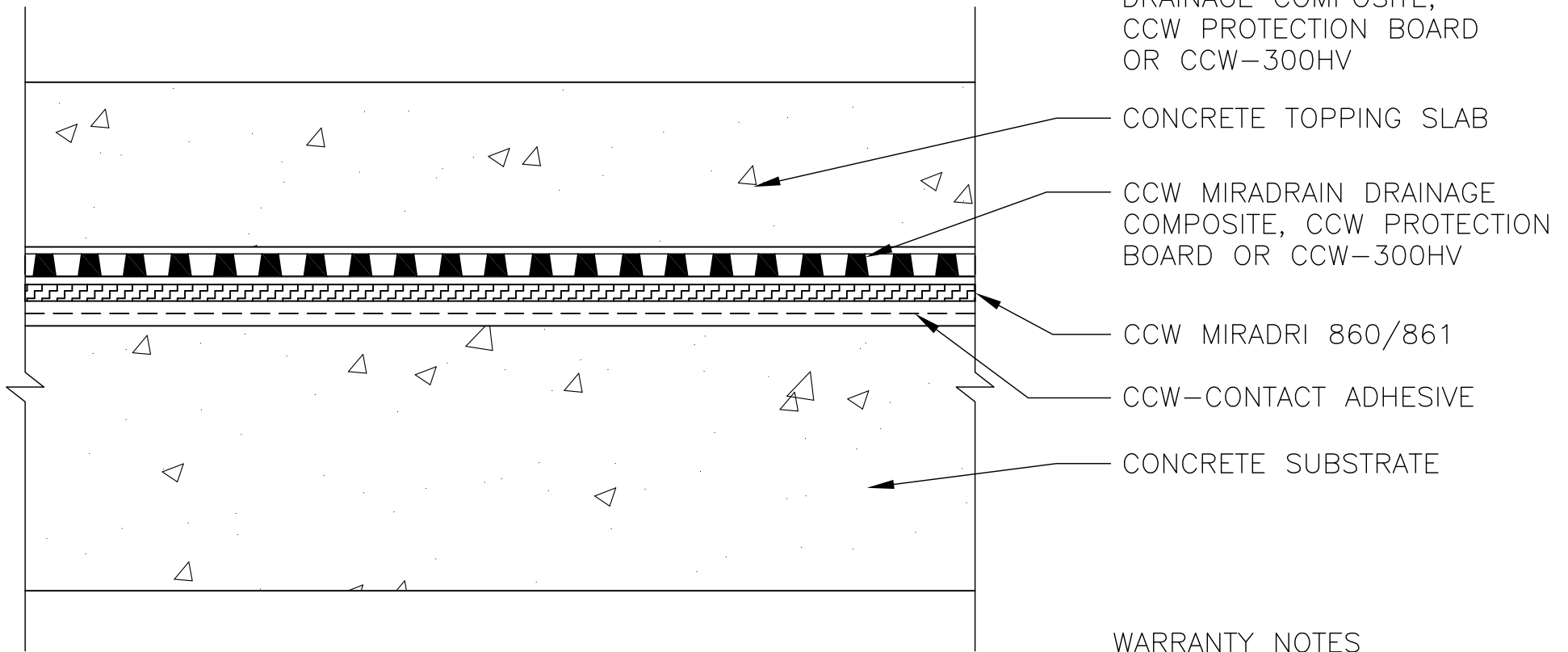
SURFACE MOUNTED  
COUNTERFLASHING

**CARLISLE**  
COATINGS & WATERPROOFING

© 2016 CARLISLE CORPORATION

NOTES:

1. APPLY CCW-CONTACT ADHESIVE TO ENTIRE SURFACE AREA.
2. APPLY CCW MIRADRI 860/861 SYSTEM TO ENTIRE SURFACE AREA.
3. INSTALL CCW MIRADRAIN DRAINAGE COMPOSITE, CCW PROTECTION BOARD OR CCW-300HV



CONCRETE TOPPING SLAB

CCW MIRADRAIN DRAINAGE COMPOSITE, CCW PROTECTION BOARD OR CCW-300HV

CCW MIRADRI 860/861

CCW-CONTACT ADHESIVE

CONCRETE SUBSTRATE

WARRANTY NOTES

FOR ULTRA WARRANTY USE CCW MIRADRAIN DRAINAGE COMPOSITE AND CCW LIQUI-DECK INSTEAD OF CCW CONTACT ADHESIVE ON PLAZA DECK APPLICATIONS.

AS A MANUFACTURER OF CONSTRUCTION MATERIALS, CARLISLE, DOES NOT ASSUME RESPONSIBILITY FOR ERRORS IN DESIGN OR ENGINEERING. ARCHITECT OR OWNERS REPRESENTATIVE MUST VERIFY SUITABILITY OF DETAILS.

860-10A

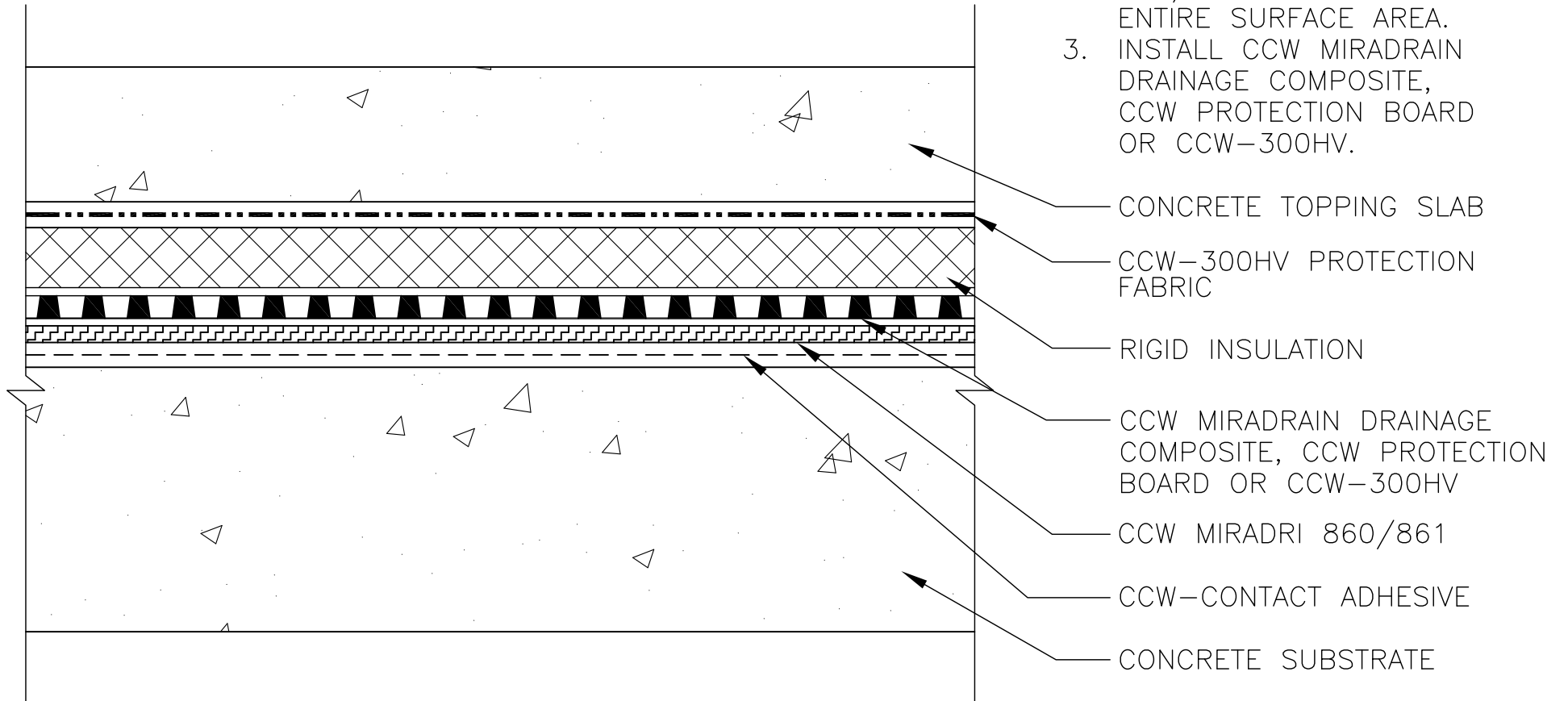
SPLIT SLAB PLAZA DECK

**CARLISLE**  
COATINGS & WATERPROOFING

© 2016 CARLISLE CORPORATION

NOTES:

1. APPLY CCW-CONTACT ADHESIVE TO ENTIRE SURFACE AREA.
2. APPLY CCW MIRADRI 860/861 SYSTEM TO ENTIRE SURFACE AREA.
3. INSTALL CCW MIRADRAIN DRAINAGE COMPOSITE, CCW PROTECTION BOARD OR CCW-300HV.



- CONCRETE TOPPING SLAB
- CCW-300HV PROTECTION FABRIC
- RIGID INSULATION
- CCW MIRADRAIN DRAINAGE COMPOSITE, CCW PROTECTION BOARD OR CCW-300HV
- CCW MIRADRI 860/861
- CCW-CONTACT ADHESIVE
- CONCRETE SUBSTRATE

WARRANTY NOTES

FOR ULTRA WARRANTY USE CCW MIRADRAIN DRAINAGE COMPOSITE AND CCW 703-V LIQUISEAL INSTEAD OF CCW CONTACT ADHESIVE ON PLAZA DECK APPLICATIONS.

AS A MANUFACTURER OF CONSTRUCTION MATERIALS, CARLISLE, DOES NOT ASSUME RESPONSIBILITY FOR ERRORS IN DESIGN OR ENGINEERING. ARCHITECT OR OWNERS REPRESENTATIVE MUST VERIFY SUITABILITY OF DETAILS.

860-10B

INSULATED PLAZA DECK

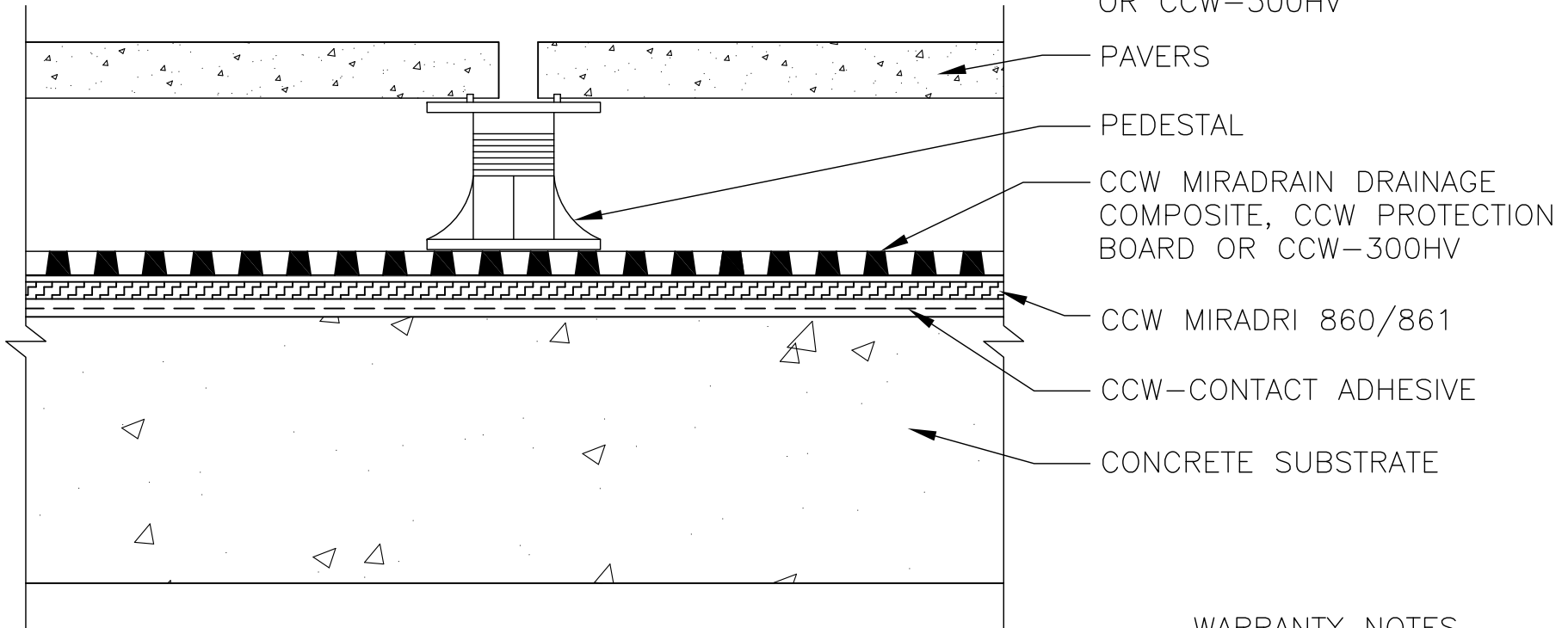


© 2016 CARLISLE CORPORATION



NOTES:

1. APPLY CCW-CONTACT ADHESIVE TO ENTIRE SURFACE AREA.
2. APPLY CCW MIRADRI 860/861 SYSTEM TO ENTIRE SURFACE AREA.
3. INSTALL CCW MIRADRAIN DRAINAGE COMPOSITE, CCW PROTECTION BOARD OR CCW-300HV



WARRANTY NOTES

FOR ULTRA WARRANTY USE CCW MIRADRAIN DRAINAGE COMPOSITE AND CCW LIQUI-DECK INSTEAD OF CCW CONTACT ADHESIVE ON PLAZA DECK APPLICATIONS.

AS A MANUFACTURER OF CONSTRUCTION MATERIALS, CARLISLE, DOES NOT ASSUME RESPONSIBILITY FOR ERRORS IN DESIGN OR ENGINEERING. ARCHITECT OR OWNERS REPRESENTATIVE MUST VERIFY SUITABILITY OF DETAILS.

860-10C

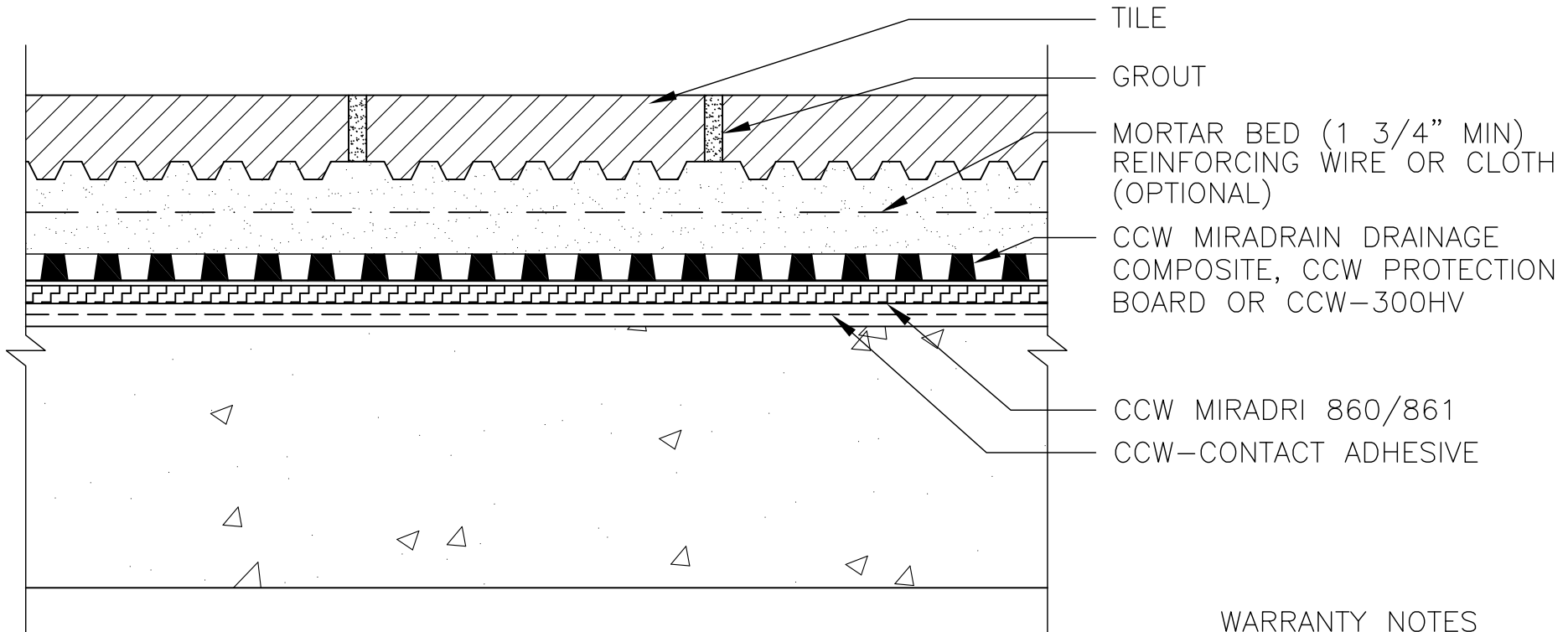
PAVER PLAZA DECK

**CARLISLE**  
COATINGS & WATERPROOFING

© 2016 CARLISLE CORPORATION

NOTES:

1. APPLY CCW-CONTACT ADHESIVE TO ENTIRE SURFACE AREA.
2. APPLY CCW MIRADRI 860/861 SYSTEM TO ENTIRE SURFACE AREA.
3. INSTALL CCW MIRADRAIN DRAINAGE COMPOSITE, CCW PROTECTION BOARD OR CCW-300HV.
4. IF CERAMIC TILE IS USED CONSULT TILE COUNCIL OF AMERICA



WARRANTY NOTES

FOR ULTRA WARRANTY USE CCW MIRADRAIN DRAINAGE COMPOSITE AND CCW LIQUI-DECK INSTEAD OF CCW CONTACT ADHESIVE ON PLAZA DECK APPLICATIONS.

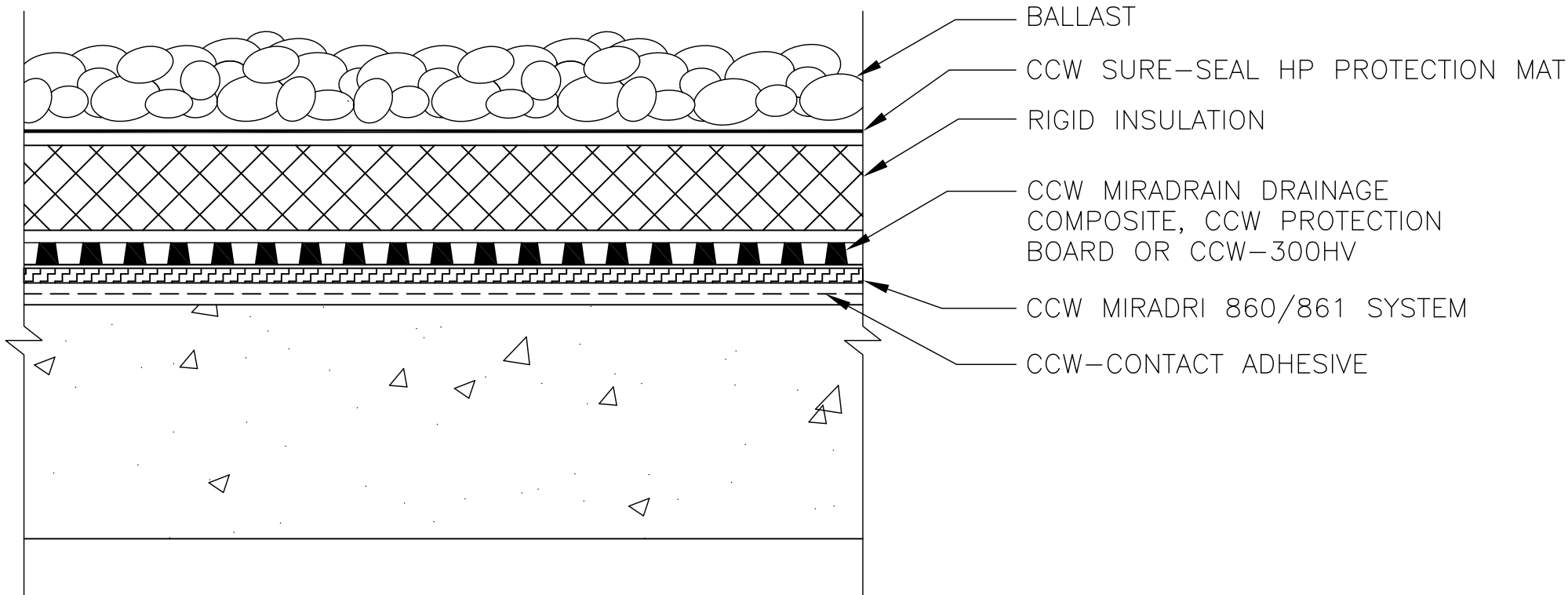
AS A MANUFACTURER OF CONSTRUCTION MATERIALS, CARLISLE, DOES NOT ASSUME RESPONSIBILITY FOR ERRORS IN DESIGN OR ENGINEERING. ARCHITECT OR OWNERS REPRESENTATIVE MUST VERIFY SUITABILITY OF DETAILS.

860-10D

MORTAR BED W/ PAVER  
PLAZA DECK

**CARLISLE**  
COATINGS & WATERPROOFING

© 2016 CARLISLE CORPORATION



WARRANTY NOTES

FOR ULTRA WARRANTY USE CCW MIRADRAIN DRAINAGE COMPOSITE AND CCW LIQUI-DECK INSTEAD OF CCW CONTACT ADHESIVE ON PLAZA DECK APPLICATIONS.

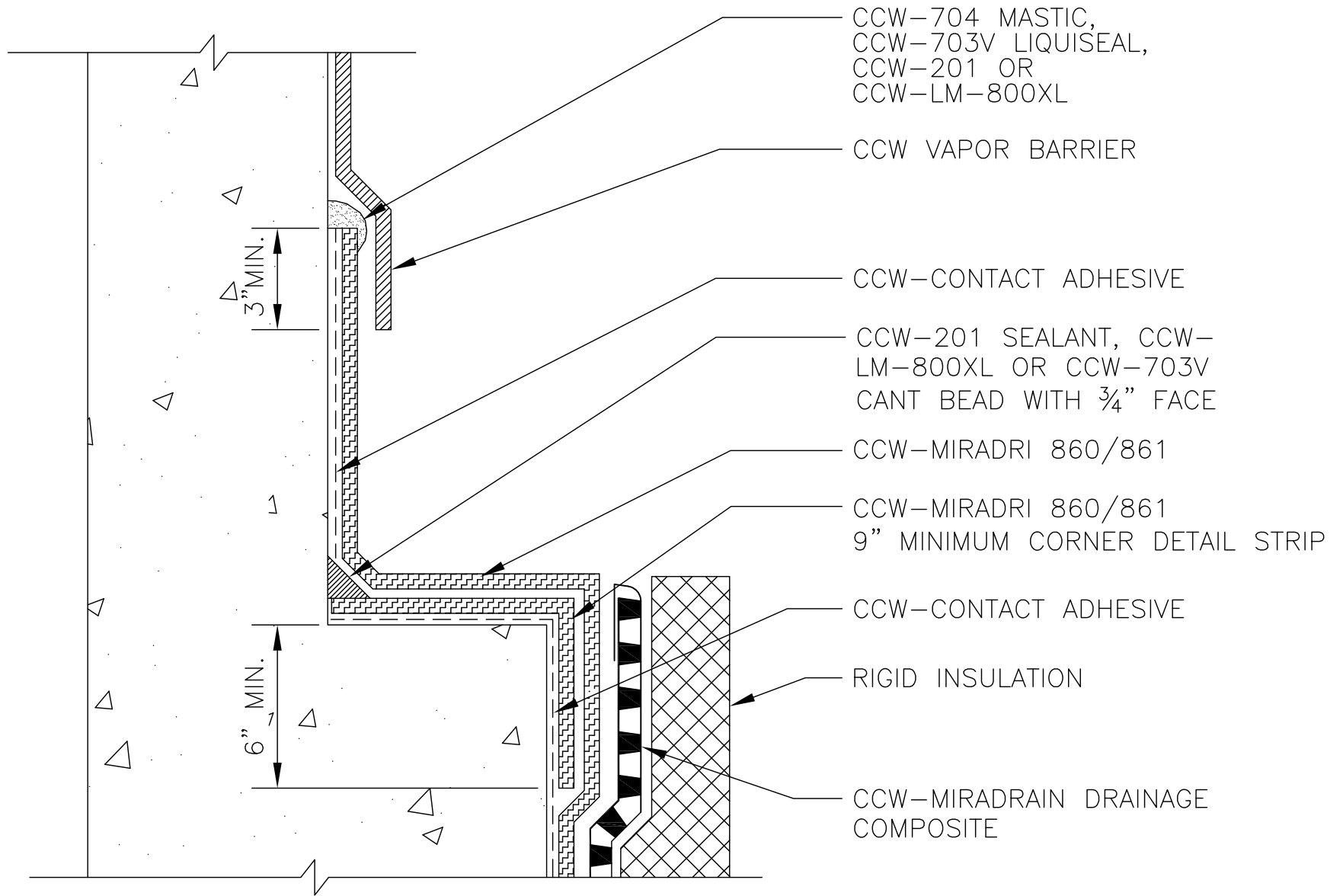
AS A MANUFACTURER OF CONSTRUCTION MATERIALS, CARLISLE, DOES NOT ASSUME RESPONSIBILITY FOR ERRORS IN DESIGN OR ENGINEERING. ARCHITECT OR OWNERS REPRESENTATIVE MUST VERIFY SUITABILITY OF DETAILS.

860-10E

INSULATED BALLAST  
ROOF DECK



© 2016 CARLISLE CORPORATION



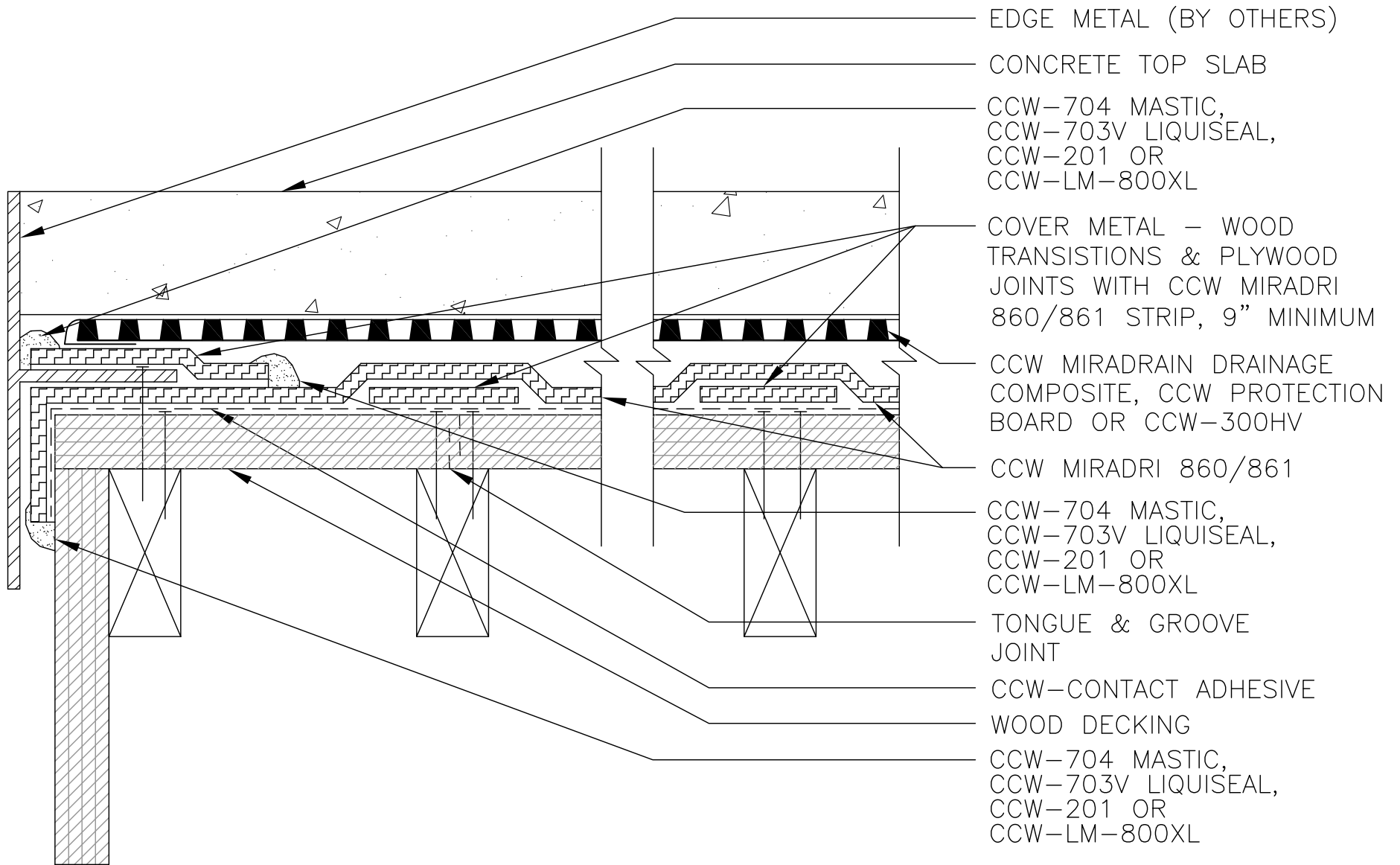
AS A MANUFACTURER OF CONSTRUCTION MATERIALS,  
CARLISLE, DOES NOT ASSUME RESPONSIBILITY FOR ERRORS  
IN DESIGN OR ENGINEERING. ARCHITECT OR OWNERS  
REPRESENTATIVE MUST VERIFY SUITABILITY OF DETAILS.

860-11A

CCW-MIRADRI 860 TO AVB  
TIE-IN AT BRICK LEDGE

**CARLISLE**  
COATINGS & WATERPROOFING

© 2016 CARLISLE CORPORATION



WARRANTY NOTES  
FOR ULTRA WARRANTY USE CCW MIRADRAIN  
DRAINAGE COMPOSITE AND CCW LIQUI-DECK  
INSTEAD OF CCW CONTACT ADHESIVE ON  
PLAZA DECK APPLICATIONS.

AS A MANUFACTURER OF CONSTRUCTION MATERIALS,  
CARLISLE, DOES NOT ASSUME RESPONSIBILITY FOR ERRORS  
IN DESIGN OR ENGINEERING. ARCHITECT OR OWNERS  
REPRESENTATIVE MUST VERIFY SUITABILITY OF DETAILS.

860-12A

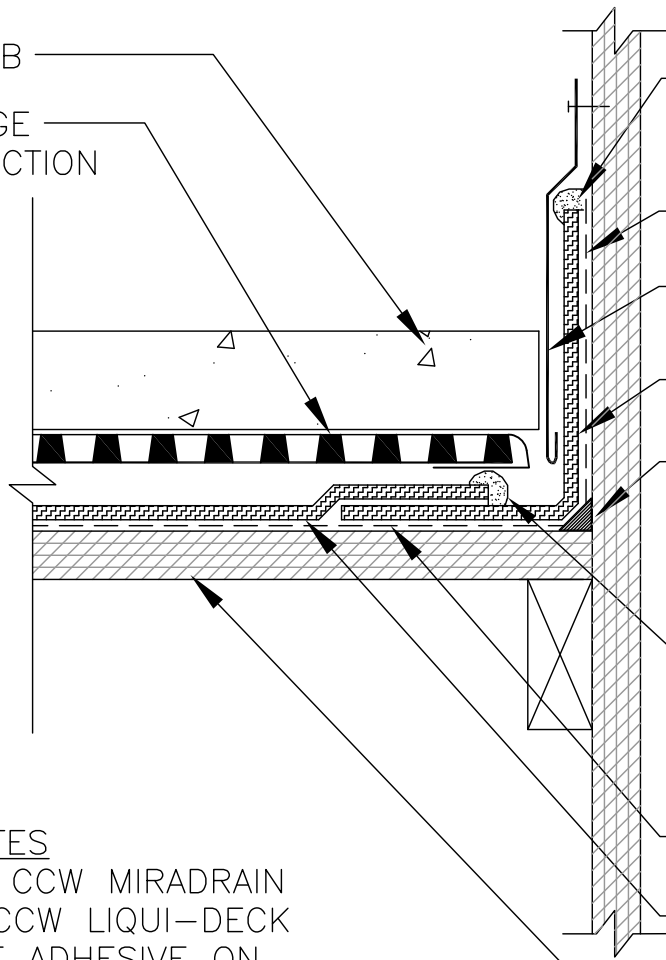
WOOD DECKING EDGE  
CONDITION

**CARLISLE**  
COATINGS & WATERPROOFING

© 2016 CARLISLE CORPORATION

CONCRETE TOPPING SLAB

CCW MIRADRAIN DRAINAGE COMPOSITE, CCW PROTECTION BOARD OR CCW-300HV



CCW-201, CCW-LM-800XL, CCW-704 MASTIC, OR CCW-703V LIQUISEAL

CCW-CONTACT ADHESIVE

COUNTER FLASHING BY OTHERS

CCW MIRADRI 860/861

CCW-201 SEALANT, CCW-LM-800XL OR CCW-703V CANT BEAD WITH 3/4" FACE

CCW-704 MASTIC, CCW-703V LIQUISEAL, CCW-201 OR CCW-LM-800XL

CCW-CONTACT ADHESIVE

CCW MIRADRI 860/861

DECKING

WARRANTY NOTES

FOR ULTRA WARRANTY USE CCW MIRADRAIN DRAINAGE COMPOSITE AND CCW LIQUI-DECK INSTEAD OF CCW CONTACT ADHESIVE ON PLAZA DECK APPLICATIONS.

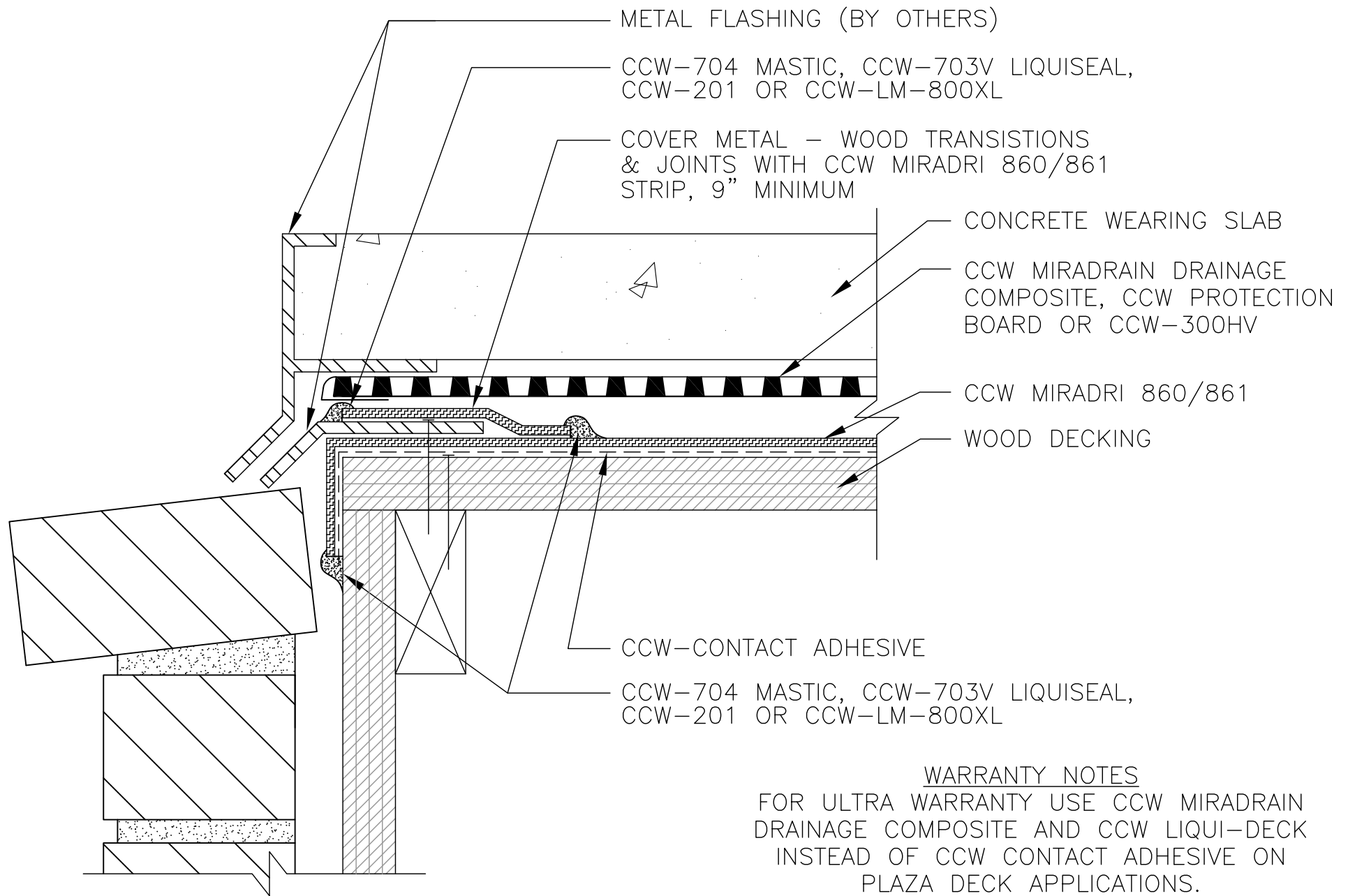
AS A MANUFACTURER OF CONSTRUCTION MATERIALS, CARLISLE, DOES NOT ASSUME RESPONSIBILITY FOR ERRORS IN DESIGN OR ENGINEERING. ARCHITECT OR OWNERS REPRESENTATIVE MUST VERIFY SUITABILITY OF DETAILS.

860-12B

WOOD DECKING WALL  
CONDITION



© 2016 CARLISLE CORPORATION



WARRANTY NOTES  
 FOR ULTRA WARRANTY USE CCW MIRADRAIN DRAINAGE COMPOSITE AND CCW LIQUI-DECK INSTEAD OF CCW CONTACT ADHESIVE ON PLAZA DECK APPLICATIONS.

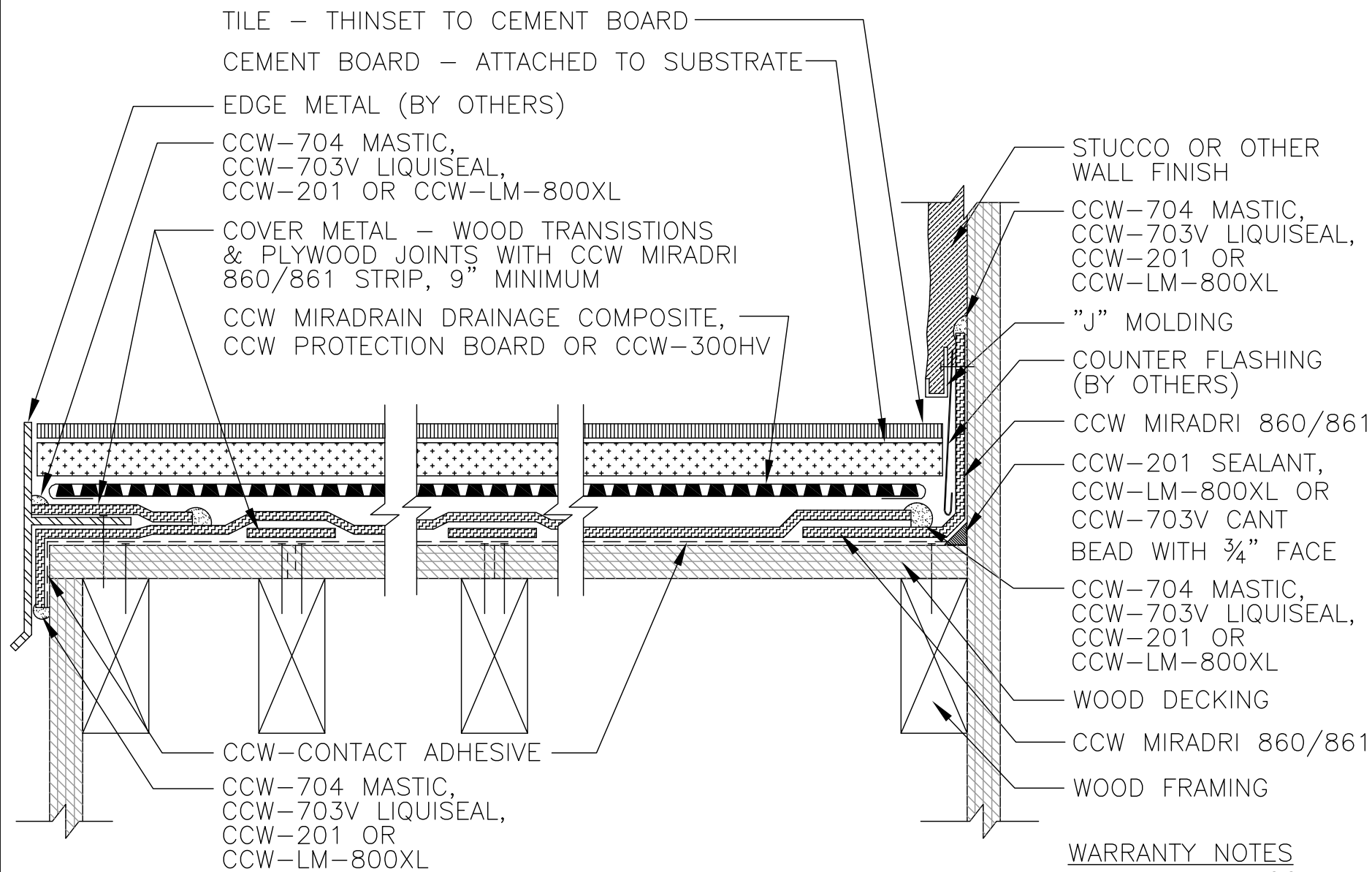
AS A MANUFACTURER OF CONSTRUCTION MATERIALS, CARLISLE, DOES NOT ASSUME RESPONSIBILITY FOR ERRORS IN DESIGN OR ENGINEERING. ARCHITECT OR OWNERS REPRESENTATIVE MUST VERIFY SUITABILITY OF DETAILS.

860-12C

CCW MIRADRI 860/861  
 EDGE DETAIL AT BRICK



© 2016 CARLISLE CORPORATION



WARRANTY NOTES

FOR ULTRA WARRANTY USE CCW MIRADRAIN DRAINAGE COMPOSITE AND CCW LIQUI-DECK INSTEAD OF CCW CONTACT ADHESIVE ON PLAZA DECK APPLICATIONS.

AS A MANUFACTURER OF CONSTRUCTION MATERIALS, CARLISLE, DOES NOT ASSUME RESPONSIBILITY FOR ERRORS IN DESIGN OR ENGINEERING. ARCHITECT OR OWNERS REPRESENTATIVE MUST VERIFY SUITABILITY OF DETAILS.

860-12D

PLYWOOD DECKS  
WITH THINSET TILE

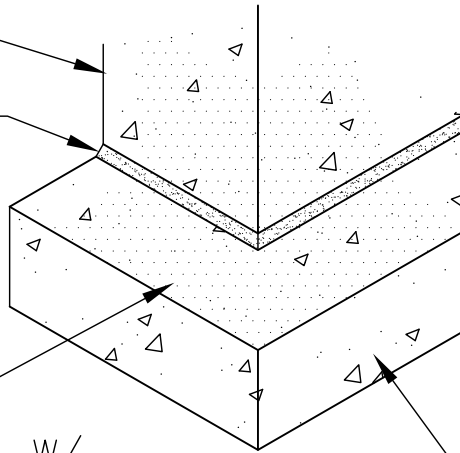
**CARLISLE**  
COATINGS & WATERPROOFING

© 2016 CARLISLE CORPORATION

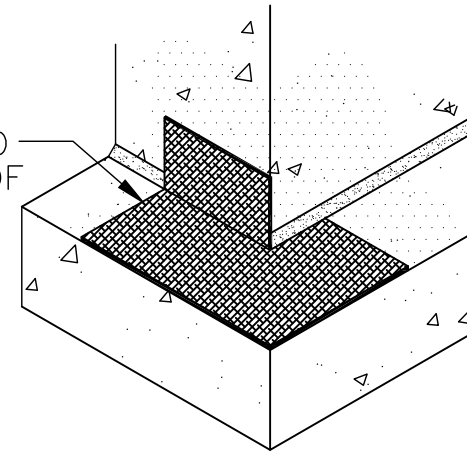


CONCRETE WALL  
 CCW-201 SEALANT,  
 CCW-LM-800XL OR  
 CCW-703V LIQUISEAL  
 CANT BEAD WITH 3/4" FACE

PREPARE ALL SURFACES TO RECEIVE CCW MIRADRI 860/861 W/ CCW-CONTACT ADHESIVE



CUT AND FOLD FIRST PIECE OF CCW MIRADRI 860/861 AROUND CORNER ON FOOTING

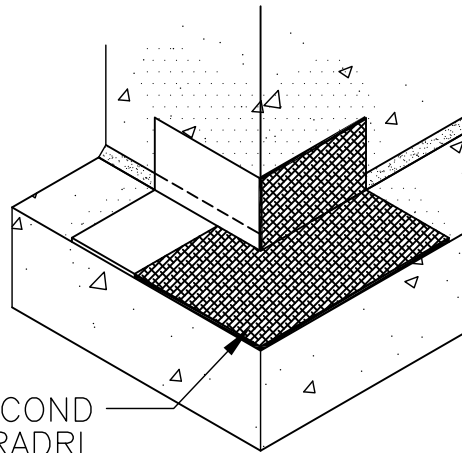


CONCRETE FOOTING

STEP ONE

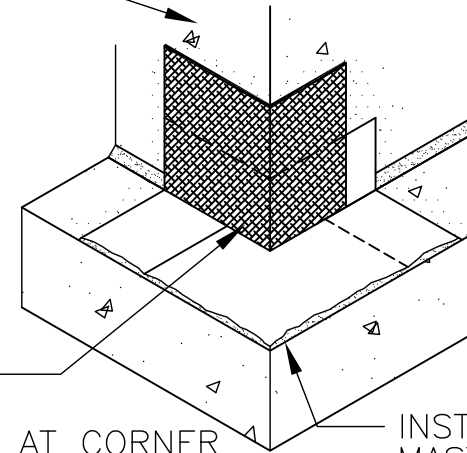
STEP TWO

INSTALL CCW MIRADRI 860/861 ON WALL OVER DETAIL STRIPS



CUT AND FOLD SECOND PIECE OF CCW MIRADRI 860/861 AROUND CORNER ON FOOTING COVERING THE FIRST SECTION

INSTALL VERTICAL 9" STRIP OF CCW MIRADRI 860/861 AT CORNER COVERING OVER THE PREVIOUS TWO SECTIONS - HEIGHT VARIES PER JOB



INSTALL CCW-704 MASTIC, CCW-703V LIQUISEAL, CCW-201 OR CCW-LM-800XL AT TERMINATIONS

STEP THREE

STEP FOUR

AS A MANUFACTURER OF CONSTRUCTION MATERIALS, CARLISLE, DOES NOT ASSUME RESPONSIBILITY FOR ERRORS IN DESIGN OR ENGINEERING. ARCHITECT OR OWNERS REPRESENTATIVE MUST VERIFY SUITABILITY OF DETAILS.

860-15A.1

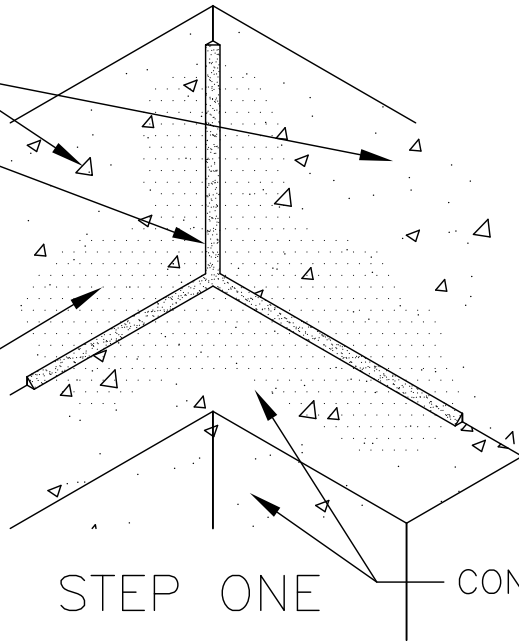
CCW MIRADRI 860/861  
 WALL/FOOTING/OUTSIDE CORNER DETAIL



© 2016 CARLISLE CORPORATION

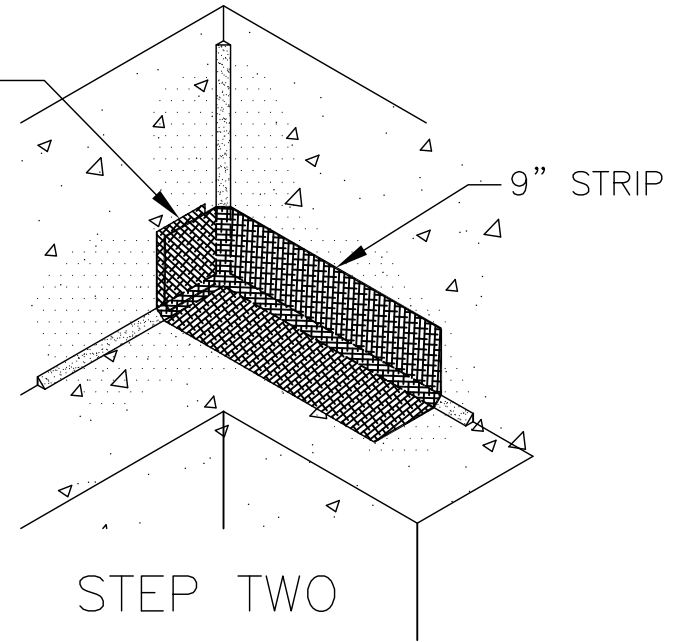
CONCRETE WALL  
 CCW-201 SEALANT,  
 CCW-LM-800XL OR  
 CCW-703V LIQUISEAL  
 CANT BEAD WITH 3/4" FACE

PREPARE ALL SURFACES TO RECEIVE CCW MIRADRI 860/861 W/ CCW-CONTACT ADHESIVE



STEP ONE CONCRETE FOOTING

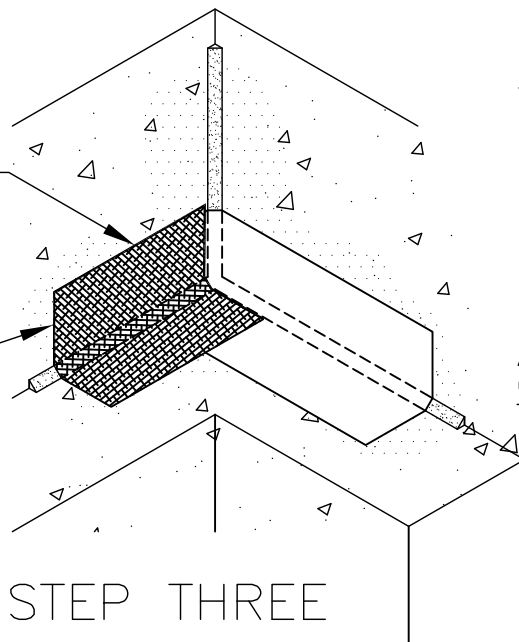
CUT AND FOLD FIRST PIECE OF CCW MIRADRI 860/861 & INSTALL INTO & AROUND CORNER



STEP TWO 9" STRIP

INSTALL SECOND PIECE OF CCW MIRADRI 860/861 STARTING AT CORNER & COVERING THE FIRST PIECE

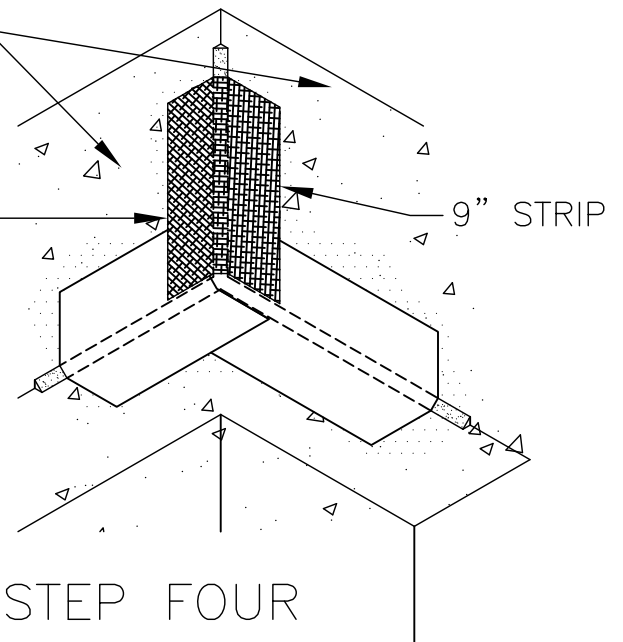
9" STRIP



STEP THREE 9" STRIP

INSTALL CCW MIRADRI 860/861 WALL MEMBRANE OVER STRIPS

INSTALL VERTICAL FIRST PIECE OF CCW MIRADRI 860/861 STARTING AT CORNER & COVERING FIRST TWO PIECES



STEP FOUR 9" STRIP

AS A MANUFACTURER OF CONSTRUCTION MATERIALS, CARLISLE, DOES NOT ASSUME RESPONSIBILITY FOR ERRORS IN DESIGN OR ENGINEERING. ARCHITECT OR OWNERS REPRESENTATIVE MUST VERIFY SUITABILITY OF DETAILS.

860-15A.2

CCW MIRADRI 860/861  
 WALL/FOOTING/INSIDE CORNER DETAIL

**CARLISLE**  
 COATINGS & WATERPROOFING

© 2016 CARLISLE CORPORATION

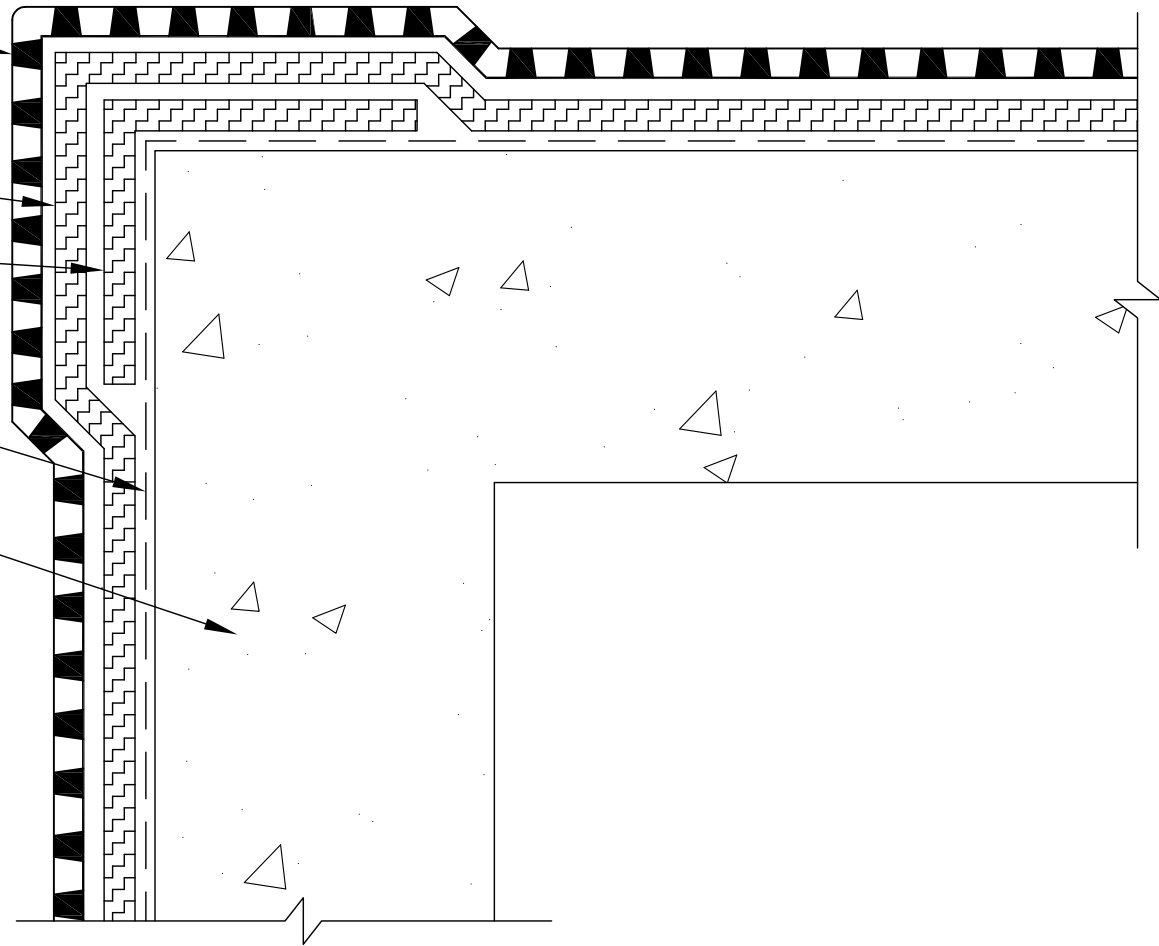
CCW MIRADRAIN DRAINAGE  
COMPOSITE, CCW PROTECTION  
BOARD OR CCW-200V

CCW MIRADRI 860/861

9" STRIP OF CCW MIRADRI  
860/861 CENTERED ON CORNER

CCW-CONTACT ADHESIVE

CONCRETE WALL



PLAN VIEW

AS A MANUFACTURER OF CONSTRUCTION MATERIALS,  
CARLISLE, DOES NOT ASSUME RESPONSIBILITY FOR ERRORS  
IN DESIGN OR ENGINEERING. ARCHITECT OR OWNERS  
REPRESENTATIVE MUST VERIFY SUITABILITY OF DETAILS.

860-15B

VERTICAL OUTSIDE CORNER

**CARLISLE**  
COATINGS & WATERPROOFING

© 2016 CARLISLE CORPORATION

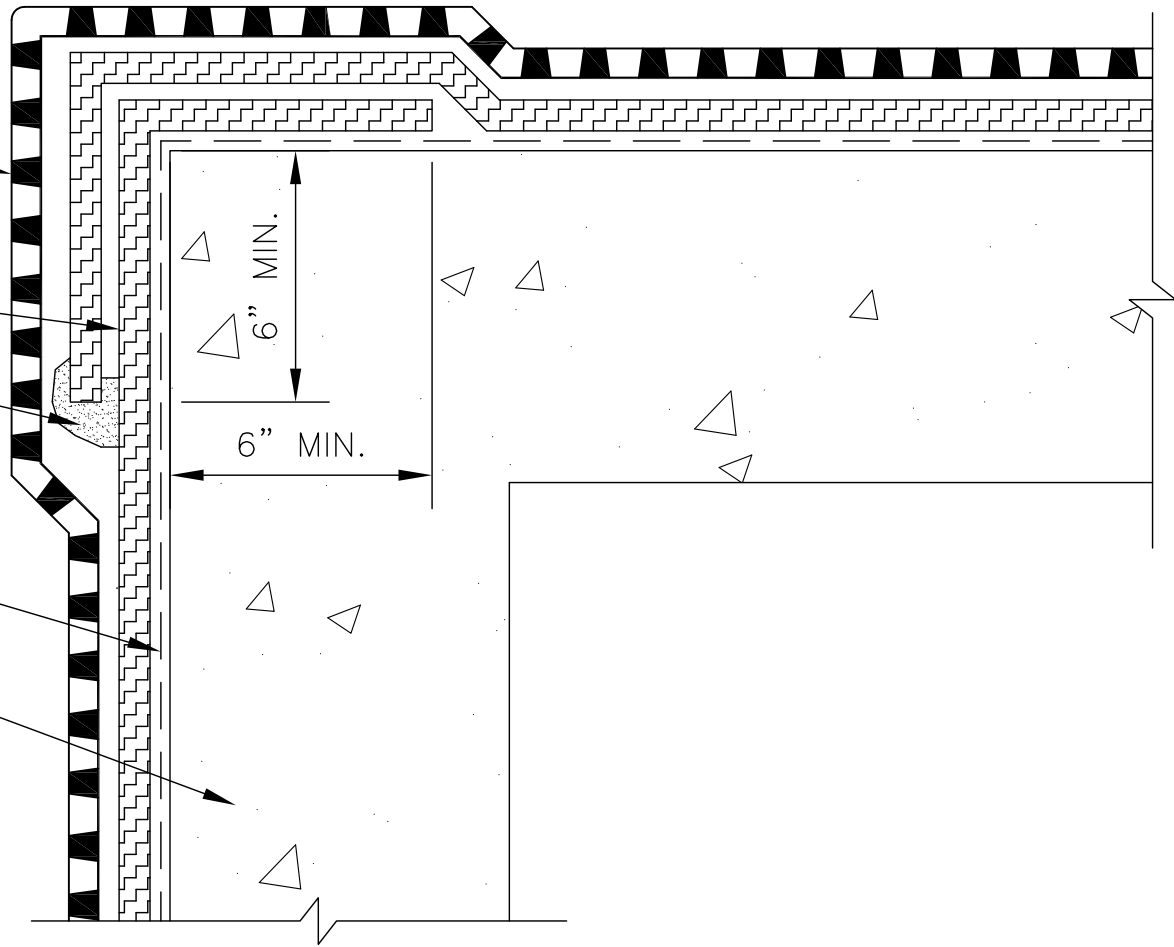
CCW MIRADRAIN DRAINAGE  
COMPOSITE, CCW PROTECTION  
BOARD OR CCW-200V

CCW MIRADRI 860/861

CCW-704 MASTIC,  
CCW-703V LIQUISEAL,  
CCW-201 OR  
CCW-LM-800XL

CCW-CONTACT ADHESIVE

CONCRETE WALL



PLAN VIEW

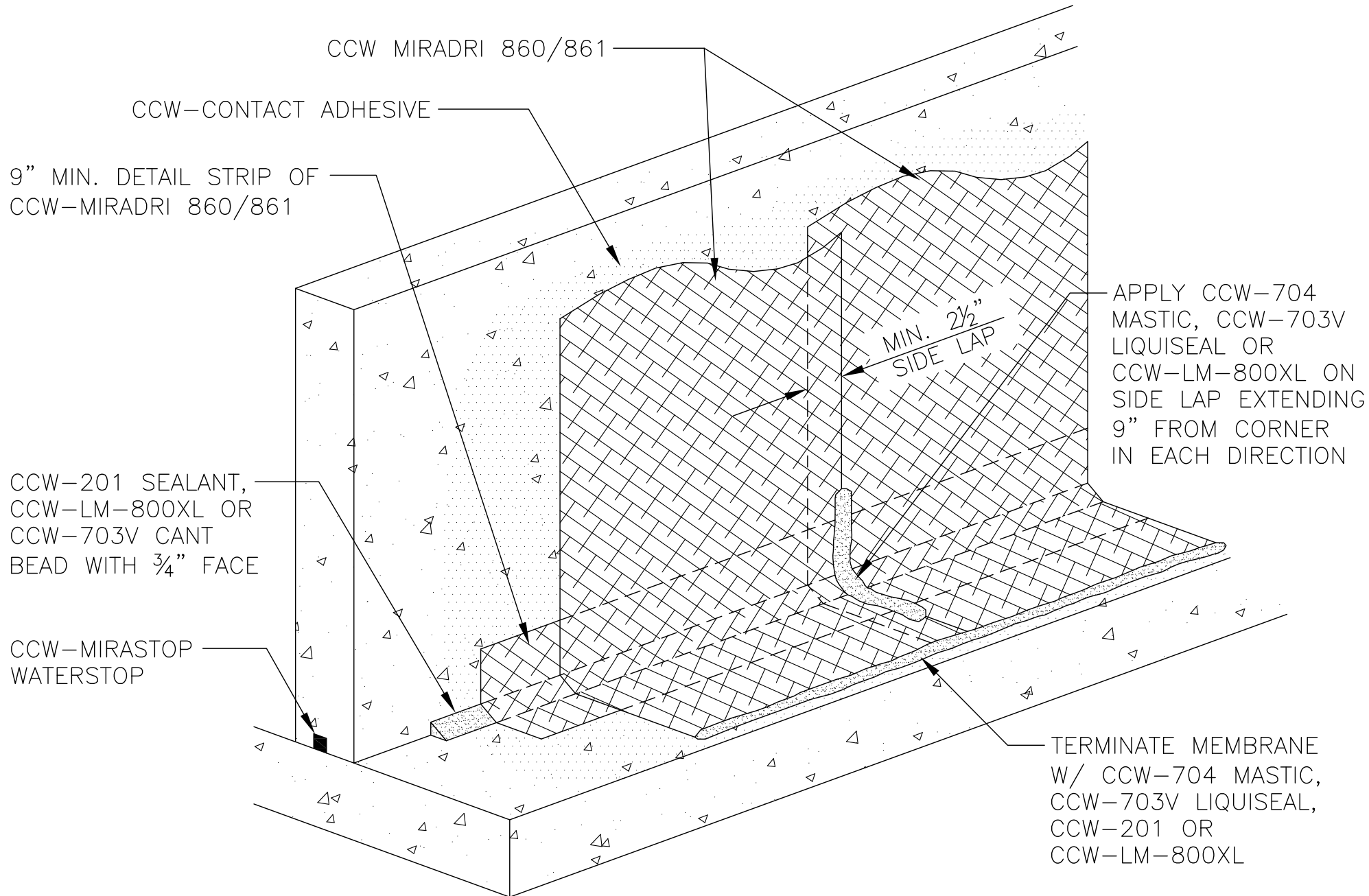
AS A MANUFACTURER OF CONSTRUCTION MATERIALS,  
CARLISLE, DOES NOT ASSUME RESPONSIBILITY FOR ERRORS  
IN DESIGN OR ENGINEERING. ARCHITECT OR OWNERS  
REPRESENTATIVE MUST VERIFY SUITABILITY OF DETAILS.

860-15C

VERTICAL OUTSIDE CORNER

**CARLISLE**  
COATINGS & WATERPROOFING

© 2016 CARLISLE CORPORATION



AS A MANUFACTURER OF CONSTRUCTION MATERIALS, CARLISLE, DOES NOT ASSUME RESPONSIBILITY FOR ERRORS IN DESIGN OR ENGINEERING. ARCHITECT OR OWNERS REPRESENTATIVE MUST VERIFY SUITABILITY OF DETAILS.

860-15D

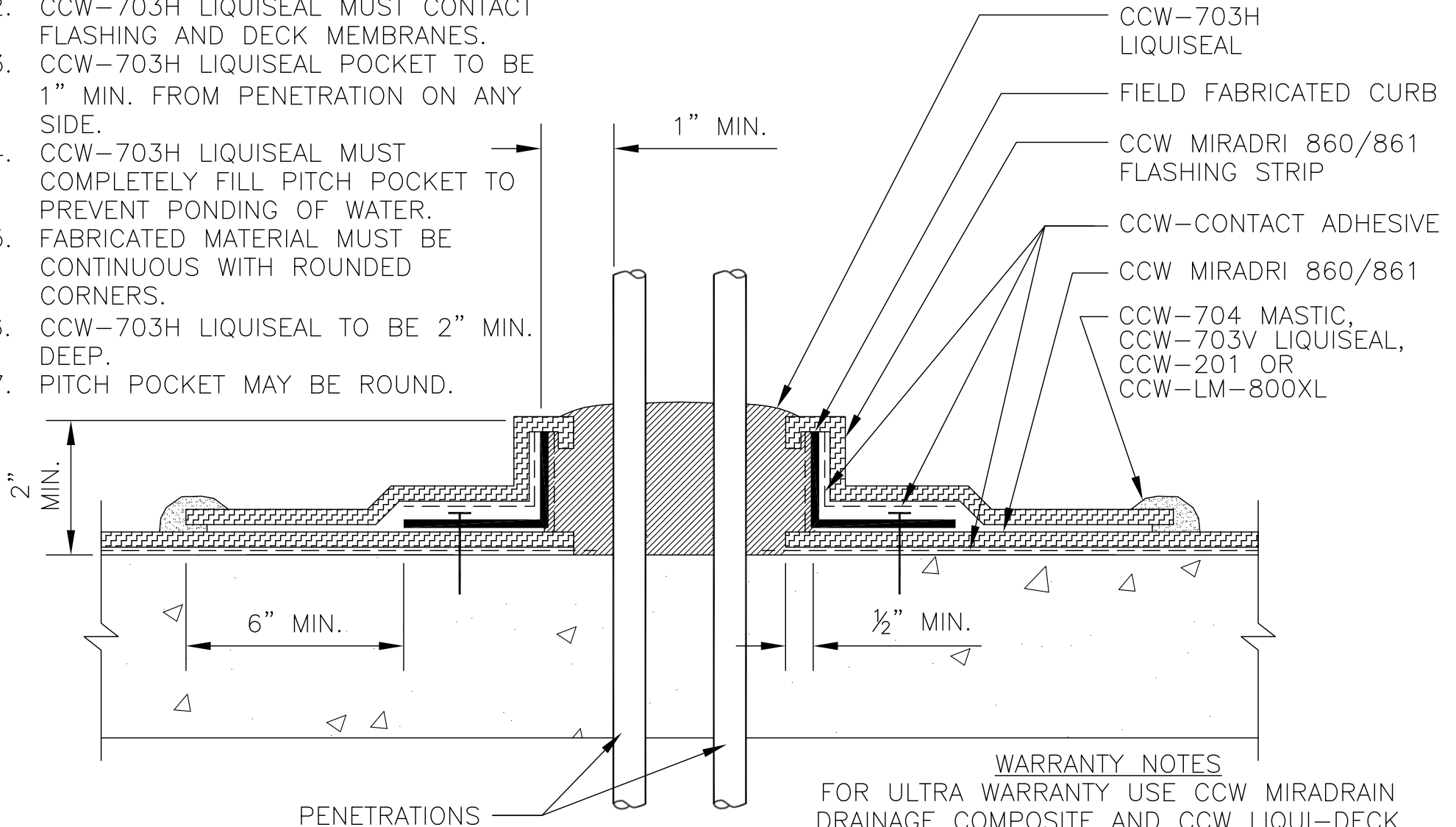
FOOTING CROSS SECTION

**CARLISLE**  
COATINGS & WATERPROOFING

© 2016 CARLISLE CORPORATION

**NOTES:**

1. 180°F MAX. TEMPERATURE.
2. CCW-703H LIQUISEAL MUST CONTACT FLASHING AND DECK MEMBRANES.
3. CCW-703H LIQUISEAL POCKET TO BE 1" MIN. FROM PENETRATION ON ANY SIDE.
4. CCW-703H LIQUISEAL MUST COMPLETELY FILL PITCH POCKET TO PREVENT PONDING OF WATER.
5. FABRICATED MATERIAL MUST BE CONTINUOUS WITH ROUNDED CORNERS.
6. CCW-703H LIQUISEAL TO BE 2" MIN. DEEP.
7. PITCH POCKET MAY BE ROUND.



**WARRANTY NOTES**

FOR ULTRA WARRANTY USE CCW MIRADRAIN DRAINAGE COMPOSITE AND CCW LIQUI-DECK INSTEAD OF CCW CONTACT ADHESIVE ON PLAZA DECK APPLICATIONS.

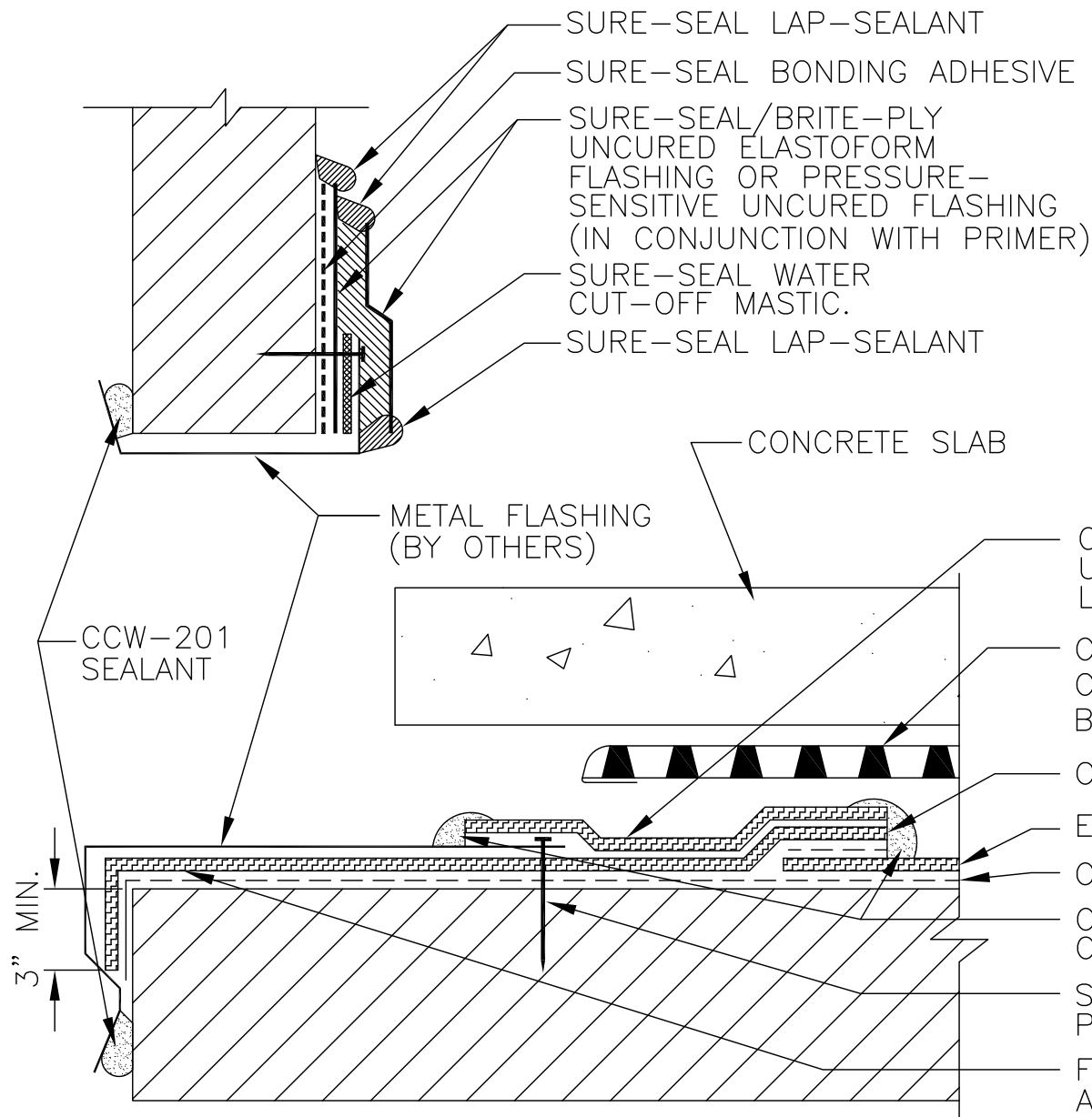
AS A MANUFACTURER OF CONSTRUCTION MATERIALS, CARLISLE, DOES NOT ASSUME RESPONSIBILITY FOR ERRORS IN DESIGN OR ENGINEERING. ARCHITECT OR OWNERS REPRESENTATIVE MUST VERIFY SUITABILITY OF DETAILS.

860-16

PITCH POCKET



© 2016 CARLISLE CORPORATION



**NOTES:**

1. METAL SCUPPER BOX MUST HAVE CONTINUOUS SIDES, METAL FLANGE MUST BE CONTINUOUS WITH ROUND CORNERS.
2. WATER CUT-OFF MASTIC MUST BE HELD UNDER CONSTANT COMPRESSION.
3. METAL SCUPPER FLANGE ON WALL MUST BE TOTALLY COVERED BY UNCURED ELASTOFORM FLASHING.
4. UNCURED ELASTOFORM FLASHING MUST OVERLAP WALL FLASHING 3" (8 cm) MIN.
5. A MIN. 2" (5 cm) FLASHING SPLICE IS REQUIRED PAST THE NAIL HEAD ON THE METAL FLANGE OF THE SCUPPER.

CCW MIRADRI 860/861 - TIE INTO EXISTING USING AS REQUIRED CCW-702 AND CCW-LM-800XL

CCW MIRADRAIN DRAINAGE COMPOSITE, CCW PROTECTION BOARD OR CCW-300HV

CCW-MIRADRI 860/861

EXISTING CCW-MIRADRI 860/861

CCW-CONTACT ADHESIVE

CCW-704 MASTIC, CCW-703V LIQUISEAL, CCW-201 OR CCW-LM-800XL

SECURE METAL FLASHING TO PREVENT MOVEMENT

FLASH UNDER METAL FLASHING WITH A STRIP OF MIRADRI 860

AS A MANUFACTURER OF CONSTRUCTION MATERIALS, CARLISLE, DOES NOT ASSUME RESPONSIBILITY FOR ERRORS IN DESIGN OR ENGINEERING. ARCHITECT OR OWNERS REPRESENTATIVE MUST VERIFY SUITABILITY OF DETAILS.

860-18A

OVERFLOW METAL SCUPPER



© 2016 CARLISLE CORPORATION