

ROOF GARDEN

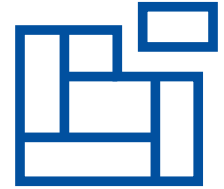
GreenGrid® G5 Modules



Beautiful • Efficient • Smart

Carlisle's GreenGrid G5 Roof Garden System

Carlisle's GreenGrid G5 Roof Garden system offers distinct advantages over more complex green roof systems. Its simplistic design minimizes installation challenges while remaining modular and removable.



Carlisle's GreenGrid Advantages

GreenGrid Roof Garden Systems are an easy way to create a stunning vegetated rooftop with minimum worry. The GreenGrid modules feature a very thin edge that is easily hidden by vegetation while maintaining their modular features that allow for easy installation and removal. GreenGrid G5 modules maintain the functionality of the original GreenGrid modules with improved structural design and stormwater retention.

Stormwater Management

GreenGrid Roof Garden Systems help alleviate stormwater runoff through retention and detention of precipitation. This benefit can cut costs associated with required municipal on-site stormwater retention.

Extends Roof Life

GreenGrid Roof Garden modules can protect the roof membrane from ultraviolet radiation and extreme temperature fluctuations, as well as puncture and other physical damage. Minimization of such exposure can improve the long-term performance of the roofing system.

Added Aesthetic Value

GreenGrid Roof Garden Systems provide urban environments with visually pleasing vistas and rooftop gardens. In urban environments, roof gardens also add value by converting space into areas usable for recreation by building occupants. In such locations, the scarcity of real estate makes the addition of a roof garden for such recreation a competitive alternative.

Maintenance

Maintaining your GreenGrid G5 Roof Garden system will help you maximize the benefits associated with a vegetated roof. Maintenance levels will be dependent upon the design of your GreenGrid Roof Garden. Since your GreenGrid Roof Garden is a living system, a specific maintenance program needs to be adopted and performed on a regular basis. Consult Carlisle for a specific maintenance plan for your design.

BENEFITS

- » Single-Source Overburden Warranty - provided free of charge when modules are purchased from Carlisle and installed over an approved Carlisle roofing system
- » Single-source responsibility – roofing contractors can install both the waterproofing and GreenGrid in one installation
- » No planting on the roof – modules arrive pre-vegetated with up to 95% coverage
- » Easy to handle and fast to install
- » Modules can be moved for modifications or roof repair





GENERAL INFORMATION

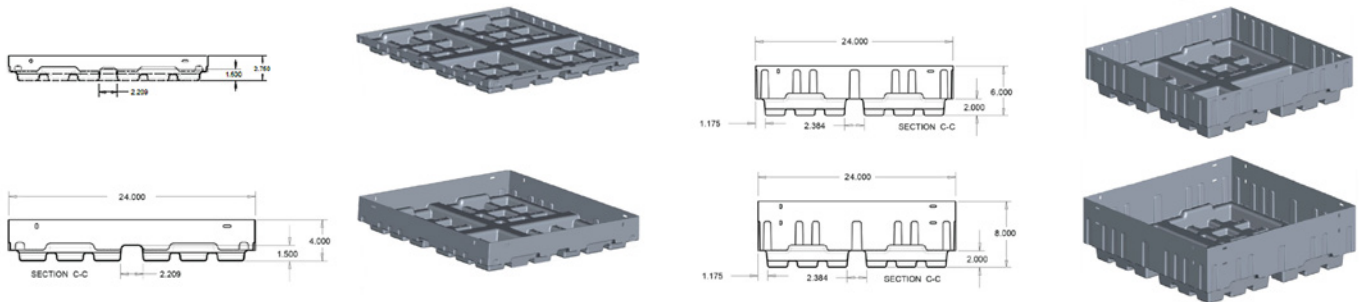
Carlisle's GreenGrid G5 modules come in 2.75" (6.99 cm), 4" (10.16 cm), 6" (15.24 cm), and 8" (29.32 cm) depths in standard 2' x 2' (61 cm x 61 cm) dimensions. Each module is manufactured using 100% pre-consumer recycled linear low or medium density polyethylene protected by UV stabilizers and is black in color.

2.75" Ultra-Extensive and 4" Extensive Systems

GreenGrid Extensive modules are typically composed of deciduous, semi-evergreen, and evergreen "base" species with "accent" species. The base mix is generally composed of five to eight species of Sedum with one to two accent species. Consult Carlisle for plant recommendations.

6" Semi-Intensive and 8" Intensive Systems

Plant selections may include varieties of ornamental and/or native groundcovers, grasses, perennials, and in some instances, trees and shrubs. Depending on the plant selection, an irrigation system is generally needed. Since these rooftop gardens are similar to a backyard garden, they will require varying degrees of long-term maintenance and care. Contact Carlisle for vegetation suggestions and assistance.



Additional Information and Features

		Ultra-Extensive System	Extensive System	Semi-Intensive System	Intensive System
Module Dimensions	Depth	2.75 in. (6.99 cm)	4.0 in. (10.16 cm)	6.0 in. (15.24 cm)	8.0 in. (29.32 cm)
	Width	24 in. (61 cm) outside dimension \pm 1/8 in.			
	Length	24 in. (61 cm) outside dimension \pm 1/8 in.			
Saturated Weight Range	Min	10 lbs./ft ² (48.8 kg/m ²)	20 lbs./ft ² (97.7 kg/m ²)	25 lbs./ft ² (122.1 kg/m ²)	30 lbs./ft ² (141.6 kg/m ²)
	Max	15 lbs./ft ² (73.3 kg/m ²)	30 lbs./ft ² (141.6 kg/m ²)	45 lbs./ft ² (214.8 kg/m ²)	60 lbs./ft ² (293 kg/m ²)
Module Wall Thickness		100 mils	100 mils	110 mils	110 mils
Depth of Water Reserve		3/4 in. (1.91 cm)			
Average Water Retention		0.5 gal/ft ² (20.4 L/m ²)	0.9 gal/ft ² (36.7 L/m ²)	1.4 gal/ft ² (57 L/m ²)	2.0 gal/ft ² (81.5 L/m ²)
Drain Hole Size		1/4 in. (0.64 cm)			
Growing Medium		FLL-compliant extensive, semi-intensive, and intensive regional blends. Custom blends are available to meet specific project specifications.			
Vegetation		Varies by module depth and project location. Succulents and groundcovers are typical in all module depths. Ornamental grasses and perennials for 6-in and 8-in applications. Native and other custom plantings are also available.			
Required Underlayment		Carlisle 300HV Protection Fabric			

The weights and water retention values listed in this chart are averages using standard growing media. Conservative estimates for vegetation and module weight per square foot were used. Actual weights and water retention values may vary due to variations in regional media blends and the specific vegetation used. Contact Carlisle for project specific values.

EXPERIENCE THE CARLISLE DIFFERENCE



800-479-6832 | P.O. Box 7000 | Carlisle, PA 17013 | Fax: 717-245-7053 | www.carlisesyntec.com