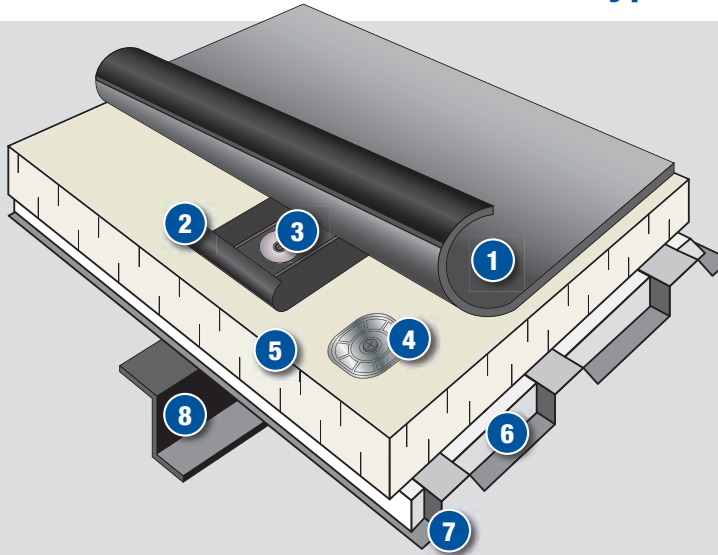


Sure-Seal® EPDM

Metal Retrofit Systems

Typical Mechanically Fastened Application



- 1 Reinforced Black EPDM Membrane
- 2 9"-Wide P.S. RUSS™
- 3 HP Purlin Fasteners and Polymer Seam Plates
- 4 HP Fasteners and Insulation Plates
- 5 Polyiso Insulation
- 6 Flute Fill Insulation
- 7 Existing Metal Roof
- 8 Structural Purlin

System Features & Benefits:

- » Retrofit option provides a long-term solution to metal roof problems
- » Membrane attached to structural steel purling
- » Retrofit systems reduce noise associated with metal roofs
- » Retrofit systems permit the addition of insulation to improve the energy efficiency of the structure
- » UL Class A, B and universal slope ratings are available

Warranty

Consult your Authorized Applicator or Carlisle manufacturer's Representative/Distributor for associated warranty charges.

This system, properly installed and inspected on a commercial project may receive:

- » A 10-, 15- or 20-year Golden Seal Total System Warranty may be requested when all materials used for the roofing installation are manufactured or marketed by Carlisle. A maximum peak gust wind speed coverage of 55 miles per hour is standard.
- » For more specifics or for International warranty programs, contact Carlisle.

Installation

Metal Retrofit Mechanically Attached Option

Carlisle insulation is used to fill between standing seams and a cover board or insulation board is installed and secured to the metal roof with Carlisle HP Fasteners and Insulation Plates. Carlisle manufactures a unique 9"-wide Pressure-Sensitive (P.S.) RUSS strip with two 3" strips of SecurTAPE™ on either side for proper wind-uplift resistance. RUSS is attached to the purlins with Carlisle HP Purlin Fasteners and Polymer Seam Plates. Membrane securement is achieved by attaching Sure-Tough EPDM to the P.S. RUSS strips that are fastened into the structural purlins. Adjoining membrane sheets are spliced together using Carlisle's SecurTAPE or Factory-Applied Tape™.

Membrane and System Strengths

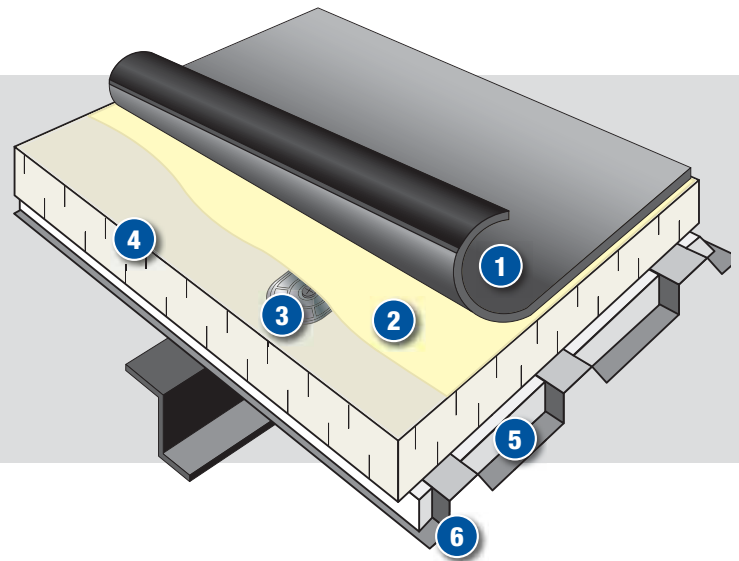
- » Systems install quickly and easily over failing metal roofs
- » HP Purlin fasteners anchor into structural purlins (the strongest point of the roof)
- » Metal retrofit systems cost less than complete metal roof replacement systems and enhance the appearance of the building
- » Carlisle's Sure-Tough Reinforced EPDM membrane is durable and provides puncture and tear resistance in 45-, 60-, or 75-mil thickness

Sure-Seal® EPDM

Metal Retrofit Systems

Typical Fully Adhered Application

- 1 Carlisle EPDM Membrane
- 2 Carlisle Bonding Adhesive
- 3 Carlisle HP-X Fasteners and Plates
- 4 Polyiso or Acceptable Insulation
- 5 Flute Fill Insulation
- 6 Existing Metal Roof

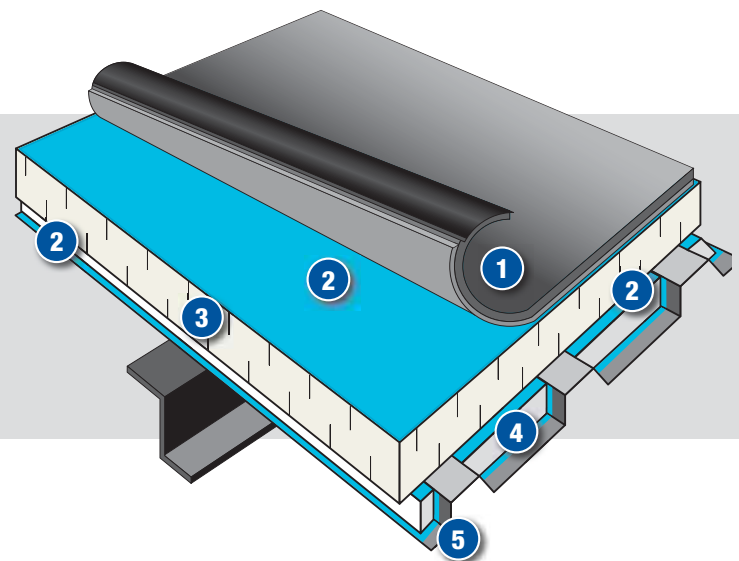


System Features & Benefits:

- » Eliminates sheet flutter
- » Full 60- or 90-mils of weathering
- » Available in black or white EPDM

Typical Non-Penetrating FleeceBACK® Application

- 1 Carlisle FleeceBACK EPDM Membrane
- 2 Carlisle Flexible FAST Adhesive
- 3 Polyiso or Acceptable Insulation
- 4 Flute Fill Insulation
- 5 Existing Metal Roof



System Features & Benefits:

- » Available in black or white EPDM in 100-, 115-, or 145-mil thicknesses
- » Highest level of puncture, tear and hail resistance
- » Eliminates thermal bridging of fasteners