



Expanding Your Solutions

**Corporate Headquarters**  
13191 Crossroads Pkwy N., Ste 325  
City of Industry, CA 91746  
Phone: 800.775.2362  
Fax: 626.330.7598

**Manufacturing Facilities**  
City of Industry, CA  
Denver, CO  
Ft. Worth, TX  
Pittsburg, CA

**Structural Engineering/Design**  
1001-A Pittsburgh Antioch Hwy  
Pittsburg, CA 94565  
Phone: 800.775.2362  
Fax: 626.330.7598

**Technical Services**  
13191 Crossroads Pkwy N., Ste 325  
City of Industry, CA 91746  
Phone: 800.416.2278  
Fax: 626.249.5004

## ANGLE – 1-1/2" x 1-1/2" x 18 mil.

### Geometric Properties

1-1/2" x 1-1/2" 18-mil Angle is fabricated from hot-dipped galvanized steel in standard G40 coating. G60 and G90 coatings are available upon special request and may require extended lead time and up-charges.

### Properties: 1-1/2" x 1-1/2" x 18 mil.

Product Code	Thickness (T)		Yield (ksi)	X (in)	Y (in)
	Design Thickness (in)	Minimum Thickness (in)			
25A112112	0.0188	0.0179	33	1-1/2	1-1/2

#### Notes:

1. Uncoated steel thickness. Thickness is for carbon sheet steel.
2. Minimum thickness represents 95% of the design thickness and is the minimum acceptable thickness.

### Color Code (painted on ends):

18-mil: None

### ASTM & Code Standards:

- ASTM A653/653M, A924/A924M, A1003/A1003M, C754, C954
- IBC: 2015, 2018, 2021
- CBC: 2016, 2019, 2022
- AISI: S100, S220

### LEED v4.1 – BD & C: Building Design and Construction – Materials and Resources

#### Building Life Cycle Impact Reduction (up to 4 points)

- Option 3: Building and Material Reuse
- 2 points for 25% reuse, 3 points for 50% reuse, 4 points for 75% reuse

#### Building Product Disclosure and Optimization – Environmental Product Declarations (up to 2 points)

- Option 1: Environmental Product Declaration (EPD)
- Option 2: Industry-wide EPD for cold-formed steel

#### Building Product Disclosure and Optimization – Sourcing of Raw Materials (up to 2 points)

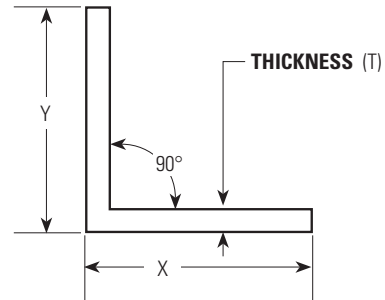
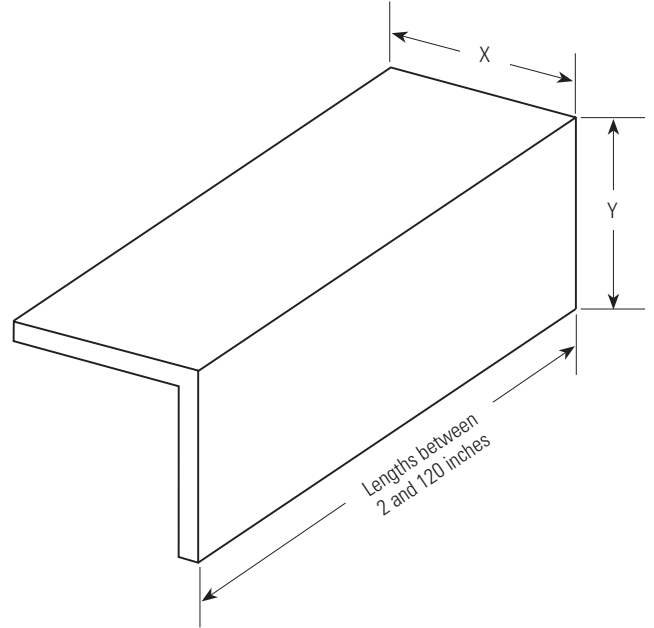
- Option 1: Leadership Extraction Practices
- Option 2: Points based on recycled content of CFS products
- Construction and Demolition Waste Management (up to 2 points)
- 1 point for 50% waste diversion, 2 points for 75% waste diversion

### CEMCO Cold-Formed Steel Framing Products Contain 30% to 37% Recycled Steel

- Total Recycled Content: 36.9%, Post-Consumer: 19.8%, Pre-Consumer: 14.4%

### Can Be Used In:

- Framing Connections
- Corner Intersections
- Half-track Connections
- Truss Uplift



### Technical Services

Technical Services: 800.416.2278  
Structural Engineering/Design: 925.473.9340  
www.cemcosteel.com



This technical information reflects the most current information available and supersedes any and all previous publications effective January 09, 2025.

01-09-2025 AT