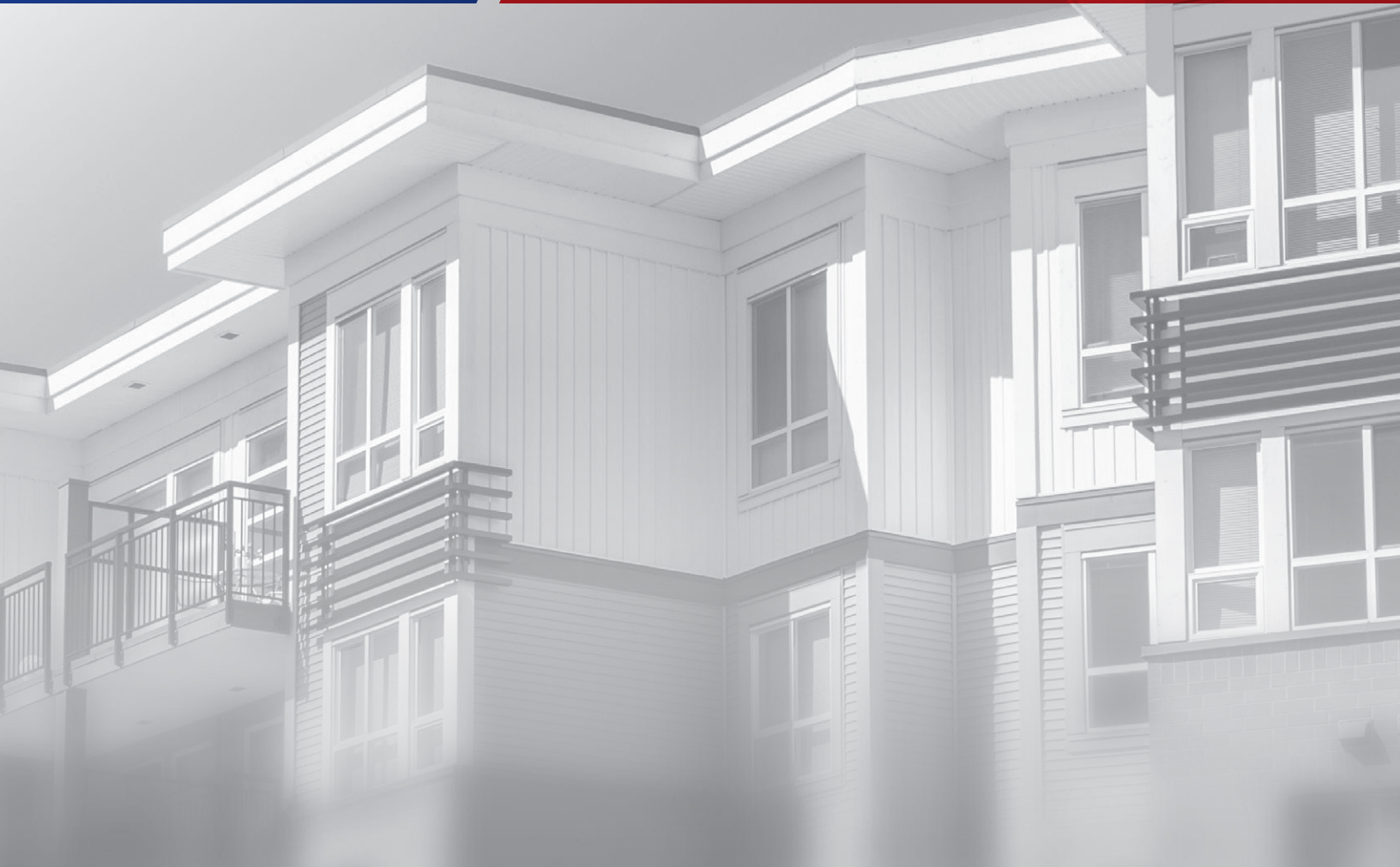




Expanding Your Solutions



# Metal Lath and Water Management Products

## CEMCO Metal Lath is Listed in ICC ESR-1623

### Code Information:

- 2021, 2018 and 2015 IBC/IRC
- 2022 and 2019 CBC/CRC

## CEMCO Metal Lath and Accessories are in Compliance with the Following ASTMs

- **ASTM A1003** Standard Specification for Steel Sheet, Carbon, Metallic- and Nonmetallic Coated for Cold-Formed Framing Members
- **ASTM A653/A653M** Standard Specification for Steel Sheet, Zinc-Coated (Galvanized) or Zinc-Iron Alloy-Coated (Galvannealed) by the Hot-Dip Process
- **ASTM A924/A924M** Standard Specification for General Requirements for Steel Sheet, Metallic-Coated by the Hot-Dip Process

## Metal Lath

- **ASTM C847** Standard Specification for Metal Lath
- **ASTM C1063** Standard Specification for Installation of Lathing and Furring to Receive Interior and Exterior Portland Cement-Based Plaster
- **ASTM C841** Standard Specification for Installation of Interior Lathing and Furring

## Control Joints, Bead and Accessories

- **ASTM C840** Standard Specification for Application and Finishing of Gypsum Board
- **ASTM C1047** Standard Specification for Accessories for Gypsum Wallboard and Gypsum Veneer Base

## Welded Wire Lath

- **ASTM C933** Standard Specification for Welded Wire Lath

## LEED® v4 Information

### LEED® V4 MR Credit:

- Building Product Disclosure and Optimization: EPD (up to 2 points)
- Sourcing of Raw Materials (1 point)
- Material Ingredients (1 point)
- Construction and Demolition Waste Management (up to 2 points)
- Innovation Credit (up to 2 points)

## Recycled Content

- Total Recycled Content: 36.9%
- Post Consumer Content: 19.8%
- Pre Consumer (Post Industrial) Content: 14.4%

## California's Proposition 65 Warning

California's Safe Drinking Water and Toxic Enforcement Act of 1986 – commonly referred to as Proposition 65 ("Prop 65") (27 Cal. Code Reg. § 25600, et seq.) – has recently changed, requiring manufacturers to provide a warning based on its knowledge about the presence of one or more of the almost 900 listed chemicals which are known to the State of California to cause cancer and birth defects, or other reproductive harm. With a few exceptions, manufacturers operating in the state of California as well as those entities who distribute, import, package, and/or supply products into the State of California are now required provide a "clear and reasonable" warning to consumers that their products may contain one or more of these listed chemicals or compounds. The complete list is available at [www.P65Warnings.ca.gov](http://www.P65Warnings.ca.gov).

In compliance with the new requirements, we are notifying each of our customers that CEMCO products contain Nickel (metallic) and/or other chemicals listed which are known to the State of California to cause cancer and birth defects or other reproductive harm. Safety data sheets from our major suppliers are available from CEMCO on our website at [www.cemcosteel.com](http://www.cemcosteel.com).

### Metal Lath Products

Expanded Metal Lath .....	4
Expanded Metal Lath w/ D-Paper .....	4
Self-Furring Dimpled Lath .....	4
Self-Furring Dimpled Lath w/ D-Paper .....	5
Self-Furring Grooved Lath .....	5
Self-Furring Grooved Lath w/ D-Paper .....	5
3/8" Hi-Rib .....	6
3/8" Hi-Rib w/ K-Paper .....	6

### Corner and Casing Beads, Screeds

1-A Cornerbead .....	7
2-A Cornerbead .....	7
Smooth Edge Cornerite .....	7
CEMCORNER .....	8
• CEMCORNER – Straight	
• CEMCORNER – Straight Arch	
• CEMCORNER – Short Flange	
• CEMCORNER – Bullnose	
• CEMCORNER – Bullnose Arch	
• CEMCORNER – Bullnose Short Flange	
Stripite .....	9
Patches .....	9
#66 Short Flange Casing .....	9
#66 Expanded Flange Casing .....	10
#7 Foundation Sill Screed .....	10
#36 Foundation Sill Screed .....	10
#34 Foundation Sill Screed .....	11
J-Metals .....	11

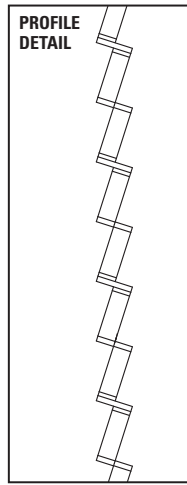
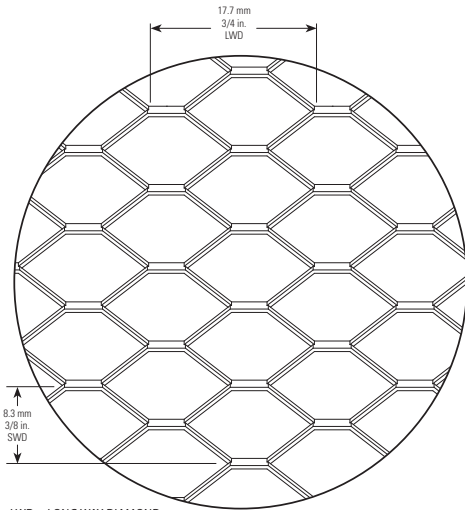
### Control and Expansion Joints

Double "J" (#XJ-15) Control Joint .....	12
Double "V" (#15) Control Joint .....	12
#30 Corner Control Joint .....	13
#093 Zinc Control Joint .....	13
#093X Fire-Rated Control Joint .....	14

### Water Management Products

#3 Flashing Screed .....	15
#6 Head Drip Screed .....	15
#7 Extended Foundation Screed .....	15
#9 Horizontal Control Joint .....	16
#12 Soffit Drip Edge .....	16
#15 Solid Leg Control Joint .....	16
J-Series Casing Bead .....	17
M-Slide Expansion Joint .....	17

## EXPANDED METAL LATH

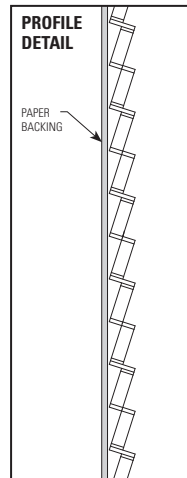
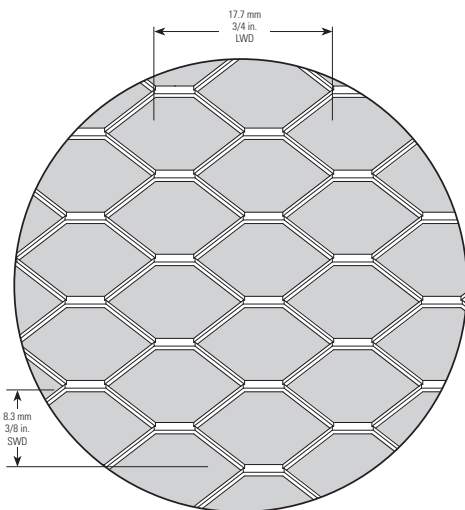


CEMCO's Diamond Metal Lath is a versatile base for cement plaster walls. Its carefully formed diamond keys allow for proper embedment and keying of the scratch coat on all types of walls. Can be used with hand and machine applied plaster. All CEMCO expanded metal lath is produced from standard G60 hot-dipped galvanized steel. G90 is available upon special request. 50 Bndls per Plt.

### PACKAGING

Weight per Square Yard (lb/yd <sup>2</sup> )	Minimum Thickness	Sheet Size	Pcs/Bndl	Yds/Plt
1.75	0.016"	27" x 97"	10	1000
2.5	0.0175"	27" x 97"	10	1000
3.4	0.0231"	27" x 97"	10	1000

## EXPANDED METAL LATH W/ D-PAPER

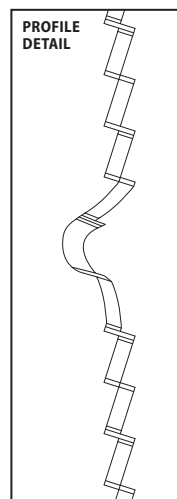
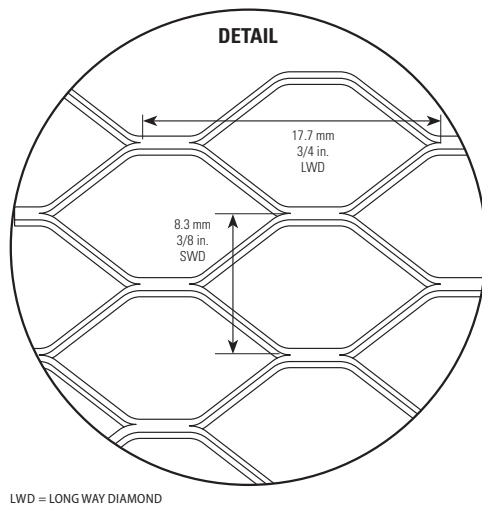


CEMCO's Diamond Metal Lath is available with Grade D asphalt paper backing. A saturated black asphalt paper complying with Federal Spec. No. UUB-790A Style 2 Grade D. Manufactured with a 3" lap for weathered application. All CEMCO expanded metal lath is produced from standard G60 hot-dipped galvanized steel. G90 is available upon special request. 25 Bndls per Plt.

### PACKAGING

Weight per Square Yard (lb/yd <sup>2</sup> )	Minimum Thickness	Sheet Size	Pcs / Bndl	Yds / Plt
1.75	0.016"	27" x 97"	10	500
2.5	0.0175"	27" x 97"	10	500
3.4	0.0231"	27" x 97"	10	500

## SELF-FURRING DIMPLED LATH

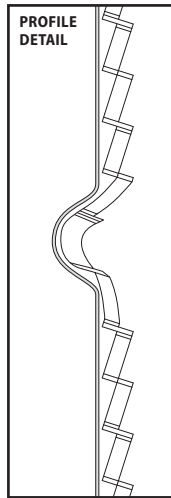
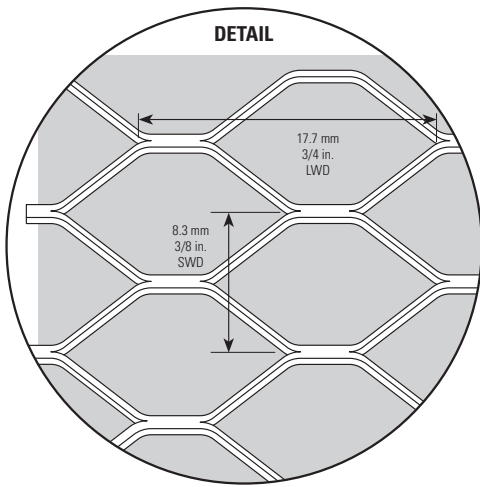


CEMCO's Self Furred Diamond Metal Lath "Dimpled" is manufactured with 1/4" dimples in the lath. The dimples provide the necessary minimum 1/4" furring off the sheathing's surface to allow for proper embedment and keying of the scratch coat on all types of walls. CEMCO Self-Furring Dimpled metal lath is produced from standard G60 hot-dipped galvanized steel. G90 is available upon special request. 50 Bndls per Plt.

### PACKAGING

Weight per Square Yard (lb/yd <sup>2</sup> )	Minimum Thickness	Sheet Size	Pcs / Bndl	Yds / Plt
1.75	0.016"	27" x 97"	10	500
2.5	0.0175"	27" x 97"	10	500
3.4	0.0231"	27" x 97"	10	500

## SELF-FURRING DIMPLED LATH W/ D-PAPER

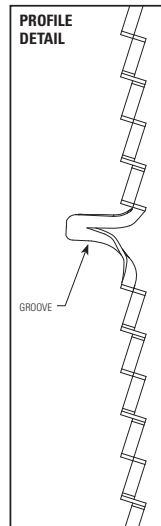
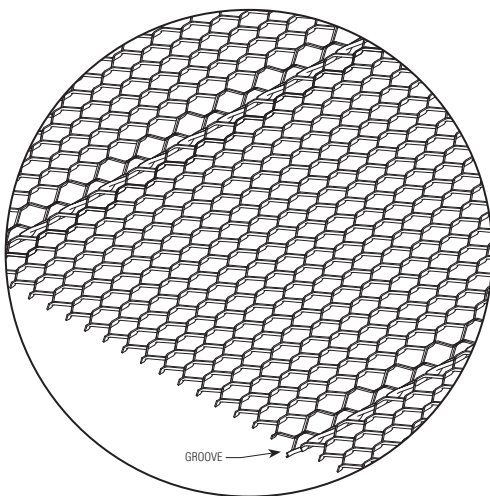


CEMCO's Self Furred Diamond Metal Lath "Dimpled" is available with Grade D asphalt paper backing. A saturated black asphalt paper complying with Federal Spec. No. UUB-790A Style 2 Grade D. Manufactured with a 3" lap for weathered application. CEMCO Self-Furring Dimpled with D-paper metal lath is produced from standard G60 hot-dipped galvanized steel. G90 is available upon special request. 25 Bndls per Plt.

### PACKAGING

Weight per Square Yard (lb/yd <sup>2</sup> )	Minimum Thickness	Sheet Size	Pcs/Bndl	Yds/Plt
1.75	0.016"	27" x 97"	10	500
2.5	0.0175"	27" x 97"	10	500
3.4	0.0231"	27" x 97"	10	500

## SELF-FURRING GROOVED LATH

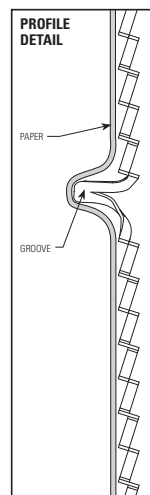
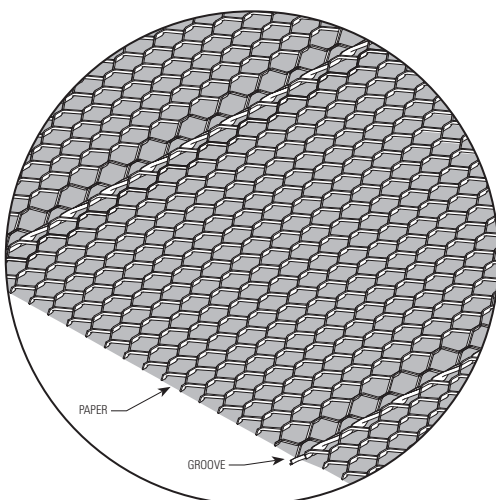


CEMCO's Self Furred Diamond Metal Lath "Grooved" is manufactured with 5 "V"-grooves in the lath in lieu of standard "dimples." These 5 grooves provide the necessary 1/4" furring off the sheathing's surface to allow for proper embedment and keying of the scratch coat on all types of walls. CEMCO Self-Furring Grooved metal lath is produced from standard G60 hot-dipped galvanized steel. G90 is available upon special request. 50 Bndls per Plt.

### PACKAGING

Weight per Square Yard (lb/yd <sup>2</sup> )	Minimum Thickness	Sheet Size	Pcs/Bndl	Yds/Plt
2.5	0.0175"	27" x 97"	10	500
3.4	0.0231"	27" x 97"	10	500

## SELF-FURRING GROOVED LATH W/ D-PAPER

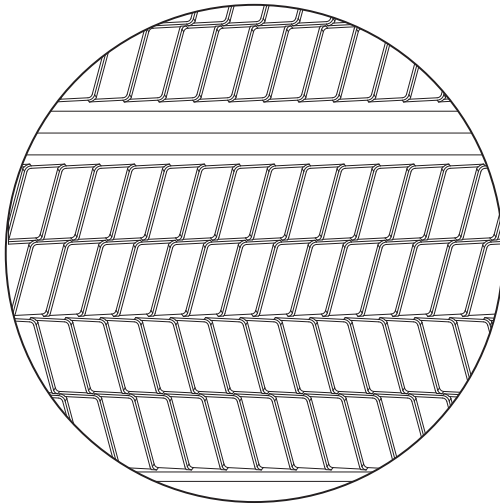


CEMCO's Self Furred Diamond Metal Lath "Grooved" is available with Grade D asphalt paper backing. A saturated black asphalt paper complying with Federal Spec. No. UUB-790A Style 2 Grade D. Manufactured with a 3" lap for weathered application. CEMCO Self-Furring Grooved w/ D-Paper metal lath is produced from standard G60 hot-dipped galvanized steel. G90 is available upon special request. 25 Bndls per Plt.

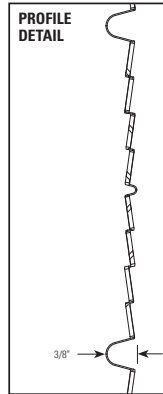
### PACKAGING

Weight per Square Yard (lb/yd <sup>2</sup> )	Minimum Thickness	Sheet Size	Pcs/Bndl	Yds/Plt
2.5	0.0175"	27" x 97"	10	500
3.4	0.0231"	27" x 97"	10	500

## 3/8" HI-RIB



TOP DETAIL

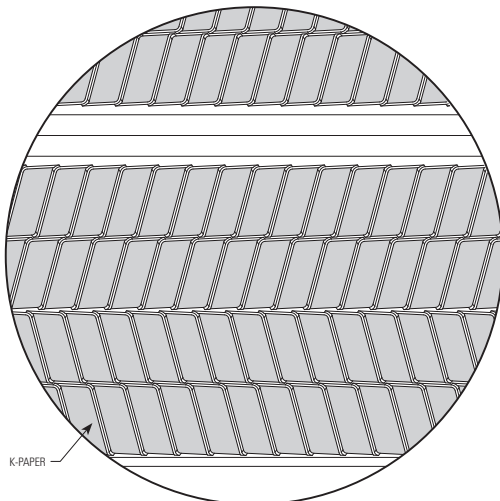


CEMCO's 3/8" Hi-Rib Lath is the most rigid of all metal laths. With full 3/8" ribs longitudinally spaced at 4" apart between each 3/8" rib with a 1/8" rib. Hi-Rib lath is able to span up to 24" on center. This lath can be used in both vertical and horizontal applications. Please consult CEMCO's Technical Services for specifics. CEMCO 3/8" Hi Rib lath is fabricated from 0.015-inch-thick in standard G60 hot-dipped galvanized steel. G90 is available upon special request.

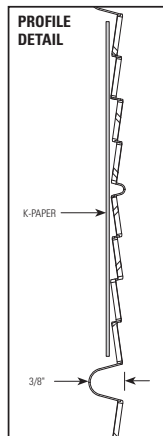
### PACKAGING

Sheet Size	Pcs/ Bndl	Yds/ Bndl	Yds/ Plt	Bndl/ Plt
27" x 97"	10	20	1000	50

## 3/8" HI-RIB W/ K-PAPER



TOP DETAIL

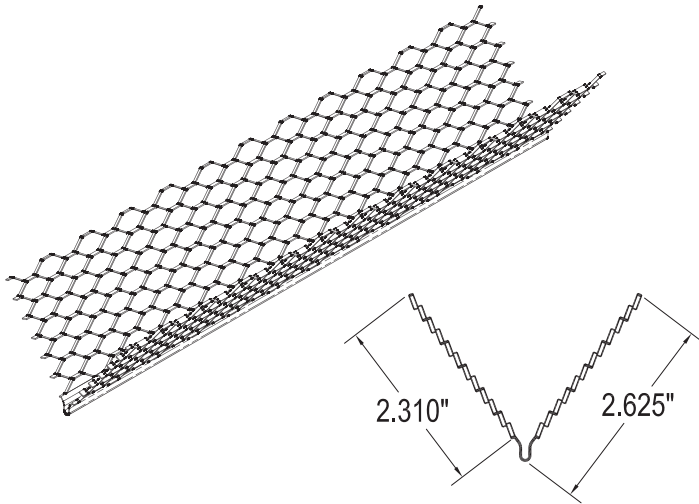


CEMCO's 3/8" Hi-Rib Lath is available with 3" strips of K-Paper attached to the spaces between the 3/8" ribs to minimize blow through of plaster when machine applied. This lath can be used in both vertical and horizontal applications. CEMCO 3/8" Hi-Rib w/ K-Paper is fabricated from 0.015-inch-thick in standard G60 hot-dipped galvanized steel. G90 is available upon special request.

### PACKAGING

Sheet Size	Pcs/ Bndl	Yds/ Bndl	Yds/ Plt	Bndl/ Plt
27" x 97"	10	20	1000	50

## 1-A CORNERBEAD

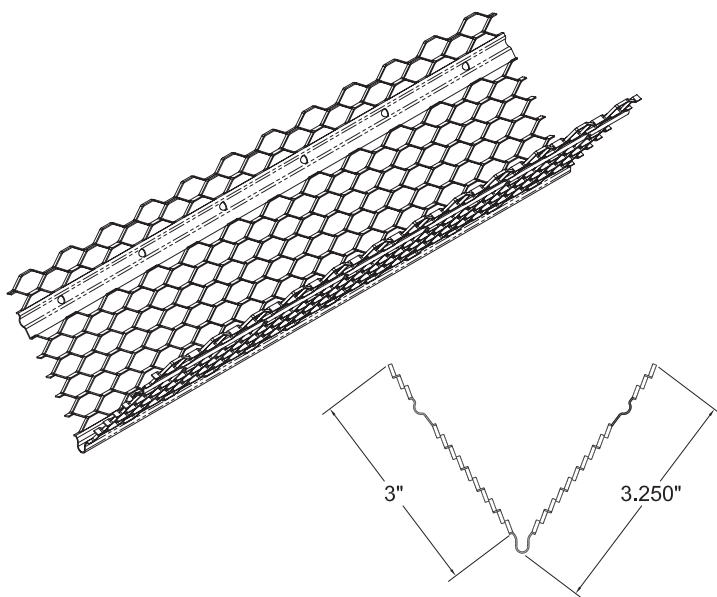


1-A Expanded Cornerbead is manufactured with 2-5/8" expanded metal flanges and a solid metal nose to provide for clean and sharp corners even over slightly irregular surfaces. CEMCO's No. 1-A Expanded Metal Cornerbead is manufactured by Niles and distributed by CEMCO. No. 1-A Cornerbead is fabricated from 26 Gauge galvanized steel with G60 coating. G90 coating is available upon request.

### PACKAGING

Size (Length)	Pcs/Ctn	Ft/Ctn	Wt/Ctn	Ctn/Plt
7'	30	210'	50 lbs.	20
8'	30	240'	52 lbs.	20
9'	30	270'	54 lbs.	20
10'	30	300'	56 lbs.	20
12'	30	360'	62 lbs.	20

## 2-A CORNERBEAD

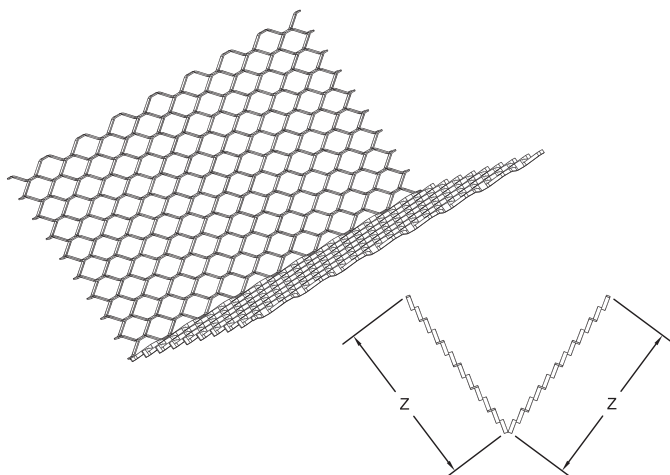


2-A Expanded Cornerbead is manufactured with extra long 3-1/4" flanges and a reinforced steel rib running the entire length of the piece to provide for extra rigidity when nailing to the corner. CEMCO's 2-A Cornerbead is manufactured by Niles Inc. No. 2-A Cornerbead is fabricated from 26 Gauge galvanized steel with G60 coating. G90 coating is available upon request.

### PACKAGING

Size (Length)	Pcs/Ctn	Ft/Ctn	Wt/Ctn	Ctn/Plt
7'	30	210'	53 lbs.	40
8'	30	240'	61 lbs.	40
9'	30	270'	69 lbs.	40
10'	30	300'	114 lbs.	40
12'	30	360'	137 lbs.	40

## SMOOTH EDGE CORNERITE

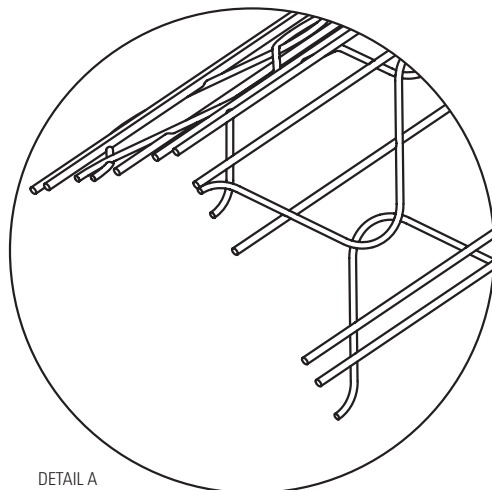
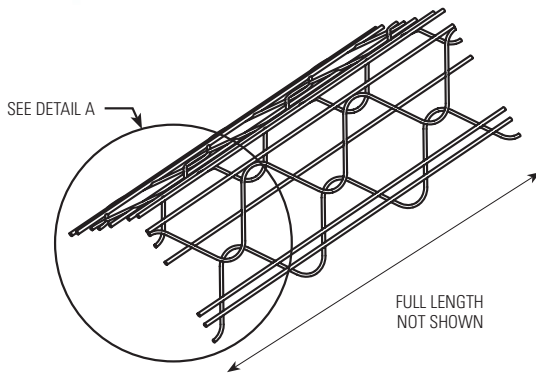
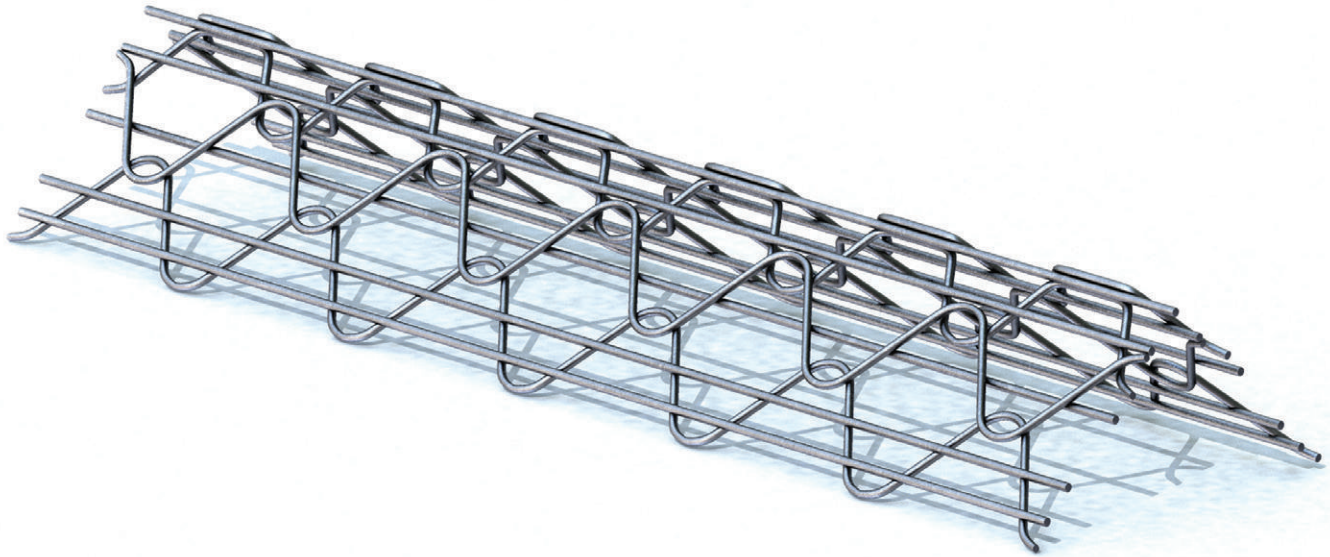


Cornerite is a smooth edge expanded metal lath corner reinforcement formed at a 105° angle to ensure a snug fit. This product also easily flattens for general patching. Cornerite is manufactured from steel meeting 0.016" thickness. Cornerite is manufactured from 1.75 expanded metal lath in standard G60 hot-dipped galvanized steel. G90 is available upon request.

### PACKAGING

Z Size	Length	Pcs/Ctn	Ft/Ctn	Wt/Ctn	Ctn/Plt
2" x 2"	4'	125	500'	70 lbs.	20
2" x 2"	8'	75	600'	70 lbs.	18
3" x 3"	4'	75	300'	105 lbs.	18
3" x 3"	8'	75	600'	105 lbs.	18

## CEMCORNER



CEMCORNER is used as an exterior corner reinforcement that has a nailing strip along both sides for faster installation and straighter corners. CEMCORNER was designed so that it is easier for Portland cement plaster to flow into the nose of the CEMCORNER. CEMCORNER is fabricated from 17.5 GA. [0.054 inch diameter] galvanized welded-wire. CEMCORNER is available in the following configurations:

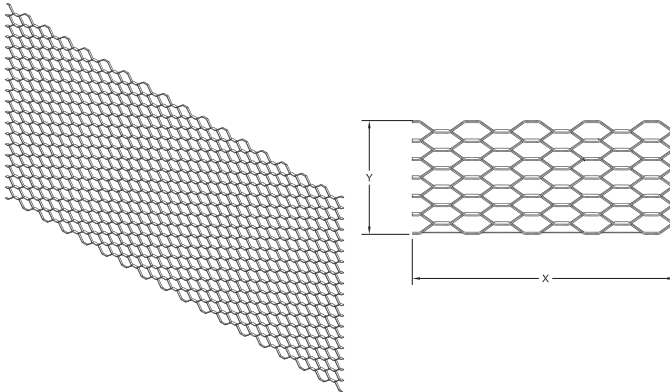
- Straight
- Straight Arch
- Straight Shortflange
- Bullnose
- Bullnose Arch
- Bullnose Shortflange

### PACKAGING

Product	Length (ft)	Ft/Ctn	Ctns/Plt
Straight	8'	320'	24
Straight	9'	360'	24
Straight	10'	400'	24
Straight Arch	10'	400'	24
Straight Shortflange	10'	400'	24
Bullnose	8'	320'	24
Bullnose	9'	360'	24
Bullnose	10'	400'	24
Bullnose Arch	10'	400'	24
Bullnose Shortflange	10'	400'	24



## STRIPITE

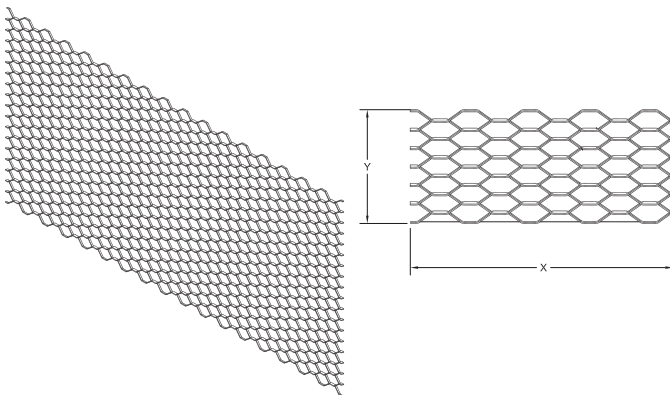


Stripite product is a general purpose expanded metal lath for plaster reinforcement. Stripite is a perfect addition to doors, windows, and other areas where cracking will most likely occur. Stripite is also used as a grout stop in cement block construction. Stripite is manufactured from 2.5 lath in standard G60 hot-dipped galvanized steel. G90 is available upon special request.

### PACKAGING

Size	Wt/Mlf (lbs)	Ft/Ctn	Ctn/Plt
4" x 96"	78	600	18
6" x 96"	115	600	18

## PATCHES

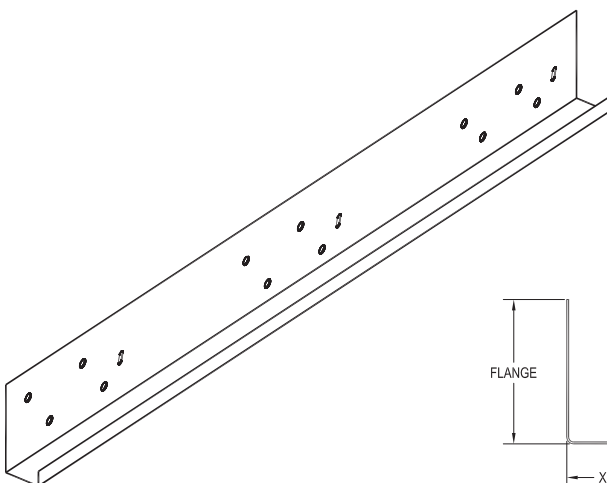


Patches are a recent development by CEMCO based on a timeless use of 2.5 diamond lath, but manufactured in strips or 'patches' to be used over door and window corners to greatly reduce cracking, by reinforcing stress areas. Patches can also be used as grout stop in masonry applications. Patches is manufactured in standard G60 hot-dipped galvanized steel. G90 is available upon special request.

### PACKAGING

Patch Size	Pcs/Ctn	Lineal Ft/Bndl
6" x 18"	200	300

## #66 SHORT-FLANGE CASING

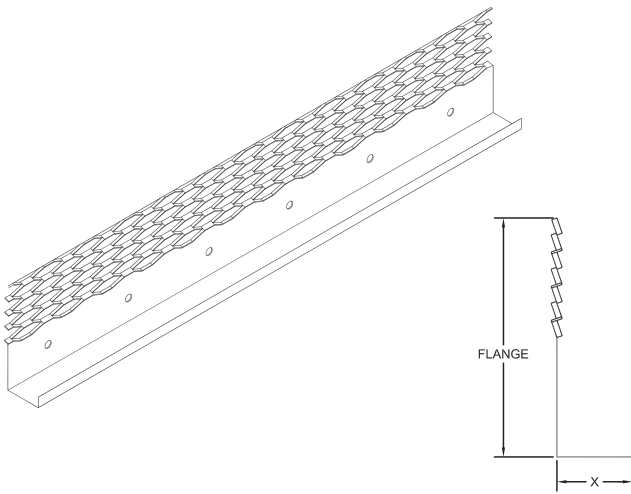


#66 Short-Flange Metal Casing Bead has a short 90-degree turn at the plaster surface for a clean and neat finish at the end of a wall or when adjoining dissimilar material. This product is manufactured with a slight arch in the 1-1/4" long nailing flange to ensure a tight fit. #66 is manufactured from 26 gauge standard G60 hot-dipped galvanized steel. G90 is available upon special request.

### PACKAGING

Size X	Pcs/Ctn	Length (ft)	Ft/Ctn	Wt/Ctn (lbs)	Ctns/Plt
3/8"	30	10'	300'	52	30
1/2"	30	10'	300'	59	30
3/4"	30	10'	300'	60	30
7/8"	30	10'	300'	62	30
1"	30	10'	300'	64	30
1-1/4"	30	10'	300'	68	30

## #66 EXPANDED-FLANGE CASING

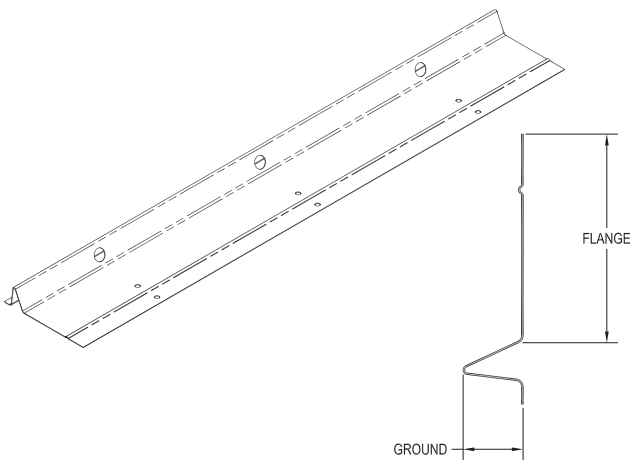


#66 Expanded-Flange Casing Bead formed to a 90° for applications at inside corners. Absorbs movement due to expansion and contraction of plastered walls. Provided with an expanded flange for proper keying and easy application. No.66 Expanded Flange Casing Bead is fabricated from 26 Gauge galvanized steel in standard G60. G90 coating is available upon request.

### PACKAGING

Size X	Flange Size (in)	Pcs/Ctn	Length (ft)	Ft/Ctn	Wt/Ctn (lbs)	Ctns/Plt
1/4"	2-5/8"	30	10'	300'	42	40
3/8"	2-5/8"	30	10'	300'	48	40
1/2"	2-5/8"	30	10'	300'	55	40
3/4"	2-5/8"	30	10'	300'	58	40
7/8"	2-5/8"	30	10'	300'	62	40
1"	2-5/8"	30	10'	300'	64	40
1-1/4"	2-5/8"	30	10'	300'	68	40

## #7 FOUNDATION SILL SCREED

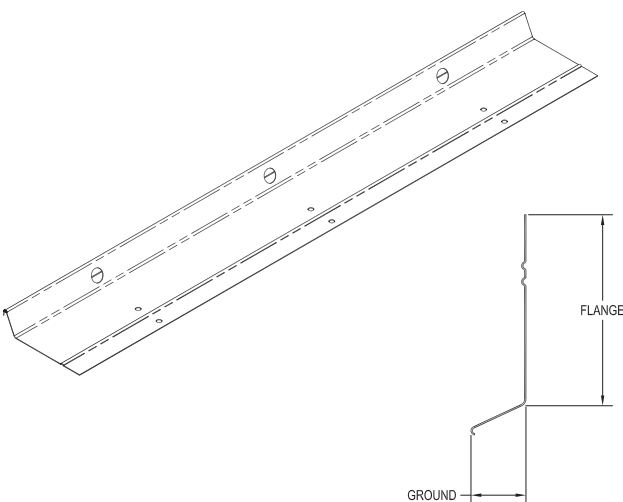


#7 Foundation Sill Screed is commonly known as FHA Screed due to its meeting of FHA requirements. Nails or stapled to the sill plate provides a straight line stucco stop. Manufactured with 1/2" holes, the sill screed allows for water and moisture to weep from the exterior plaster system and away from the structure. No. 7 sill screed is fabricated from 26 ga. G60 hot-dipped galvanized steel. G90 coating is available upon request.

### PACKAGING

Size	Ground (in)	Flange Size (in)	Length (ft)	Pcs/Bndl	Pcs/Plt
5-1/2"	1/2" 5/8" 3/4" 7/8"	3-1/2"	10'	10	1000
5-1/2"	1-3/8"	3-1/2"	10'	10	500

## #36 FOUNDATION SILL SCREED

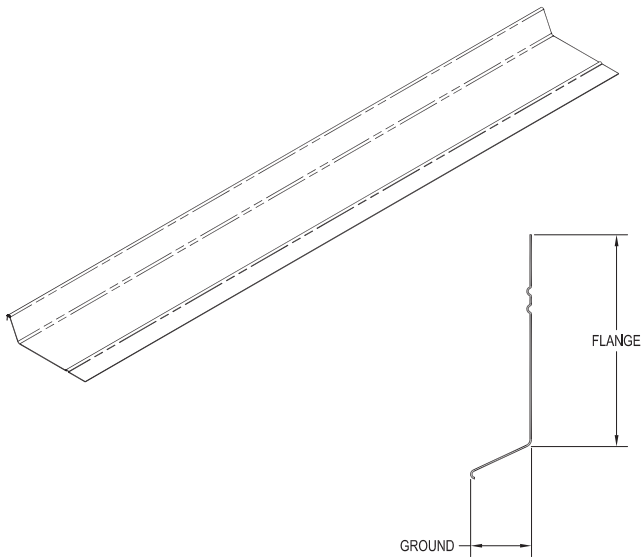


CEMCO's #36 Foundation Sill Screed is manufactured in 7/8" ground WITH 1/2" weep holes for drainage. The lack of a full-return on the bottom allowing for trowel access to clean access stucco material, leaving no visible metal below the stucco finish line. No. 36 sill screed is fabricated from 26 ga., G60 hot-dipped galvanized steel. G90 coating is available upon request.

### PACKAGING

Size	Ground (in)	Flange Size (in)	Length (ft)	Pcs/Bndl	Pcs/Plt
5-1/2"	7/8"	3-1/2"	10'	10	1000

## #34 FOUNDATION SILL SCREED

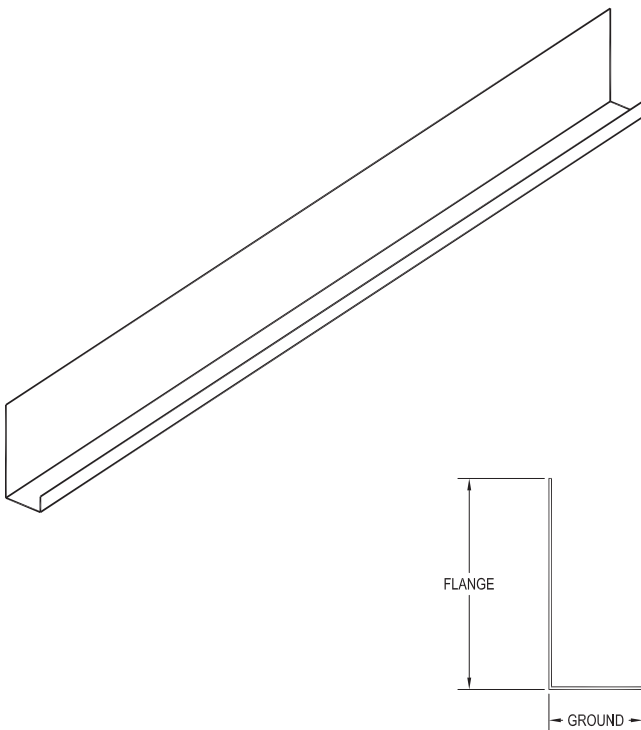


#34 Foundation Sill Screed is identical to CEMCO's #36 sill screed but without the 1/2" drainage holes. Offered in 7/8" ground, No. 34 sill screed is fabricated from 26 ga., G60 hot-dipped galvanized steel. G90 coating is available upon request.

### PACKAGING

Size	Ground (in)	Flange Size (in)	Length (ft)	Pcs/Bndl	Pcs/Pkt
5-1/2"	7/8"	3-1/2"	10'	10	1000

## J-METALS

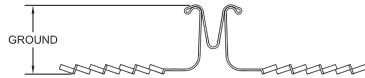
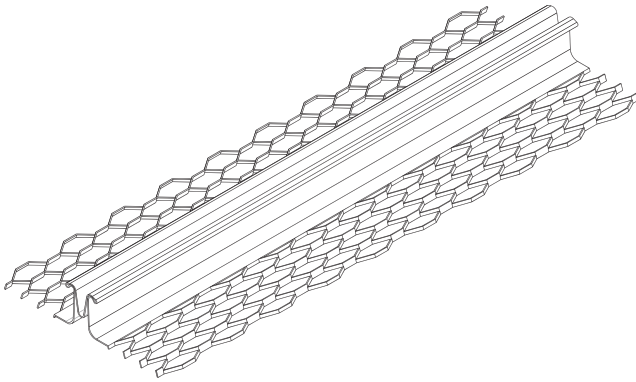


"J" Metal products are manufactured in various grounds (depths) to be used with a variety of polystyrene or foam insulation boards for exterior purposes. "J" Metal also provides for a workable screed around doors and windows. "J" Metal can also be ordered with holes and be used in some applications as a weep screed, and with a short flange (1-3/4") or long-flange (3-1/2"). CEMCO's J-Metal is fabricated from 26 ga., G60 hot-dipped galvanized steel. G90 coating is available upon request.

### PACKAGING

Gauge	Ground (in)	Flange Size (in)	Wt/Mlf (lbs)	Pcs/Bndl	Bndls/Pkt
26	7/8"	1-3/4"(SF)	<insert>	10	50
26	1-3/8"	1-3/4"(SF)	<insert>	10	50
26	7/8"	1-3/4"(SF)	<insert>		
26	3/8"	3-1/2"(LF)	<insert>	10	50
26	1/2"	3-1/2"(LF)	<insert>	10	50
26	3/4"	3-1/2"(LF)	<insert>	10	50
26	7/8"	3-1/2"(LF)	<insert>	10	50
26	1-3/8"	3-1/2"(LF)	<insert>	10	50
26	1-1/2"	3-1/2"(LF)	339	10	50

## DOUBLE "J" (#XJ-15) CONTROL JOINT

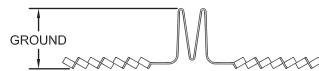
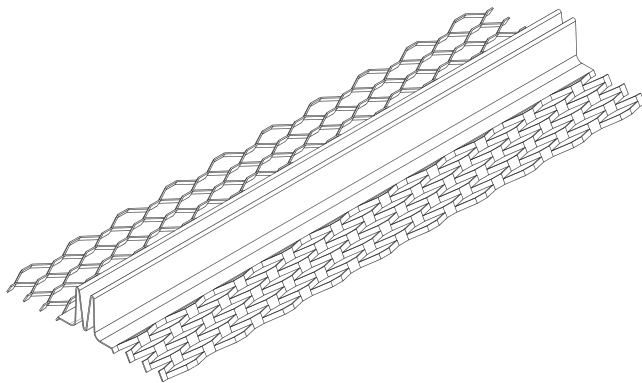


Double "J" (XJ-15) Control joint relieves stresses and strains in large plaster walls and ceilings. This product has expanded flanges for proper keying and easy application. Its unique design permits the plaster to key underneath the rolled edges for added adhesion while the walls expand and contract under typical conditions. The pull tape on the joint itself permits a clean finish when removed after the finish coat. CEMCO's Double "J" Control Joint is manufactured from 26 ga. G60 hot-dipped galvanized steel by Niles and distributed by CEMCO. G90 is also available upon special request.

### PACKAGING

Ground (Depth)	Pcs/Ctn	Length (ft)	Ft/Ctn (ft)	Wt/Ctn (lbs)	Ctns/Plt
1/2"	24	10'	240'	74	40
3/4"	24	10'	240'	80	40
7/8"	24	10'	240'	84	40

## DOUBLE "V" (#15) CONTROL JOINT

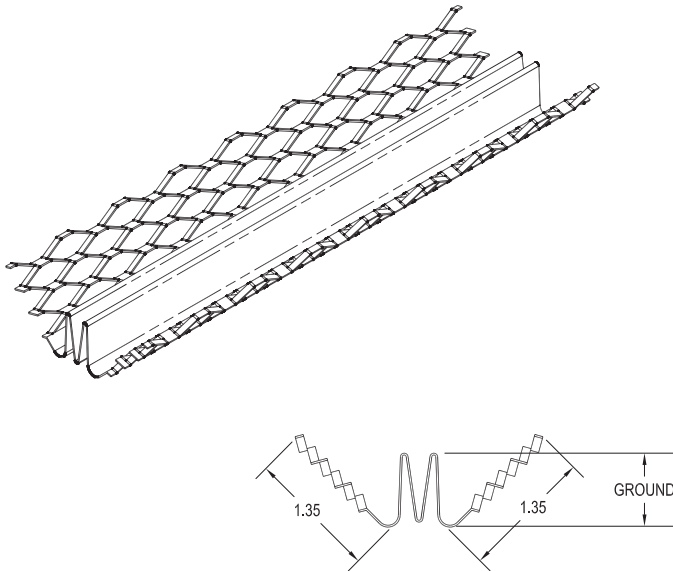


Double "V" (#15) Control joint relieves stresses and strains in large plaster walls and ceilings. This inconspicuous product provides a clean and neat joint in exterior applications. This product has expanded flanges for proper keying and easy application. CEMCO's Double "V" Control Joint is manufactured from 26 ga., G60 hot-dipped galvanized steel by Niles and distributed by CEMCO. G90 is also available upon special request.

### PACKAGING

Ground (Depth)	Pcs/Ctn	Length (ft)	Ft/Ctn (ft)	Wt/Ctn (lbs)	Ctns/Plt
1/4"	24	10	240'	45	42
3/8"	24	10	240'	48	42
1/2"	24	10'	240'	74	40
3/4"	24	10'	240'	80	40
7/8"	24	10'	240'	84	40

## #30 CORNER CONTROL JOINT

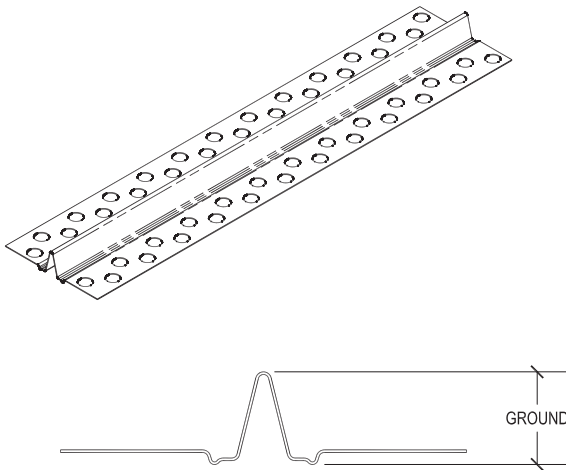


#30 corner expansion joint is a Double-V expansion joint formed to a 90° for applications at inside corners. Absorbs movement due to expansion and contraction of plastered walls. Provided with an expanded flange for proper keying and easy application. #30 is manufactured from 26 ga., G60 hot-dipped galvanized steel. G90 is also available upon special request.

### PACKAGING

Ground (Depth)	Pcs/Ctn	Length (ft)	Ft/Ctn (ft)	Wt/Ctn (lbs)	Ctns/Plt
1/2"	24	10'	240'	66	40
3/4"	24	10'	240'	74	40
7/8"	24	10'	240'	83	40
3/4"	24	10'	240'	80	40
7/8"	24	10'	240'	84	40

## #093 ZINC CONTROL JOINT

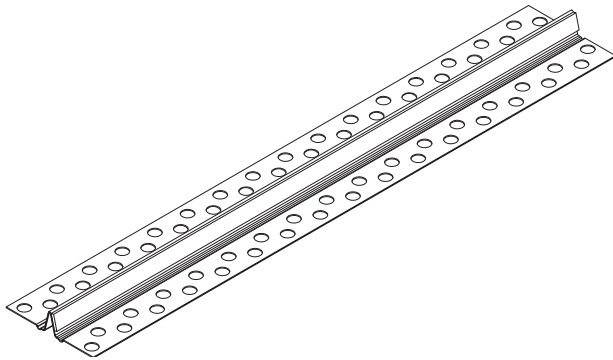


.093 true-zinc control joint is perfect for interior high-end plaster applications, allowing for controlled expansion of the ceiling or wall finish. Made from high quality 26 ga. zinc, and formed to exacting tolerances, the .093 bead has a tape protected expansion trough to provide for crisp and clean finishes in both plaster and veneer finishes. CEMCO's .093 control joint is manufactured by Niles and distributed by CEMCO.

### PACKAGING

Ground	Length (ft)	Pcs/Ctn	Ft/Ctn	Wt/Ctn (lbs)	Ctns/Plt
0.478"	10'	25	250'	66	40

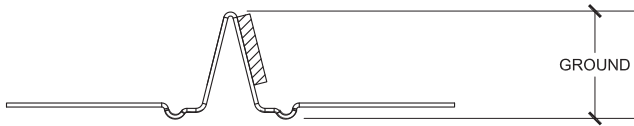
## #093X FIRE-RATED CONTROL JOINT



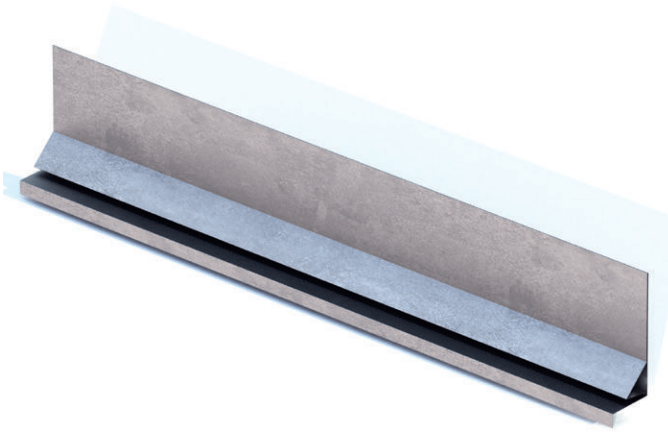
CEMCO's FAS-093X Fire Rated control joint is a composite control joint with intumescent tape factory applied to the back side of the control joint. The opening is protected by an orange plastic tape to indicate the fire rating. This tape is removed after joint compound has been applied and the finish is completed. The section is fabricated from standard G40 hot-dipped galvanized steel.

### PACKAGING

Ground	Length	Pcs/Ctn	Ft/Ctn	Wt/Ctn (lbs)	Ctns/Plt
0.478"	10'	20	200'	70	20



## #3 FLASHING SCREED

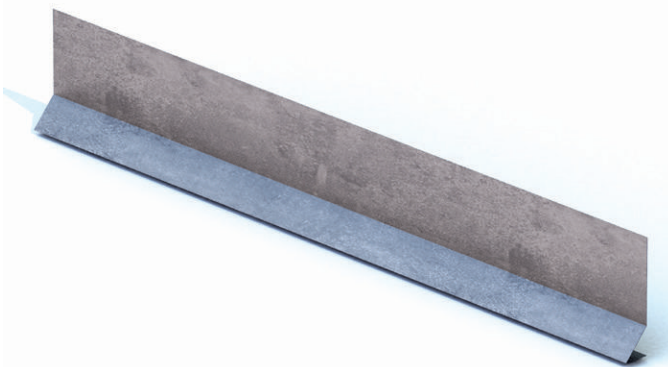


The #3 FLASHING SCREED is manufactured for applications above windows, doors and vents on exterior plaster walls. The #3 Flashing Screed consists of a combined single piece 45° weep screed, for drainage, an a Z flashing for window head protection. Available with or without weep holes. The #3 Flashing Screed is fabricated from minimum 0.018-inch thick hot-dipped galvanized steel having a minimum G-90 coating.

### PACKAGING

Size	Pcs/Bndl	Length (ft)	Ft/Bndl (ft)	Wt/Bndl (lbs)	Pcs/Plt
7/8"	10	10'	100'	70	250

## #6 HEAD DRIP SCREED

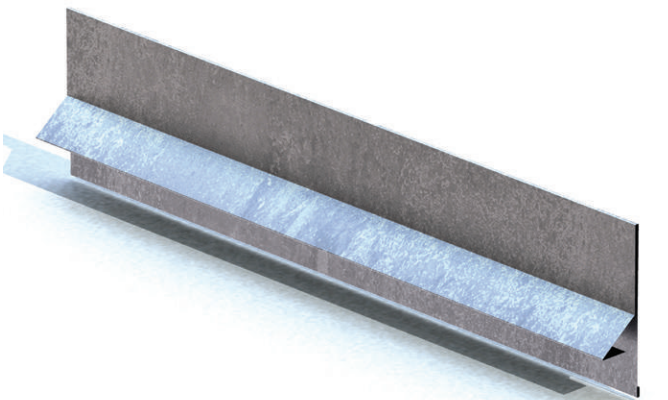


The #6 HEAD DRIP SCREED is manufactured for application above windows, doors, base of walls, and vents on exterior plaster walls. The 45° slope allows water to weep out of the assembly, and the 90° return provides a 3/4-inch solid metal leg for sealant application from stucco assembly to dissimilar materials. #6 Head/Foundation Drip Screed is fabricated from minimum 0.018-inch thick hot-dipped galvanized steel having a minimum G-90 coating.

### PACKAGING

Size	Pcs/Bndl	Length (ft)	Ft/Bndl (ft)	Wt/Bndl (lbs)	Pcs/Plt
3/4"	20	10'	200'	67	200
7/8"	20	10'	200'	69	200

## #7 EXTENDED FOUNDATION SCREED

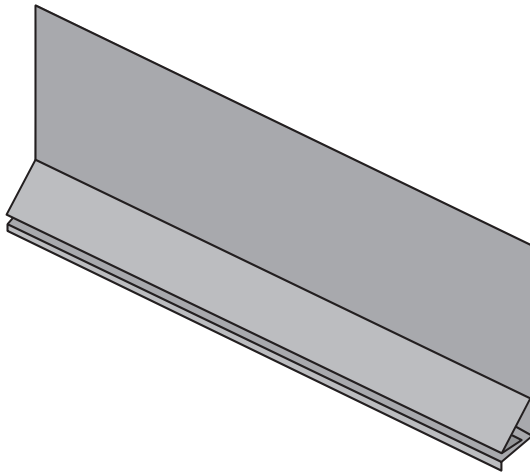


The #7 EXTENDED FOUNDATION SCREED provides an additional layer of 25 ga. G90 metal to protect waterproof deck membranes at the base wall from U.V. degradation. The #7 EXTENDED FOUNDATION SCREED is fabricated from minimum 0.018-inch thick hot-dipped galvanized steel having a minimum G-90 coating.

### PACKAGING

Size	Pcs/Bndl	Length (ft)	Ft/Bndl (ft)	Wt/Bndl (lbs)	Pcs/Plt
7/8"	10	10'	100'	76	250

## #9 HORIZONTAL CONTROL JOINT



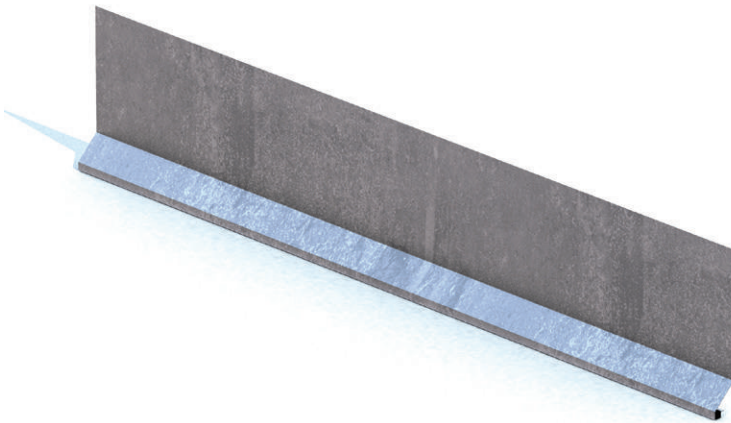
The #9 Horizontal Control Joint is manufactured for applications over dissimilar substrates. The 45° slope allows water to weep out of the assembly. The lower screed point allows the wall to stay in alignment while also providing stucco movement capabilities to prevent stucco from cracking between dissimilar substrates. The #9 Horizontal Control Joint is part of CEMCO's Water Management Product Line of Stucco Accessories fabricated from minimum 0.018-inch thick hot-dipped galvanized steel complying with ASTM A653 having a minimum G-90 coating complying with ASTM A925. Water tested per ASTM E1105.

\*Custom ground sizes available for (CI) Continuous Insulation stucco assemblies.

### PACKAGING

Size	Pcs/Bndl	Length (ft)	Ft/Bndl (ft)	Wt/Bndl (lbs)	Pcs/Plt
7/8"	10	10'	100'	74	250

## #12 SOFFIT DRIP EDGE

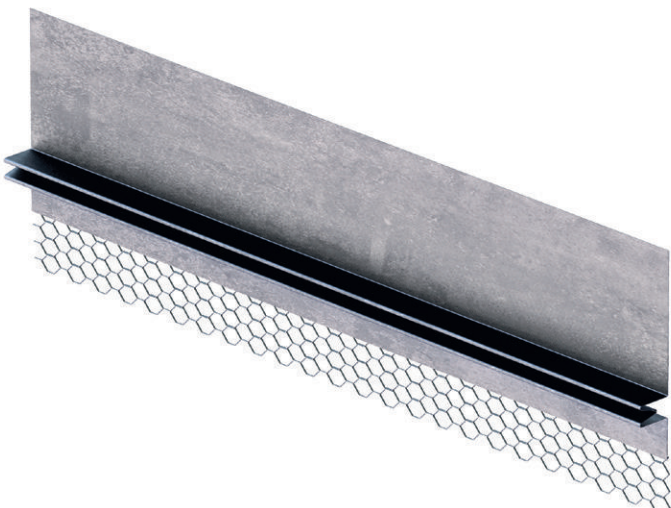


The #12 SOFFIT DRIP EDGE is manufactured for soffit and recessed windows head application. The 45° slope allows water to weep out of the assembly. The Drip edge provides a place for water to drip from rather than travel back along the soffit. The #12 SOFFIT DRIP EDGE fabricated from minimum 0.018-inch thick hot dipped galvanized steel having a minimum G-90 coating.

### PACKAGING

Size	Pcs/Bndl	Length (ft)	FT/Bndl (ft)	Wt/Bndl (lbs)	Pcs/Plt
3/4"	10	10'	100'	39	250
7/8"	10	10'	100'	40	250

## #15 SOLID LEG CONTROL JOINT



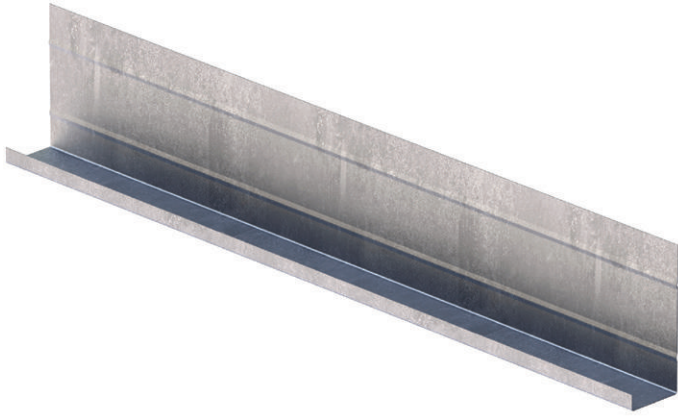
The #15 SOLID LEG CONTROL JOINT is manufactured for horizontal application on exterior plaster walls. The .30" gap in the V groove is designed to allow movement due to horizontal expansion and contraction of plastered walls. The 5" x 3/4" horizontal control joint has a 3" long upper solid flange that allows for water to weep out of the stucco cavity and a 1.5" long lower expanded metal flange that allows proper keying of plaster. The #15 Solid Leg Control Joint is fabricated from minimum 0.018-inch thick hot-dipped galvanized steel having a minimum G90 coating.

### PACKAGING

Size	Pcs/Ctn	Length (ft)	Ft/Ctn (ft)	Wt/Bndl (lbs)	Ctn/Plt
3/4"	15	10'	150'	73	40
7/8"	15	10'	150'	73	40



## J-SERIES CASING BEAD

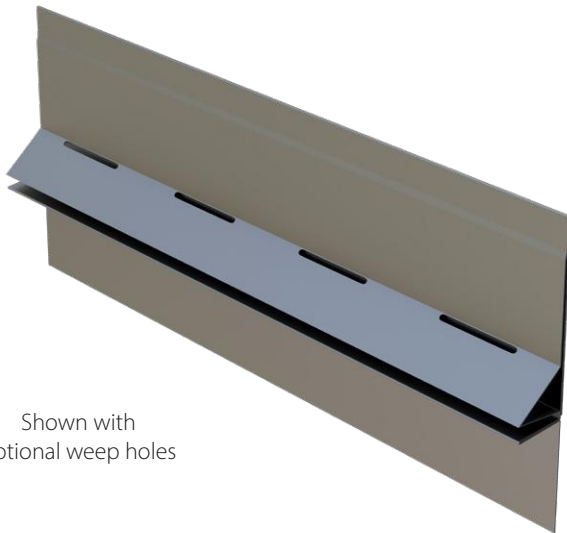


The J-SERIES CASING BEAD is manufactured non-perforated to enable the casing bead to have solid flashing capabilities. J-Series Casing Bead is fabricated from minimum 0.018-inch thick hot-dipped galvanized steel having a minimum G-90 coating.

### PACKAGING

J-Bead Flange Depth (A)	Ground Width (G)	Casing Bead Lip (F)	Pcs/ Bndl (ft)	Ft/ Bndl	Wt/ Bndl (lbs)	Pcs/ Plt
2-1/2"	3/4" & 7/8"	1/4" & 1/2"	10	100'	25 & 27	200
3-1/2"	3/4" & 7/8"	1/4"	10	100'	31 & 32	200

## M-SLIDE EXPANSION JOINT



Shown with optional weep holes

The M-SLIDE EXPANSION JOINT is manufactured for application where movement is anticipated. The self-aligning two-piece design allows for 1-inch vertical movement while maintaining a watertight assembly for plaster walls. M-Slide expansion joint is fabricated from minimum 0.018-inch thick hot-dipped galvanized steel having a minimum G-90 coating. Available with or without weep holes.

### PACKAGING

Size	Pcs/Ctn	Length (ft)	Ft/Ctn (ft)	Wt/Ctn (lbs)	Ctn/Plt
7/8"	10	10'	100'	97	18







# Expanding Your Solutions

## Corporate Headquarters

13191 Crossroads Parkway North, Suite 325, City of Industry, CA 91746

**P:** 800.775.2362 | **F:** 626.330.7598

## Southern California Manufacturing Facility

263 North Covina Lane, City of Industry, CA 91746

**P:** 800.775.2362 | **F:** 626.330.7598

## Northern California Manufacturing Facility

1001-A Pittsburg Antioch Hwy, Pittsburg, CA 94565

**P:** 925.473.9340 | **F:** 925.473.9341

## Denver Colorado Manufacturing Facility

490 Osage Street, Denver, CO 80204

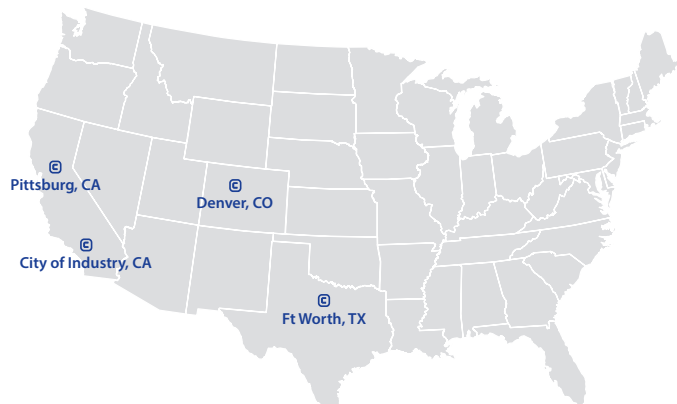
**P:** 303.572.3626 | **F:** 303.572.3627

## Fort Worth Texas Manufacturing Facility

8600 Will Rogers Blvd, Fort Worth, TX 76140

**P:** 817.568.1525 | **F:** 817.568.2759

[www.cemcosteel.com](http://www.cemcosteel.com)



Effective 06/07/2024