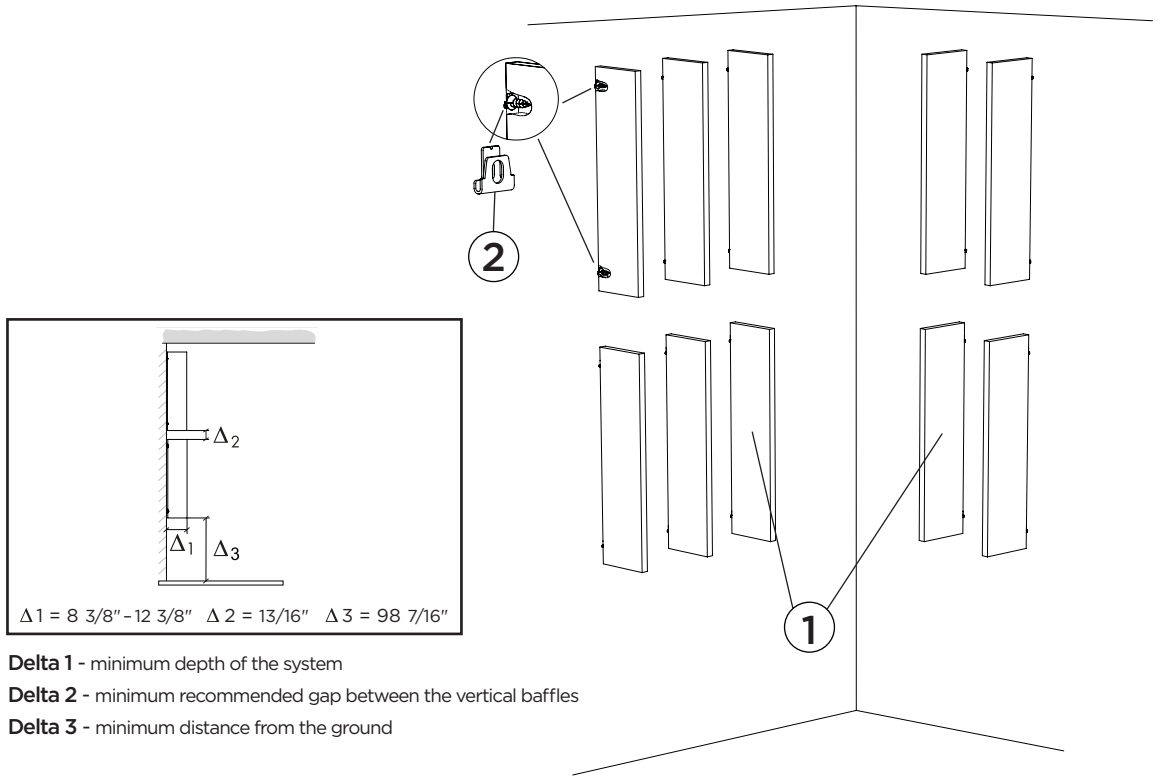


Ecophon® Solo™ Baffle on Wall

Installation Manual



$\Delta 1 = 8 \frac{3}{8}'' - 12 \frac{3}{8}''$ $\Delta 2 = 13/16''$ $\Delta 3 = 98 \frac{7}{16}''$

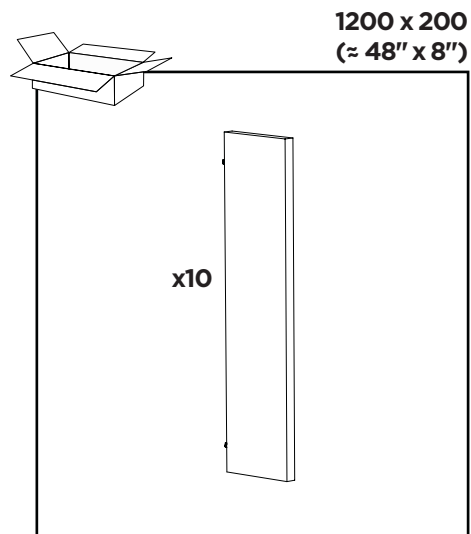
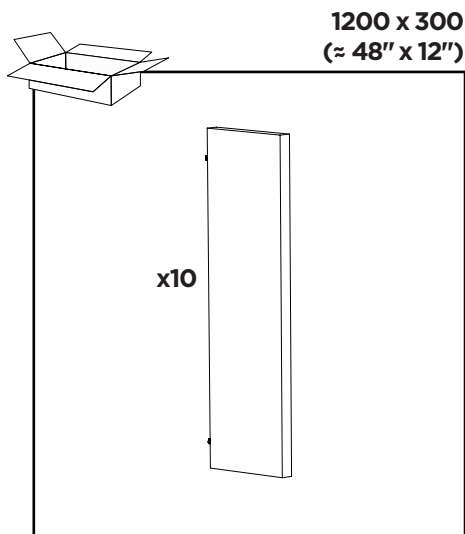
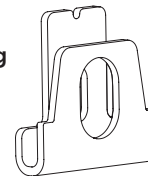
Delta 1 - minimum depth of the system

Delta 2 - minimum recommended gap between the vertical baffles

Delta 3 - minimum distance from the ground

1. Ecophon Solo Baffle Anchor
1200x300 (≈ 48" x 12"),
1200x200 (≈ 48" x 8")

2. Baffle Wall Fixing
2630 0047



Installation for Ecophon®Solo™ Baffle on Wall

Method of attachment to the structure of any accessory is provided by others.

