

# Ecophon® Solo™ Triangle

## Installation Manual

---

### DESIGN AND SPECIFICATIONS

#### Use of the Product

Ecophon Solo panels are a high performance sound absorber, capable of being used as the primary acoustic solution when a traditional acoustic ceiling is neither feasible nor aesthetically desirable. Ecophon Solo is a unique free-hanging unit offering a myriad of design possibilities which can be achieved through various color and suspension options.

#### Size Availability

Diameter: 1039mm x 1200mm (≈40.9375" x 47.25")  
Thickness: 40mm (≈1.5")

#### Surfaces

Ecophon Solo panels are manufactured from high-density fiberglass comprised of a high amount of recycled content [54% post-consumer]. The surface itself consists of the Akutex™ FT finish, which is highly light reflective [85%] and has exceptional light diffusion [+99%]. The Akutex™ FT finish covers both sides of the panel.

#### Accessibility

The panels are easily demountable.

#### Influence of Climate

Install in conditions that do not exceed 95% relative humidity and 86-degrees Fahrenheit (30°C).

#### Edge Detail

The panels have square edges that are fully painted.

#### Attachment

There is one method for attachment for the panels. This is the use of adjustable wire hangers for variable elevations.

#### Weight

The 1039mm x 1200mm x 40mm panels have an approximate weight of 5.5 lbs.

#### Handling

Use clean cotton gloves when handling product.

#### Cleaning

Daily dusting and vacuum cleaning. Weekly wet wiping.

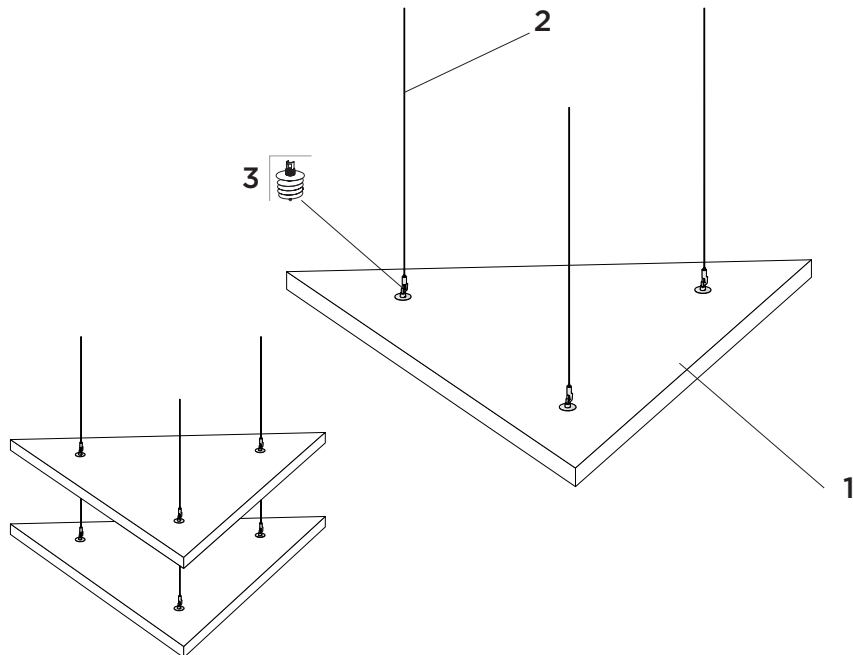
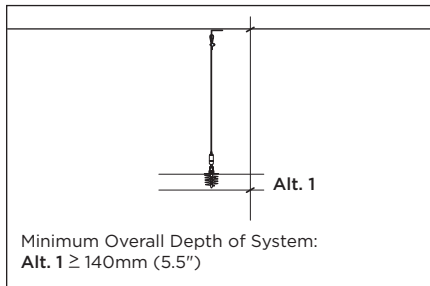
#### Fire Performance

Panels have been tested according to ASTM E84 (Flame Spread ≤ 25) and ASTM E1263 (Smoke Development ≤ 50).

# Installation for Ecophon® Solo™ Triangle Ceilings Panels

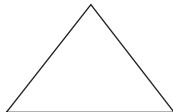
## 1039mm x 1200mm x 40mm (≈40.9375" x 47.25" x 1.5")

Read the entire manual before installing.



### 1. Ecophon Solo Triangle

3544 2425 EZC  
1039mm x 1200mm x 40mm  
(≈40.9375" x 47.25" x 1-1/2")



### 3. Connect Absorber Anchor

2647 2270 (4 pcs/carton)  
2647 2290 (24 pcs/carton)

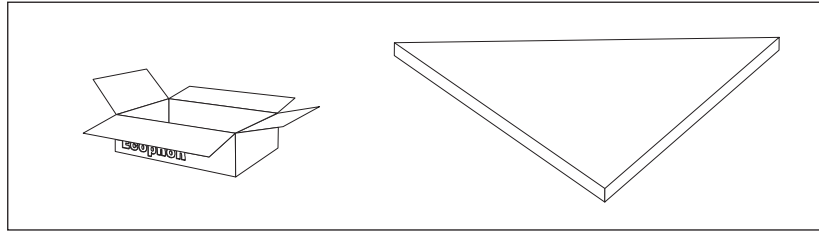


### 2. Connect Adjustable Wire Hanger

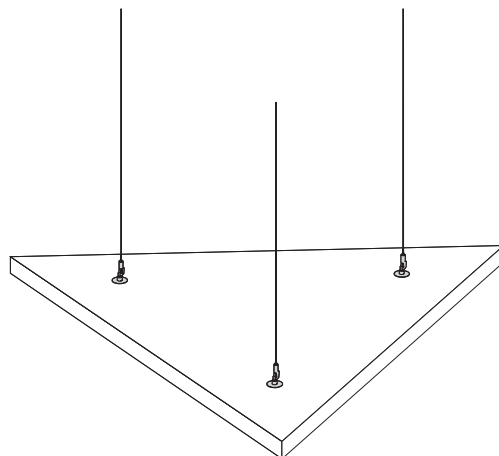
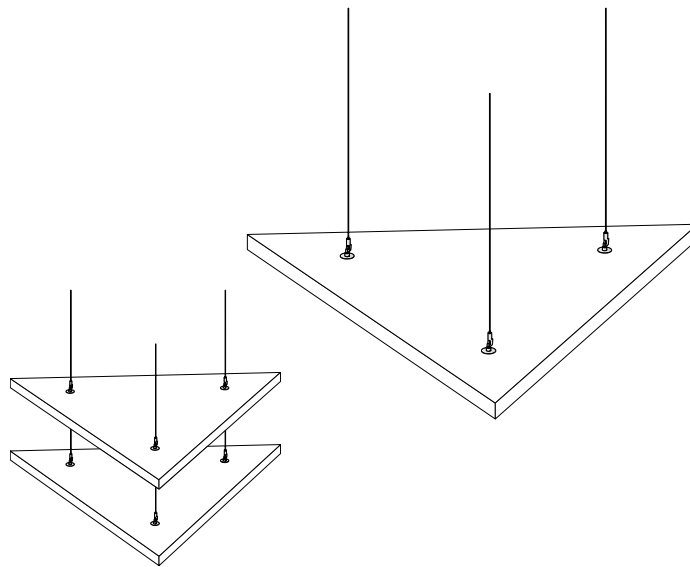
2647 4174 - 2000mm (≈6'-6")  
2647 4180 - 5000mm (≈16'-4")



# Installation for Ecophon® Solo™ Triangle Ceilings Panels 1039mm x 1200mm x 40mm (≈40.9375" x 47.25" x 1.5")



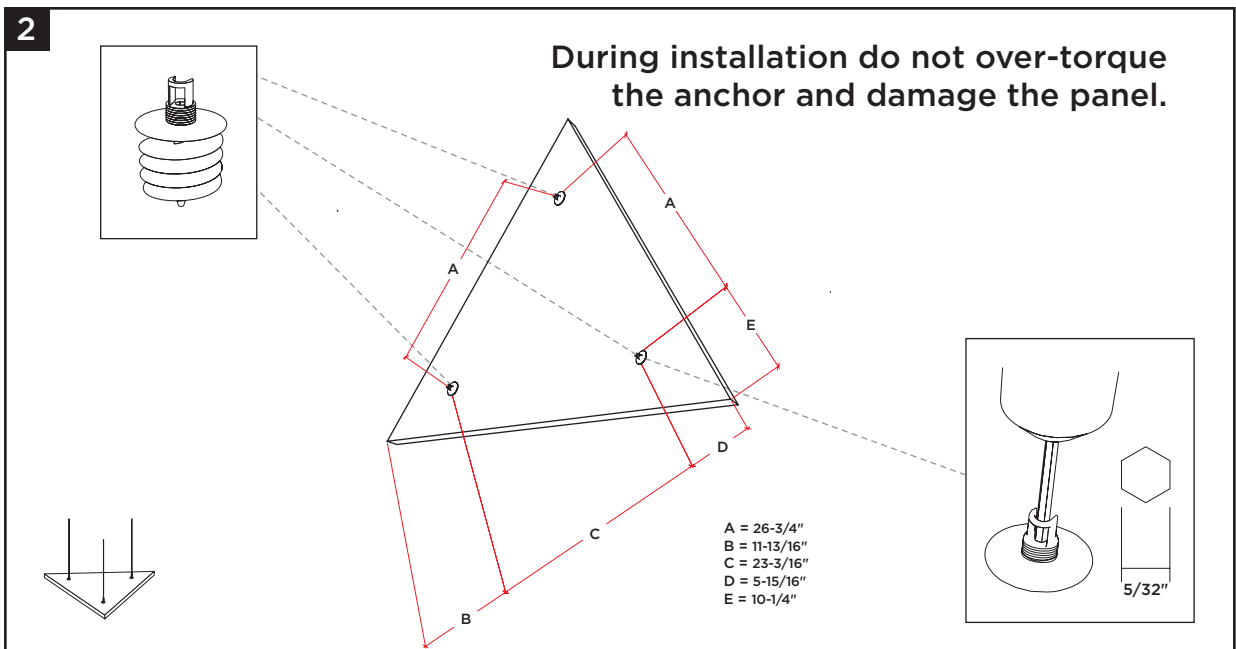
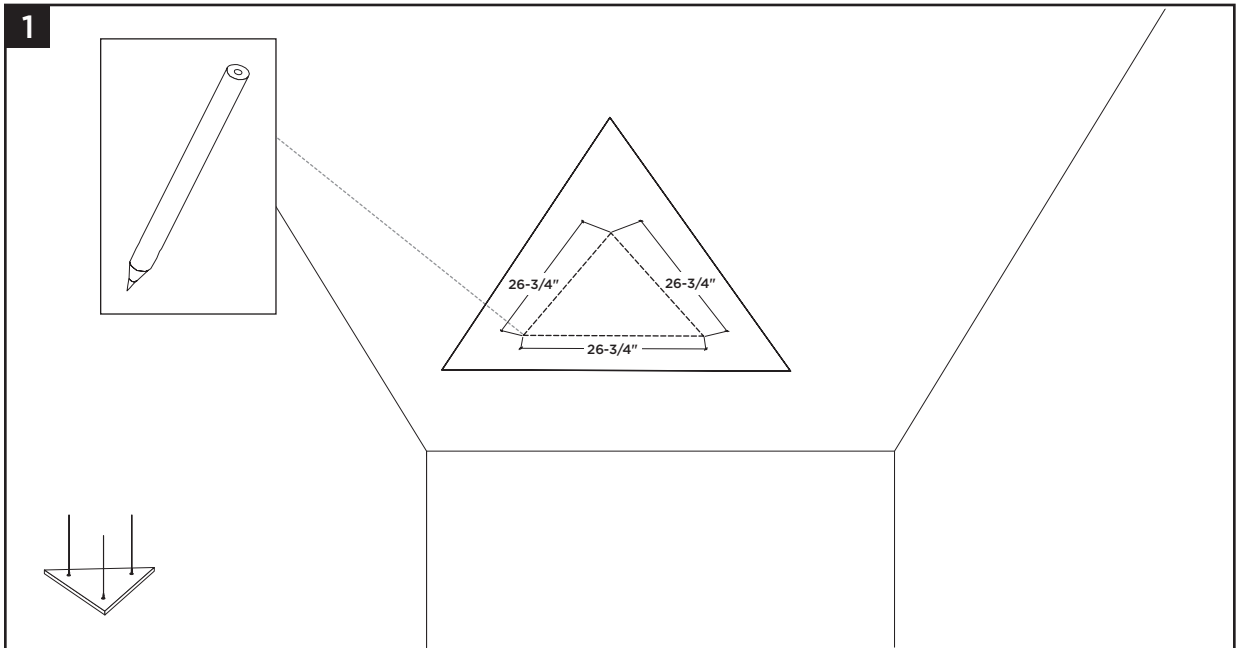
Step 1



8

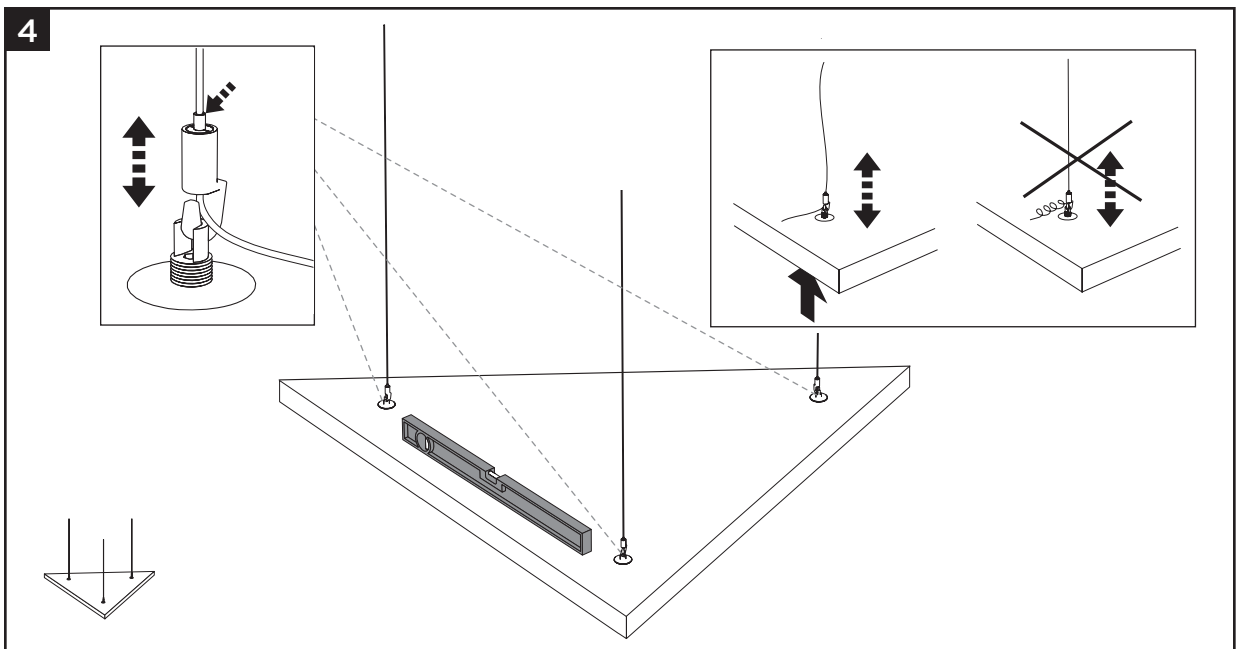
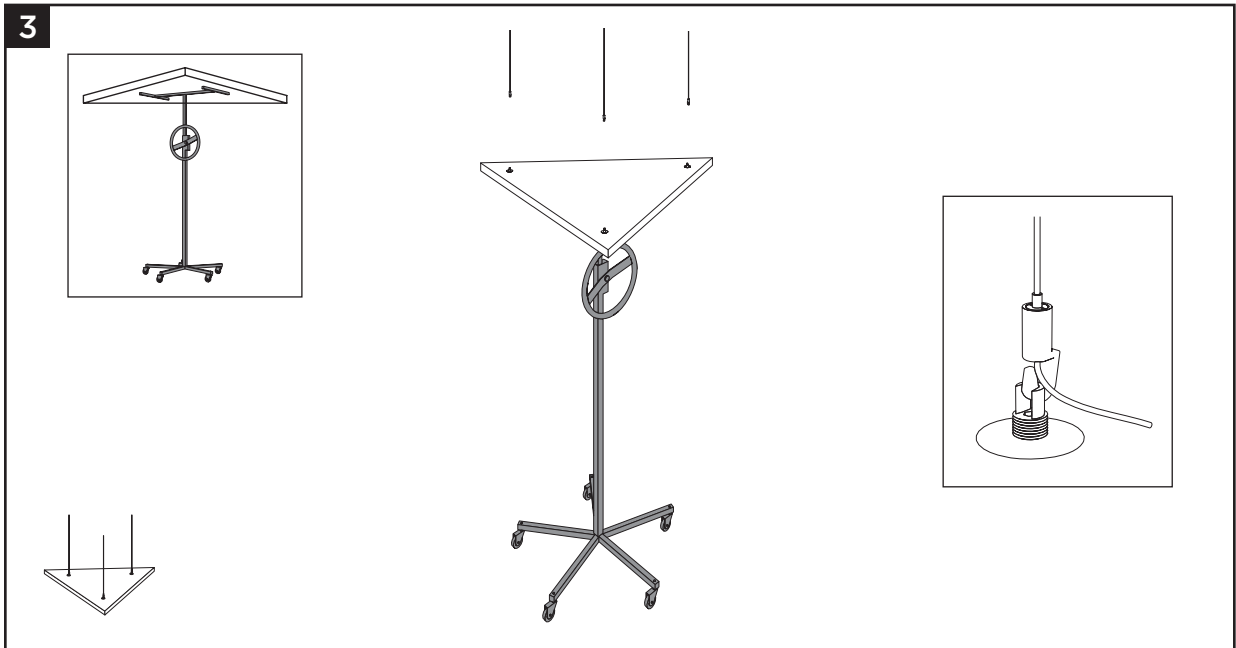
# Installation for Ecophon® Solo™ Triangle Ceilings Panels — Connect Adjustable Wire Hanger Application

1039mm x 1200mm x 40mm (≈40.9375" x 47.25" x 1.5")



# Installation for Ecophon® Solo™ Triangle Ceilings Panels — Connect Adjustable Wire Hanger Application

1039mm x 1200mm x 40mm (≈40.9375" x 47.25" x 1.5")



# Installation for Ecophon® Solo™ Triangle Ceilings Panels — Connect Adjustable Wire Hanger Application

1039mm x 1200mm x 40mm (≈40.9375" x 47.25" x 1.5")

**5**

a	L
15°	23.35
30°	21.65
45°	18.85
60°	15.11

$A = 26\text{-}3/4''$   
 $B = 11\text{-}13/16''$   
 $C = 23\text{-}3/16''$   
 $D = 5\text{-}15/16''$   
 $E = 10\text{-}1/4''$

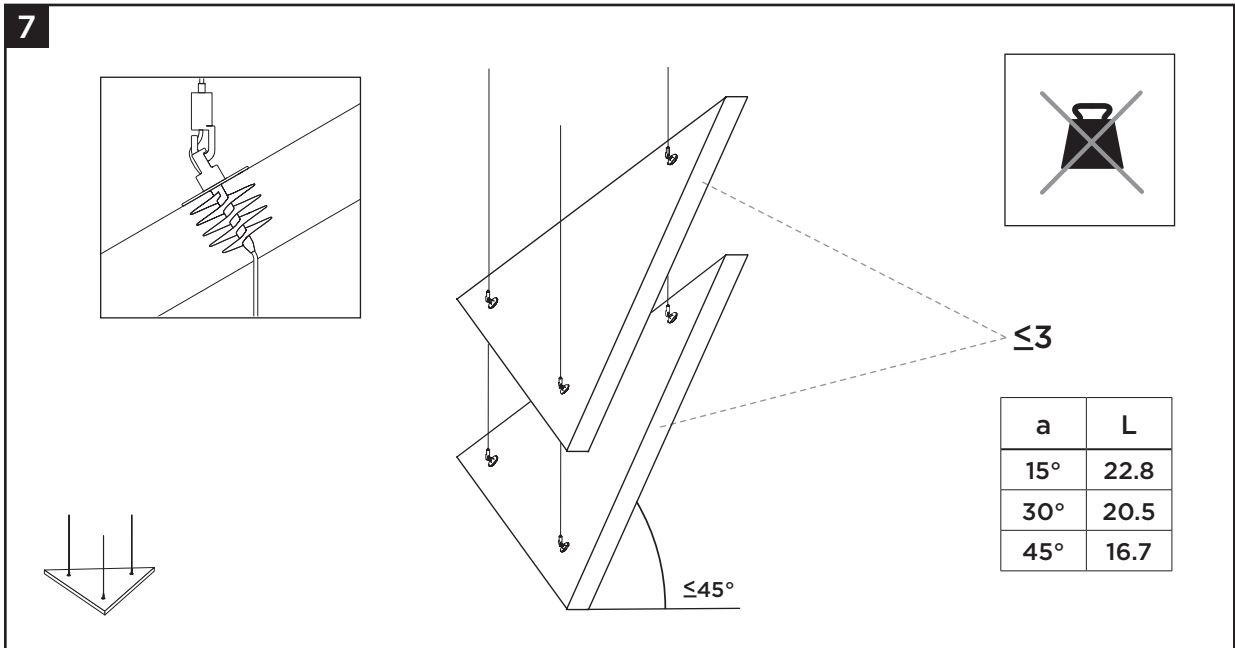
$\alpha \leq 60^\circ$

**6**

$\leq 4$

# Installation for Ecophon® Solo™ Triangle Ceilings Panels — Connect Adjustable Wire Hanger Application

1039mm x 1200mm x 40mm (≈40.9375" x 47.25" x 1.5")



# Installation for Ecophon® Solo™ Triangle Ceilings Panels — Hole Placement Without Panel Support

1039mm x 1200mm x 40mm (≈40.9375" x 47.25" x 1.5")

