

Ecophon® Solo™ Baffle

Anchor Installation Manual

DESIGN AND SPECIFICATIONS

Use of the Product

Ecophon Solo Baffles are high performing ceiling sound absorbers, capable of being used in applications as the primary acoustic solution when a traditional acoustic ceiling is neither feasible nor aesthetically desirable. Ecophon Solo Baffles are unique, free-hanging units offering numerous design possibilities which can be achieved through various color and suspension options.

Surfaces

Ecophon® Solo panels are manufactured from high-recycled fiberglass content (54% post-consumer). The front and back surfaces consist of the Akutex™ FT finish, which is highly light reflectant (85%), and has exceptional light diffusion (+99%). The sides of the panels are fully painted.

Accessibility

The panels can be easily demounted.

Edge Detail

The panels have square edges that are fully painted. Baffle edges can be field modified. It is recommended to seal cut edges with Ecophon edge sealant. If cutting between the anchors, remove anchor from cut edge and re-insert anchor into baffle matching the position of remaining anchor.

Attachment

Solo Baffle Anchor is a direct attach product through the use of the Connect Baffle profile.

Cleaning

Daily dusting and vacuum cleaning. Weekly wet wiping.




Fire Performance

Ecophon Solo Baffle panels have been tested according to ASTM E84 and ASTM E1264 (Flame Spread \leq 25; Smoke Development \leq 50).

Influence of Climate

Install in conditions that do not exceed 95% relative humidity and 86-degrees Fahrenheit.

Product Attributes

Rectangle	SKU	Dimensions mm (\approx in.)	Lbs./carton
	3544 2101	200 x 1200 x 40 (\approx 8 x 48 x 1-1/2)	23
	3544 2100	300 x 1200 x 40 (\approx 12 x 48 x 1-1/2)	34
	3544 2104	600 x 1200 x 40 (\approx 24 x 48 x 1-1/2)	34
	3544 7570	200 x 1800 x 40 (\approx 8 x 72 x 1-1/2)	36
	3544 6739	300 x 1800 x 40 (\approx 12 x 72 x 1-1/2)	50
	3544 7849	600 x 1800 x 40 (\approx 24 x 72 x 1-1/2)	50
Wave	SKU	Dimensions mm (\approx in.)	Lbs./carton
	3544 8101	300 x 1800 x 40 (\approx 12 x 72 x 1-1/2)	30
	3544 8100	600 x 1800 x 40 (\approx 24 x 72 x 1-1/2)	50
Zig Zag	SKU	Dimensions mm (\approx in.)	Lbs./carton
	3544 8001	300 x 1800 x 40 (\approx 12 x 72 x 1-1/2)	30
	3544 8000	600 x 1800 x 40 (\approx 24 x 72 x 1-1/2)	51

Quickship



Solo Baffle Rectangle

Width:

- Min 5" (127mm)
- Max 47.25" (1200mm)

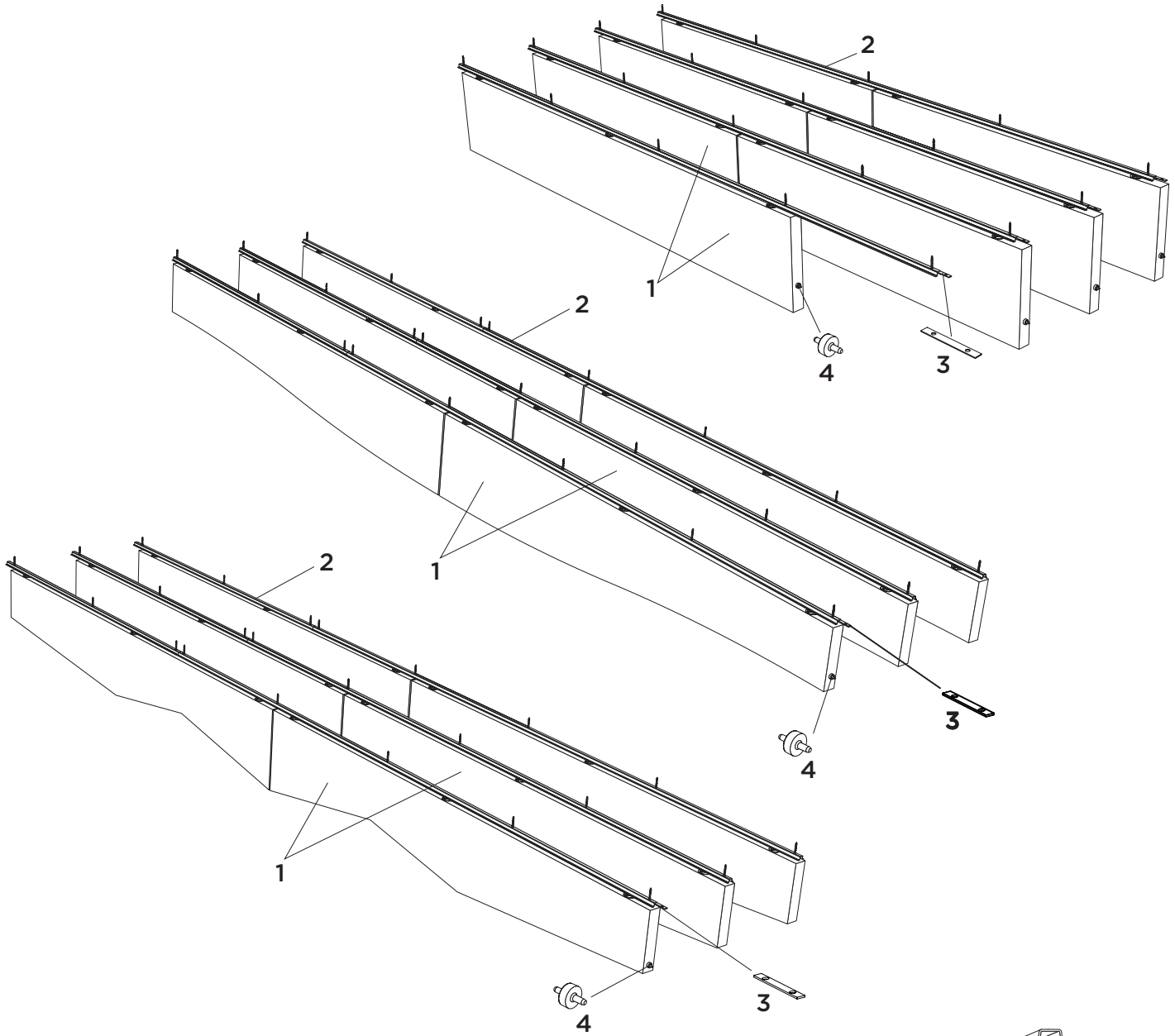
Length*:

- Min 23.625" (600mm)
- Max 94.5" (2400mm)

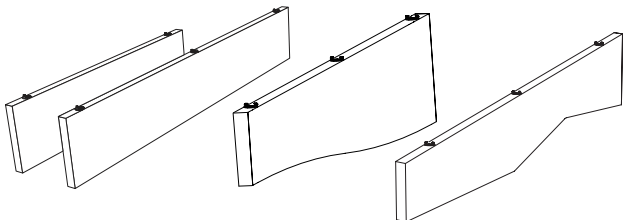
*Max baffle length contingent on height specification

Installation for Ecophon® Solo™ Baffle Anchor

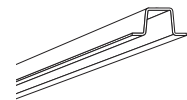
Read the entire manual before installing.



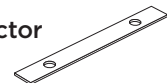
1. Ecophon Solo Baffle Anchor



2. Connect Baffle Profile
2630 0362
Length = 2400mm (≈94.5")



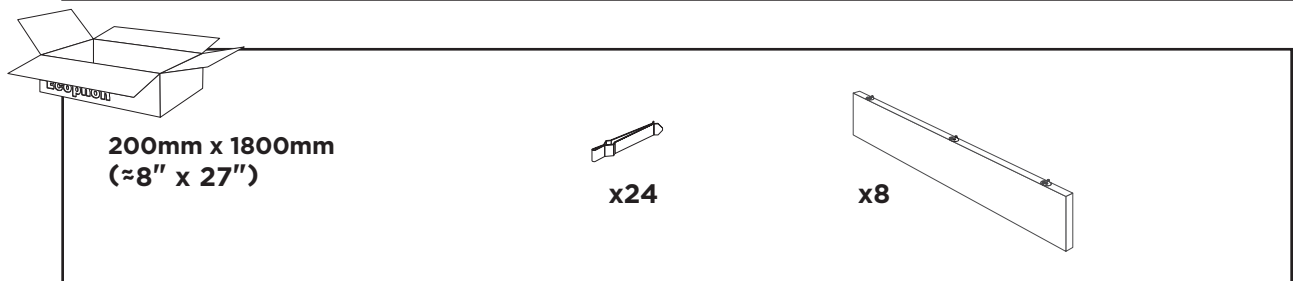
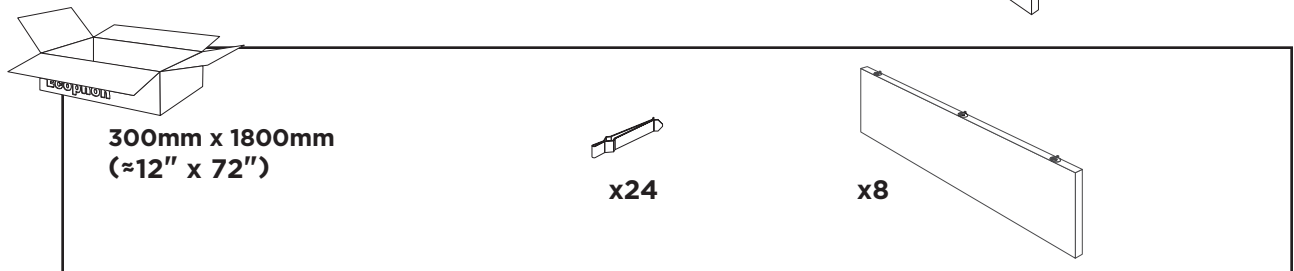
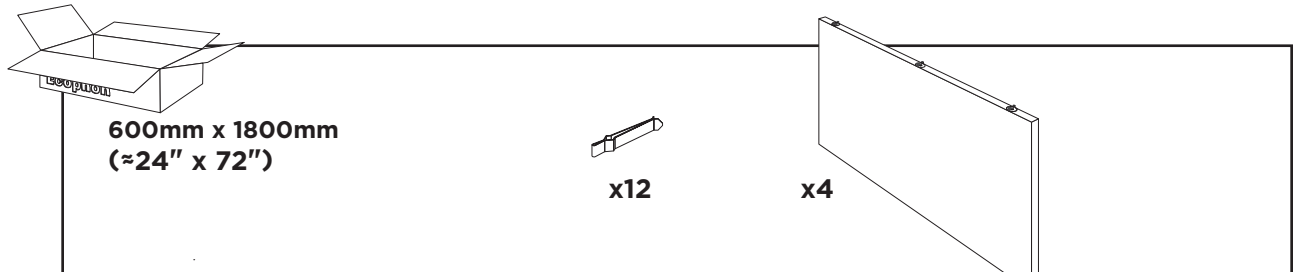
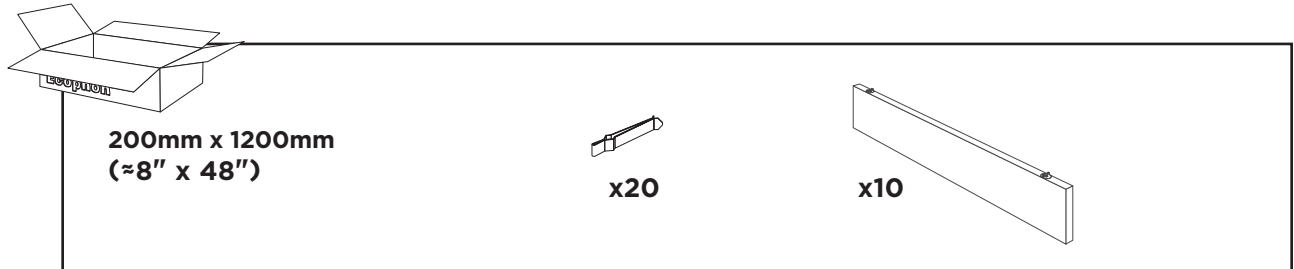
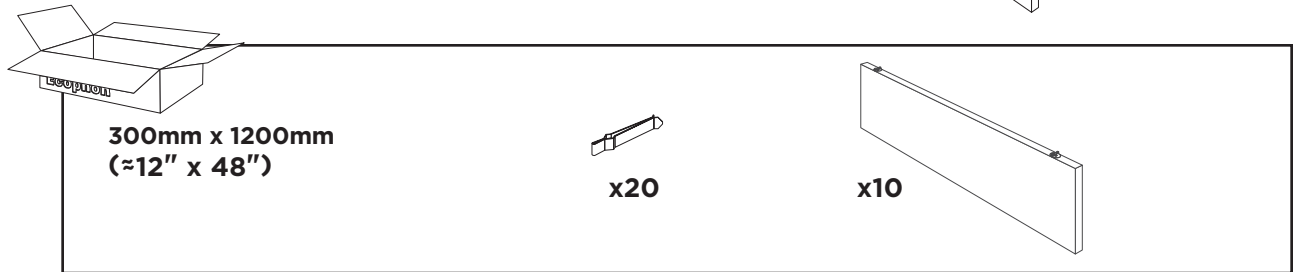
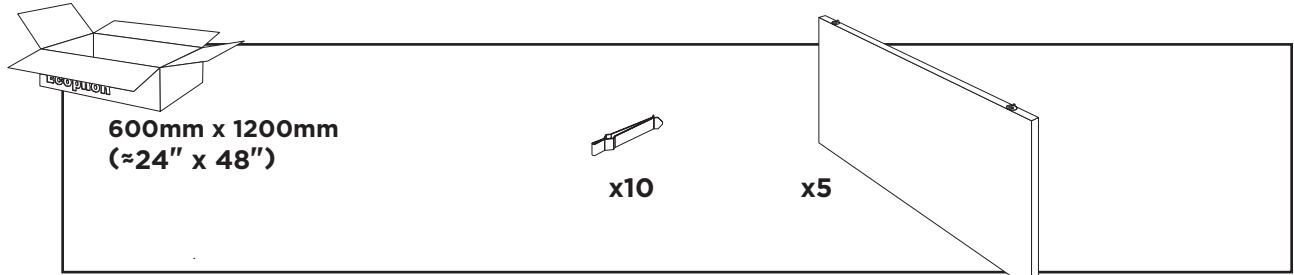
3. Connect Profile Connector
2631 1770



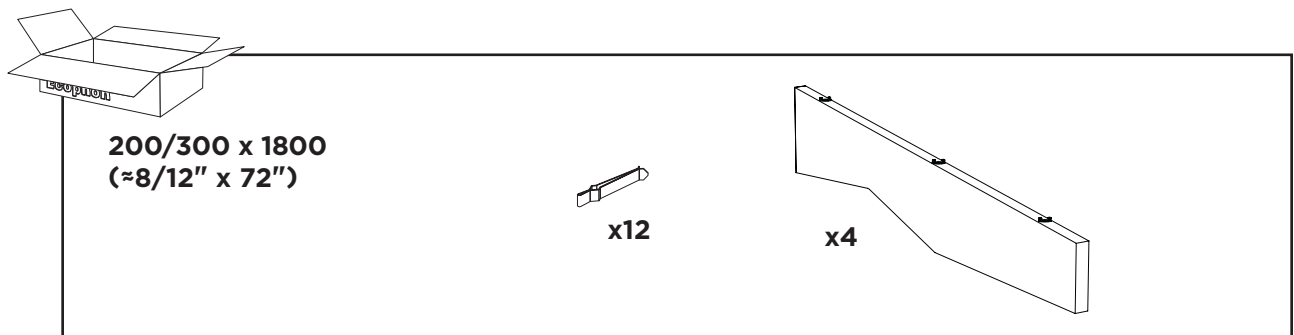
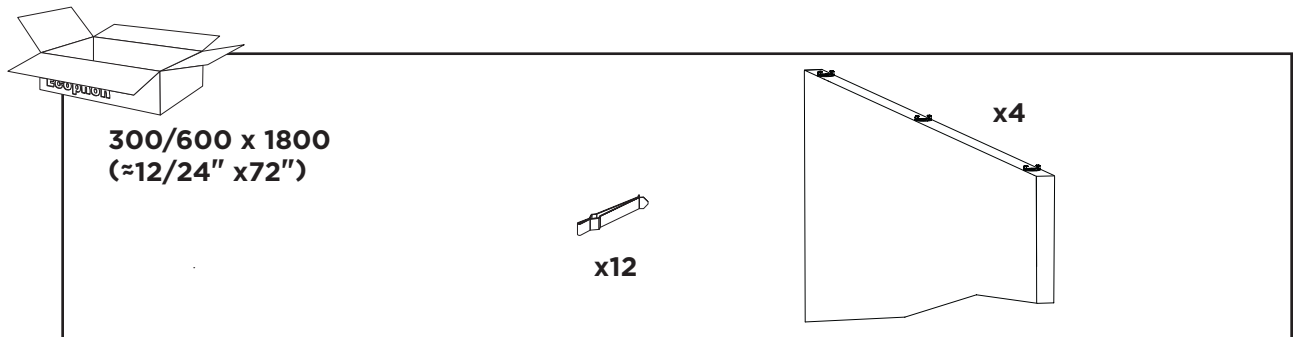
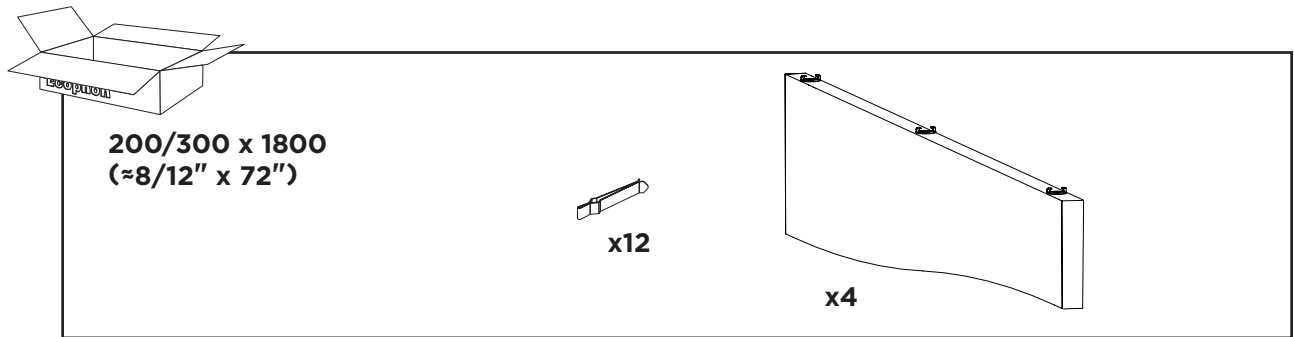
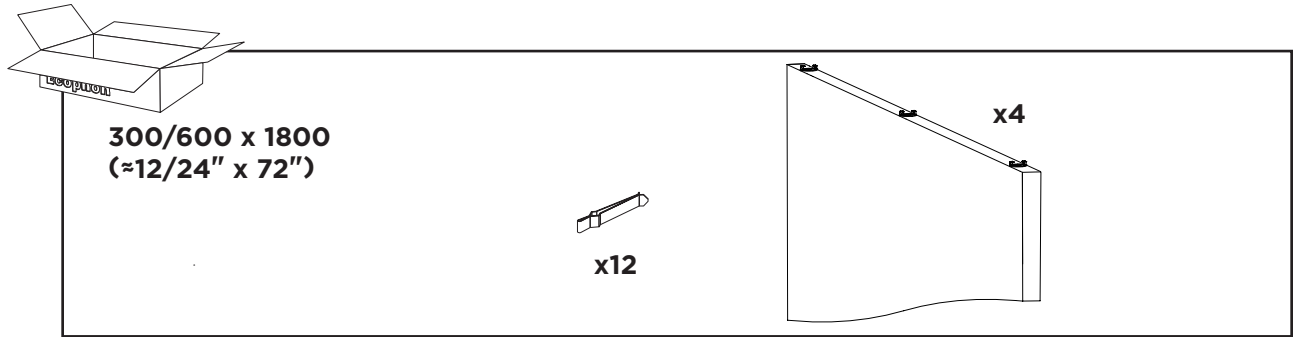
4. Connect Guiding Pin
2631 1768



Installation for Ecophon® Solo™ Baffle Anchor – Direct Attachment Application

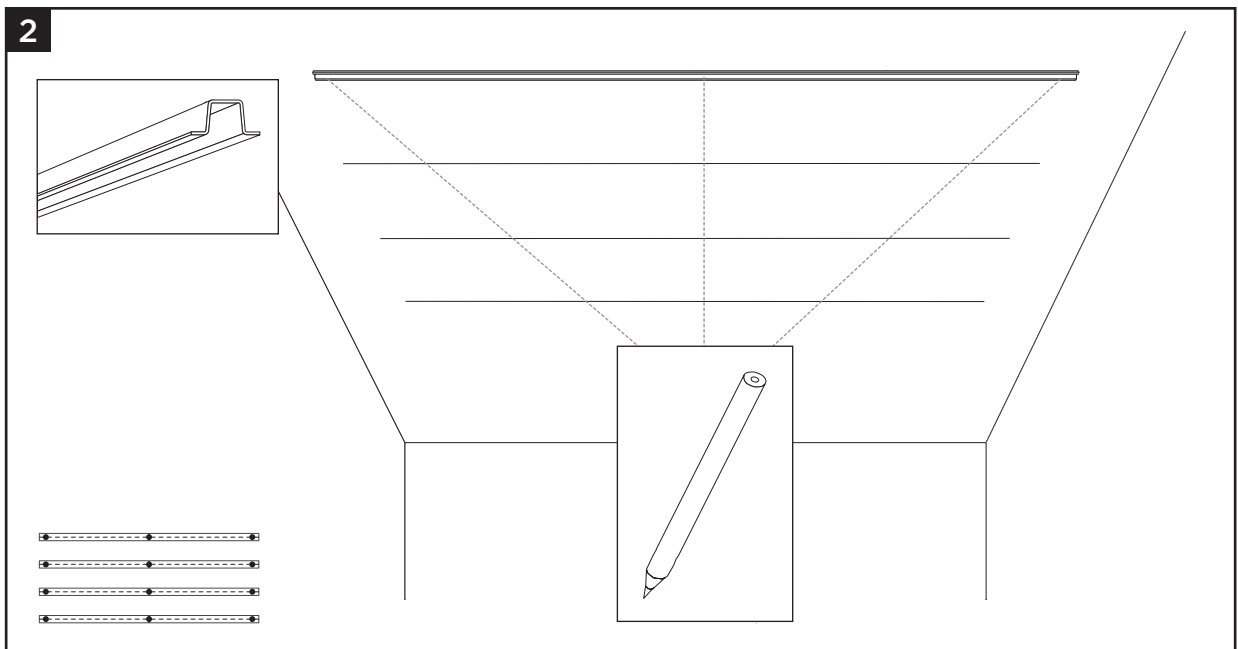
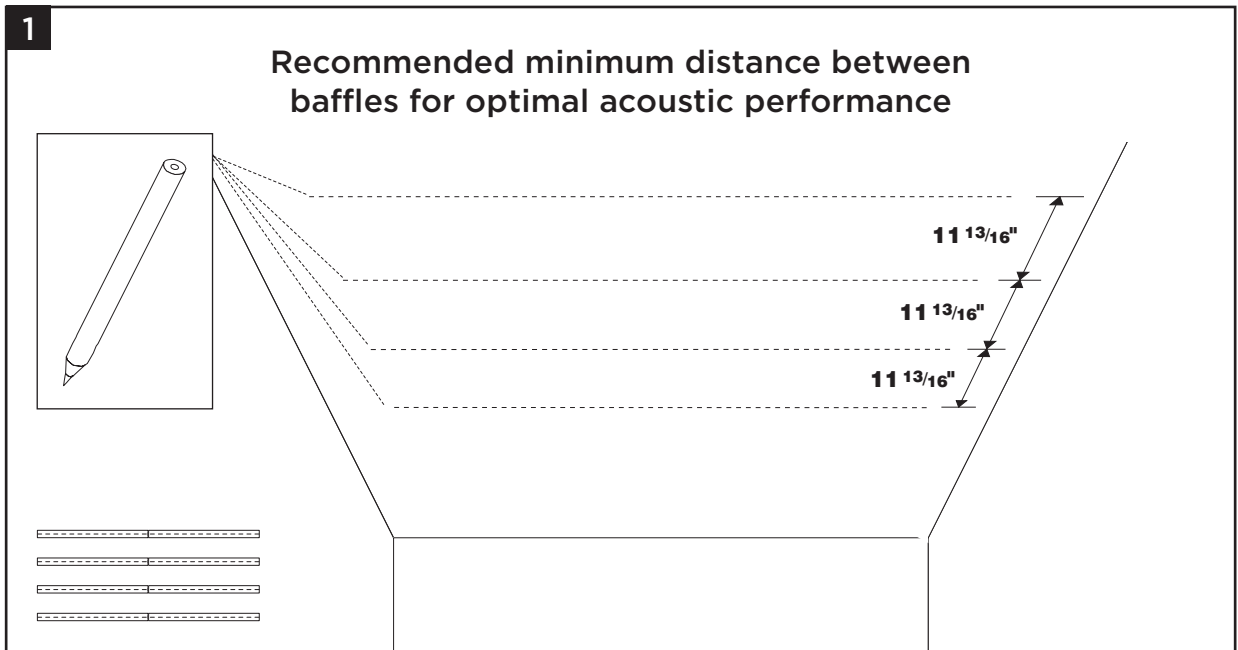


Installation for Ecophon® Solo™ Baffle Wave and Zig Zag Anchor —Direct Attachment Application

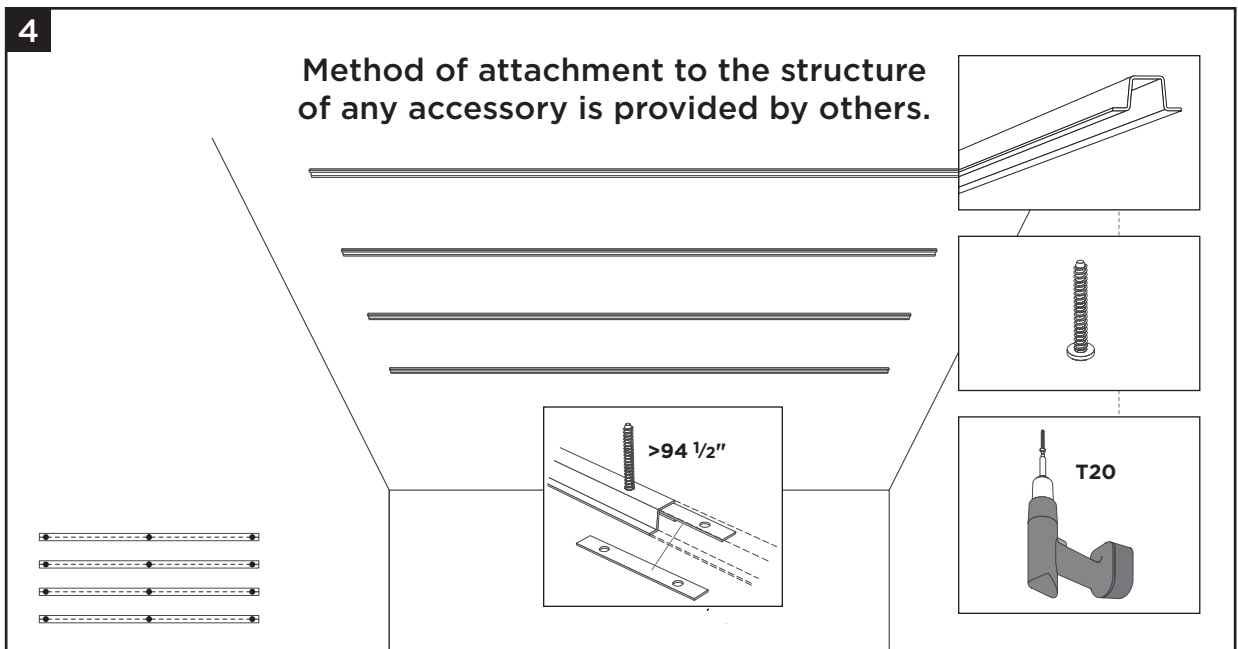
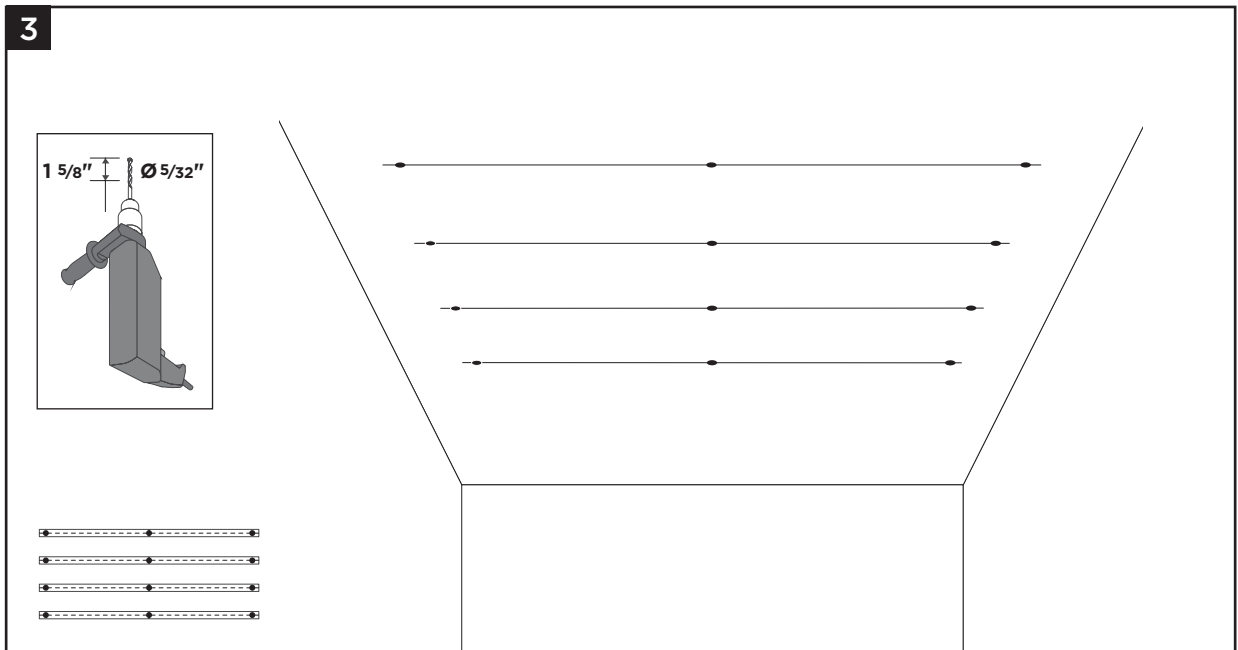


Installation for Ecophon® Solo™ Baffle Anchor – Direct Attachment Application

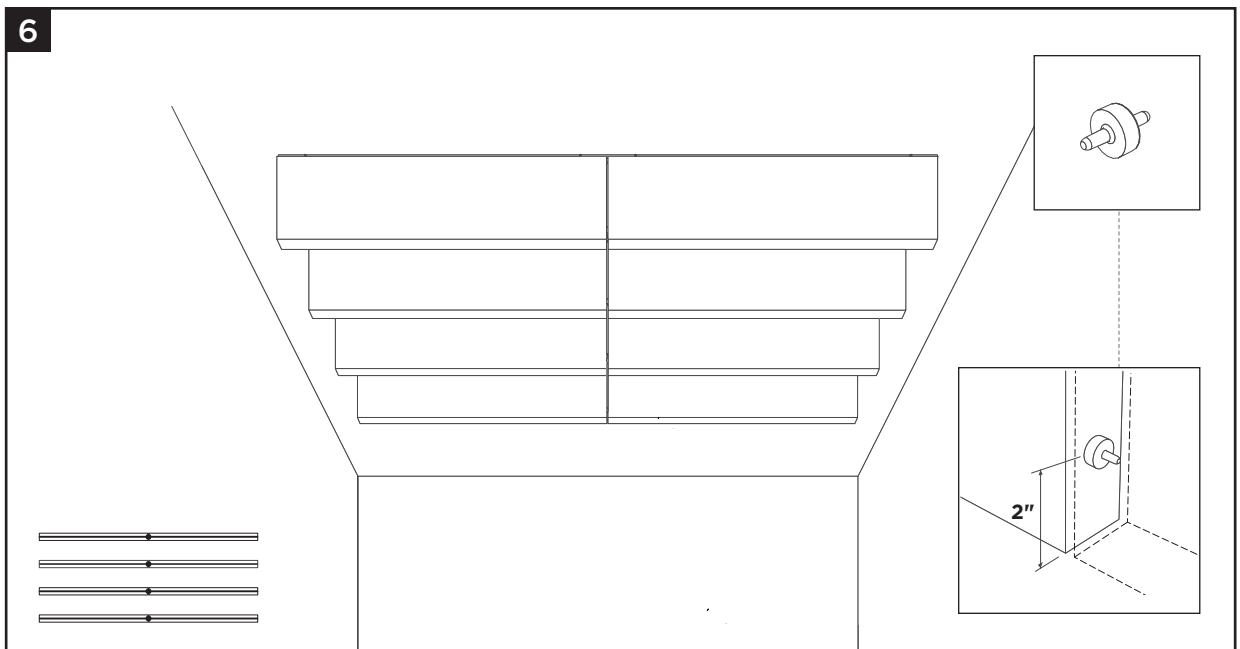
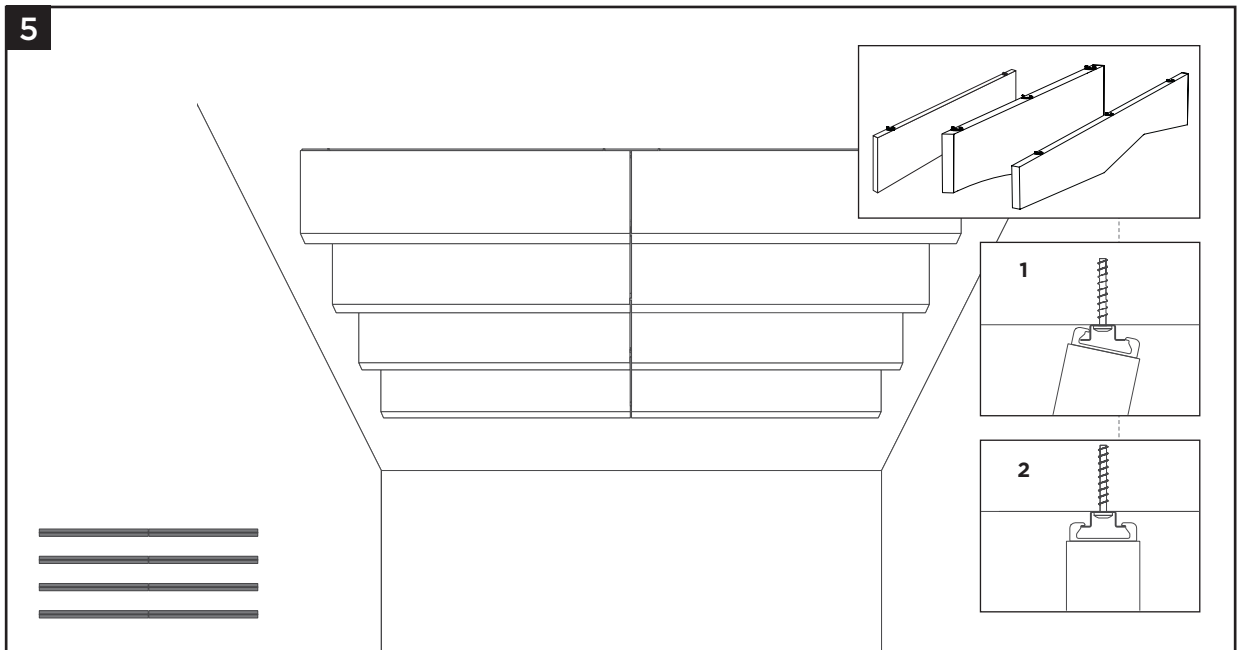
Install instructions apply to all shapes and lengths.



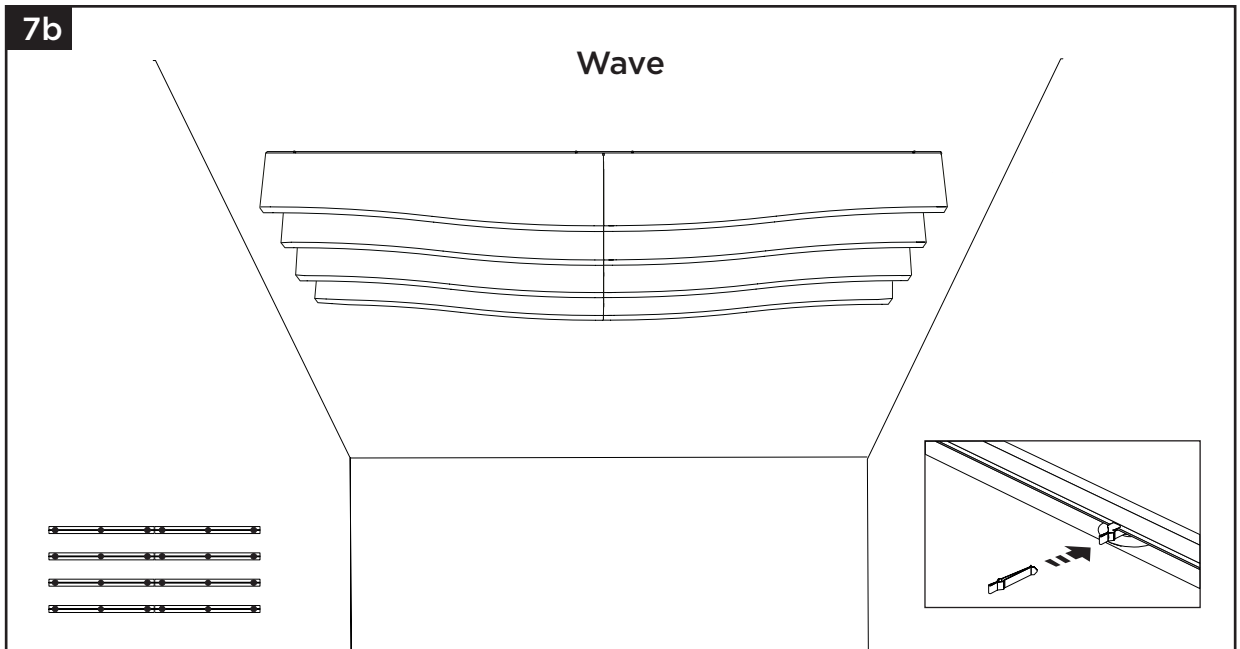
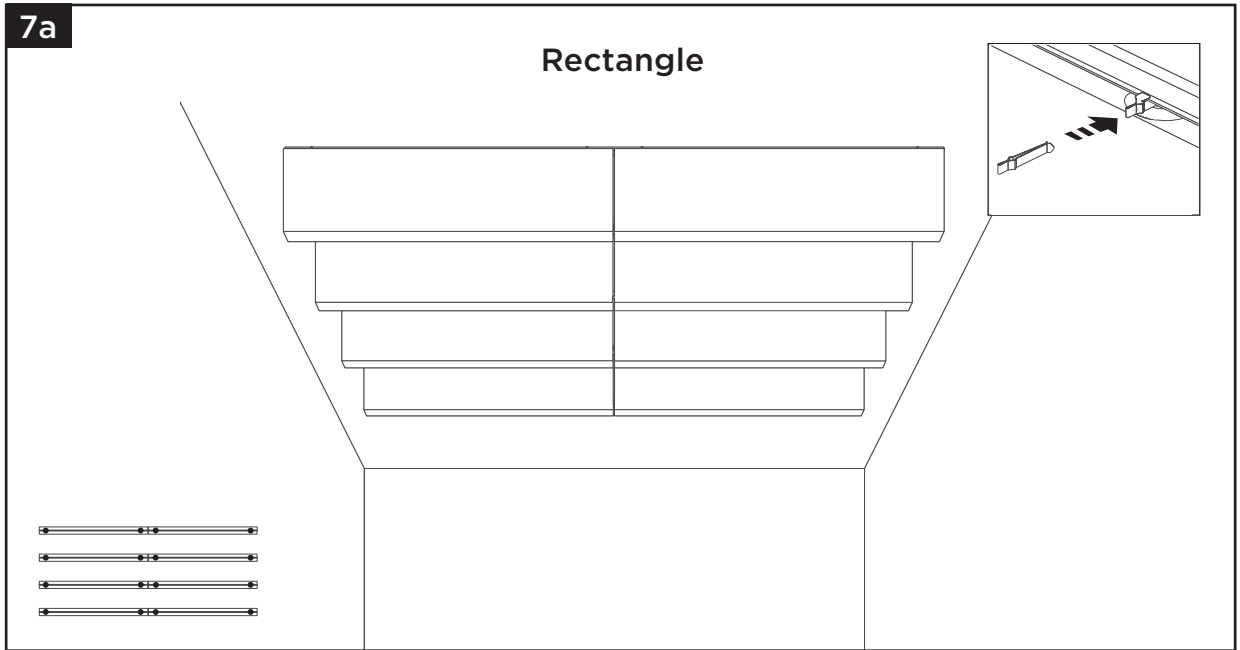
Installation for Ecophon® Solo™ Baffle Anchor – Direct Attachment Application



Installation for Ecophon® Solo™ Baffle Anchor – Direct Attachment Application



Installation for Ecophon® Solo™ Baffle Anchor – Direct Attachment Application



Installation for Ecophon® Solo™ Baffle Anchor — Direct Attachment Application

