

#66N Zinc Short Flange Casing Bead (SFZB)

Short flange casing bead to terminate stucco or plaster edge

Used as a stucco/plaster stop to provide a screed edge and protective finish trim while terminating plaster in a clear, straight line at windows, doors, and other openings in conditions where extreme corrosion resistance is required.

The #66N is recommended as a divider at the edge between plaster and other dissimilar materials. When used in conjunction with metal lath, the 66N is installed under the lath.

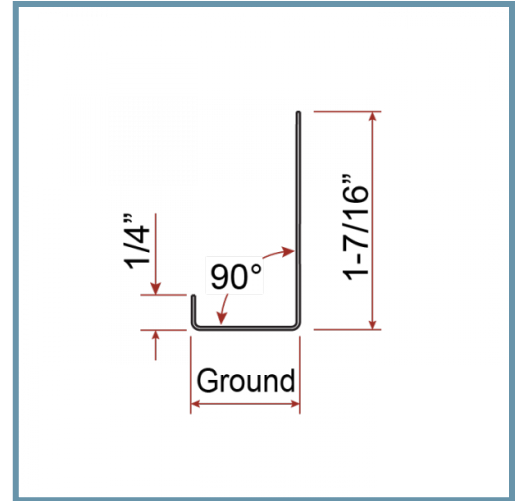
The #66N short flange is used under regular corner reinforcement conditions where an expanded flange is not required. Available with or without weep holes. Also available in galvanized steel alloy.

Galvanized steel products should not be used with Portland cement stucco containing calcium chloride additives or magnesium oxychloride cement stucco. The selection of the appropriate type of material for accessories shall be determined by the surrounding climatic and environmental conditions such as salt air, high humidity, and industrial pollution.

Product Data & Ordering Information:

Material: .0207 99.97% pure Zinc, compliant with ASTM B-69 Also available in G-60 Hot-Dipped Galvanized Steel **Dimensions:** 3/8" to 1-1/4" Grounds, 10' lengths

Ground	Length	Pcs./Ctn.	Ft./Ctn.	Wt./Ctn.	Ctn./Skid
3/8"	10'	30	300	46 lbs.	20
1/2"	10'	30	300	46 lbs.	20
5/8"	10'	30	300	49 lbs.	20
3/4"	10'	30	300	49 lbs.	20
7/8"	10'	30	300	54 lbs.	20
1"	10'	30	300	56 lbs.	20
1-1/4"	10'	30	300	60 lbs.	20



Code Approvals & Performance Standards

- [ASTM B69](#) Standard Specification for Rolled Zinc
- [ASTM C1063](#) Standard Specification for Installation of Lathing and Furring to Receive Interior and Exterior Portland Cement-Based Plaster
- [ASTM C1861](#) Standard Specification for Lathing and Furring Accessories, and Fasteners, for Interior and Exterior Portland Cement-Based Plaster
- [SDS Zinc Strip](#) Cold Formed Finished Products

Storage:

All stored materials shall be kept dry. Materials shall be stacked off the ground, supported on a level platform, and protected from the weather and surface contamination conforming to ASTM C1063.

