

BlazeFrame® (JR 1)

"JR 1" (Deep Leg) Two solid legs w/ fire stop on one side

Composite Firestop/Framing for use in fire-resistant joint systems in or between fire-resistance-rated walls and floor/ceiling or roof/ceiling assemblies. Many assemblies can also be used in smoke barriers with tested air leakage (L ratings) well below the code defined maximum of 5 cfm per linear foot.

(This profile should only be used in shaftwall or chase wall applications)

UL 2079 - Fifth Edition Compliant

When used in conjunction with BlazeFrame Perimeter L-Bead. Provides joint protection for up to 1" with UL 2079 Class II or III Movement Capabilities. For use in up to 2hr rated shaft wall assemblies. One leg (front) having intumescent per listed assemblies in UL Fire Resistance Directory. A 2mm thickness of cured intumescent material adhered to metal profiles provides air and smoke seals. When exposed to heat above 375 degrees Fahrenheit, the intumescent material expands up to 35 times its size. This provides protection from heat and flame passage during a fire event.

Product Data & Ordering Information:

Material: Yield Strength: Grade 33ksi for 33mils & 43mils
 Yield Strength: Grade 50ksi for 54mils
 Coating: CP60 (CP90 available)
 33mils: 20ga STR, 0.0346" Design Thickness, 0.0329" Min. Thickness
 43mils: 18ga, 0.0451" Design Thickness, 0.0428" Min. Thickness
 54mils: 16ga, 0.0566" Design Thickness, 0.0538" Min. Thickness

Dimensions:

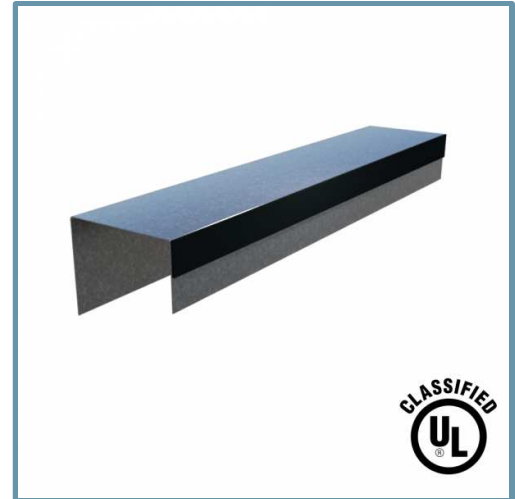
Profile	Front Leg Length (FL)	Back Leg Length (BL)	Tape Width (I)	Joint Protection
JRE1	2.00"	3.00"	0.75"	0.50"
JR 1	2.00"	3.00"	1.00"	0.75"
JRW 1	2.00"	3.00"	1.25"	1.00"

Inside depth: Equal to the outside width of the stud
Web size (W): 2-1/2", 4", and 6"
Track length: 10'-0"

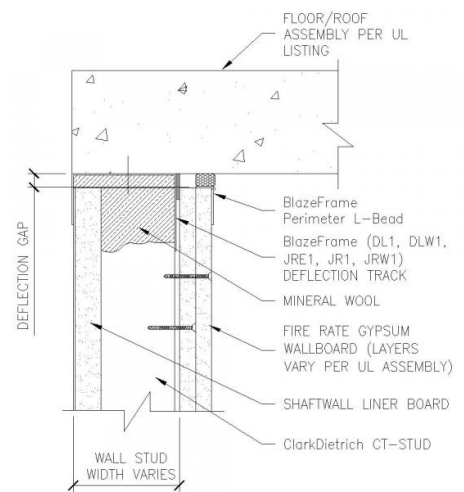
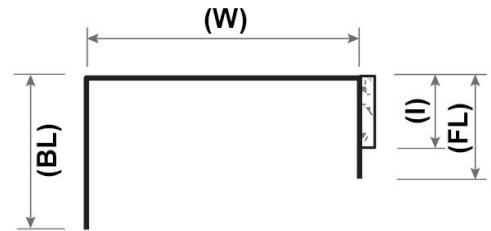
For connection details and fire rated assembly details on either of these systems, refer to www.clarkdietrich.com/BlazeFrame.

Code Approvals & Performance Standards

- **AISI S220-15** North American Standard for CFS Framing - Nonstructural Members
 - (Compliant to ASTM C645 , but IBC replaced with AISI S220 in IBC 2015)
 - Section A4 Material - Chemical & mechanical requirements (Referencing ASTM A1003/A1003M)
 - Section A5 Corrosion Protection (Referencing ASTM A653/A653M)
- **AISI S240-15** North American Standard for Cold-Formed Steel Structural Framing
 - (Compliant to ASTM C955 , but IBC replaced with AISI S200 in IBC 2015, AISI S240 in IBC 2018)
 - Section A3 Material - Chemical & mechanical requirements (Referencing ASTM A1003/A1003M)
 - Section A4 Corrosion Protection (Referencing ASTM A653/A653M)
- **UL Designs 2079 Fifth Edition** Tests for Fire Resistance of Building Joint Systems
 - (When used in conjunction with BlazeFrame Perimeter L-Bead)
 - IBC requires fire-resistant joint systems be tested in accordance w/the requirements of either ASTM E1966 or UL 2079.
- **UL File Number R26034-XHHW** Full list of BlazeFrame UL design assemblies
- **SDS For ASTM A1003 Steel Framing Products** For Interior Framing, Exterior Framing and Clips/Accessories
- **SDS BlazeFrame Tape - Rectorseal** Intumescent Fire-Stop System



- UL Classified and Listed Joint Systems
- Intumescent strip provides air & smoke seals
- Patents: www.cd-patents.com



BlazeFrame® Perimeter L-Bead

Vinyl L-Bead with Compressible Foam

BlazeFrame® Perimeter L-Bead creates an easy attachment that is attained with staples through the bead flange. Multiple perforations along the 1-1/8" flange enhance strong compound adhesion and the raised shoulder provides for a flush finish. Rigid vinyl is rust proof, dent resistant and easy to field cut without distorting profile or leaving sharp edges and burrs.

Composite Firestop/Framing for use in fire-resistant joint systems in or between fire-resistance-rated walls and floor/ceiling or roof/ceiling assemblies. Many assemblies can also be used in smoke barriers with tested air leakage (L ratings) well below the code defined maximum of 5 cfm per linear foot.

UL 2079 - Fifth Edition Compliant

When used in conjunction with BlazeFrame Fire Stop Deflection Track Systems. Provides joint protection for up to 1" with UL 2079 Class II or III Movement Capabilities at 80% compression.

Product Data & Ordering Information:

Vinyl Material:	0.028" PVC (Polyvinyl Chloride)
L-Bead Dimensions:	1/2" Leg x 1-1/8" Flange (available in rip bead)
Length:	8-foot long
Vinyl color:	White
Foam color:	Black

Profile	Part Number	Width	Length	Wt./Ctn.	Pcs./Ctn.
Perimeter L-Bead	62562	1/2"	8'	24 lbs	40
Perimeter L-Bead with Rip Bead	62564	1/2"	8'	18 lbs	30

Code Approvals & Performance Standards

- [ASTM C840](#) Standard Specification for Application and Finishing of Gypsum Board
- [ASTM C841](#) Standard Specification for Installation of Interior Lathing and Furring
- [ASTM C1047](#) Standard Specification for Accessories for Gypsum Wallboard and Gypsum Veneer Base
- [ASTM D1056-07](#) Standard Specification for Flexible Cellular Materials - Sponge or Expanded Rubber
- [ASTM D3678](#) Standard Specification for Rigid Poly(Vinyl Chloride) (PVC) Interior - Profile Extrusions
- [UL Design 2079 Fifth Edition](#) Tests for Fire Resistance of Building Joint Systems
 - (When used in conjunction with BlazeFrame Firestop Deflection Track systems)
 - IBC requires fire-resistant joint systems be tested in accordance w/the requirements of either ASTM E1966 or UL 2079.
- [SDS Vinyl Corp](#) PVC Compounds

Storage:

All stored materials shall be kept dry. Materials shall be stacked off the ground, supported on a level platform, and protected from the weather.

Installation Instructions:

- Cut to length with a fine-toothed hacksaw or chop saw
- Make sure to cut ends square
- Compress the foam and slide the horizontal leg over the top edge of the gypsum board
- Ensure the horizontal flange and vertical flange are in contact with the gypsum board.
- Attach perforated vertical flange to the gypsum base with Bostich 9/16" type G staples, or equivalent, spaced 12" on center maximum
- Repeat steps #1 and #2 and then butt together and align to provide a neat tight fit, with no gaps between the vinyl or foam.
- Repeat until all joints have been filled with the BlazeFrame Perimeter L-Bead
- Apply joint compound to perforated leg (optional)
- May be painted with high grade latex or acrylic paint (optional)

