

BlazeFrame® RipTRAK™ (1 HR) for 1" Total Deflection

Head-Of-Wall Deflection Track - 1 Hour System

BlazeFrame RipTRAK is a deflection track with an offset shoulder that represents the thickness of the gypsum board (5/8" or 1-1/4"). A second piece of gypsum board (wall cladding strips) is fit flush to the underside of the slab (w/sealant) or to a fluted deck (without castle cuts & sealant), and is then fastened to the shoulder. This allows the roof/floor assembly and the BlazeFrame RipTRAK to move in relation to the wall assembly. This also allows the wall cladding strips (the rip board) that is attached to the BlazeFrame RipTRAK to slide over the primary wall assembly.

The BlazeFrame RipTRAK is a UL tested fire-rated head of wall joint system. Meets UL 2079, 5th edition; HW-D-0823. This is good for both roof and wall assemblies.

Fire Rated Condition

1/2" nominal joint with 100% compression and 100% extension. Up to 1" of total movement. (See attached page for all configurations)

RipTRAK™ Clips (RTC)

If RipTRAK Clips (RTC) are required to meet allowable loads, they are attached to both inside bottom legs of the BlazeFrame RipTRAK with two #8 by 1/2" (13mm) long steel self-drilling framing screws and engage the short flange of the studs. This reinforces any stud to track connection while allowing deflection. See RipTRAK [Technical Data](#) for more info on allowable loads.

RipTRAK Clip	Thickness	Used For	Weight / Piece	Qty Per Bucket
RTC-33	20ga (33mils)	Drywall Studs	0.04 lb.	100
RTC-54	16ga (54mils)	Structural Studs	0.08 lb.	100

Product Data & Ordering Information:

Material: Yield Strength: Grade 33ksi for 33mils & 43mils - 50ksi for 54mils
 Coating: CP60 (CP90 available)
 33mils: 20ga STR, 0.0346" Design Thickness, 0.0329" Min. Thickness
 43mils: 18ga, 0.0451" Design Thickness, 0.0428" Min. Thickness
 54mils: 16ga, 0.0566" Design Thickness, 0.0538" Min. Thickness
 68mils: 14ga, 0.0713" Design Thickness, 0.0677" Min. Thickness

Dimensions:

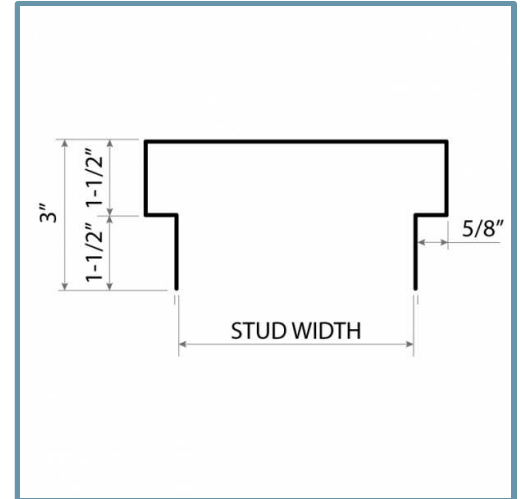
Inside depth: Equal to the outside width of the stud (Stud Width)
 Web Size: 2-1/2", 3-5/8", 4", 6" and 8"
 Track length: 10'-0"

Code Approvals & Performance Standards

- [AISI S100-16 \(2020\) w/S2-20](#) North American Specification for the Design of Cold-Formed Steel Structural Members
- [AISI S220-20](#) North American Standard for Cold-Formed Steel Framing - Nonstructural Members
 - (Compliant to ASTM C645, but IBC replaced with AISI S220 in IBC 2015)
 - Section A3 Material - Chemical & mechanical requirements (Referencing ASTM A1003/A1003M)
 - Section A4 Corrosion Protection (Referencing ASTM A653/A653M)
 - Section C Installation - (Referencing ASTM C754)
- [UL Designs 2079 Fifth Edition](#) Tests for Fire Resistance of Building Joint Systems
- [UL File Number R26034-XHLI](#) Full list of MaxTrak and RipTrak UL design assemblies
- [SDS For ASTM A1003 Steel Framing Products](#) For Interior Framing, Exterior Framing and Clips/Accessories

Sustainability Credits For more details and LEED letters contact Technical Services at 888-437-3244 or visit clarkdietrich.com/LEED.

- **LEED v4.1 MR Credit:** Environmental Product Declarations: EPD (1 point) - Sourcing of Raw Materials (up to 2 points) - Material Ingredients (1 point) - Construction and Demolition Waste Management (up to 2 points)
- **LEED v4 MR Credit:** Building Product Disclosure and Optimization: EPD (1 point) - Sourcing of Raw Materials (1 point) - Material Ingredients (1 point) - Construction and Demolition Waste Management (up to 2 points) - Innovation Credit (up to 2 points).



- UL Classified and Listed Joint Systems
- 2 HR Rated system also available



BlazeFrame® RipTRAK™ (1HR) for 1" Total Deflection

Head-Of-Wall Deflection Track - 1 Hour System

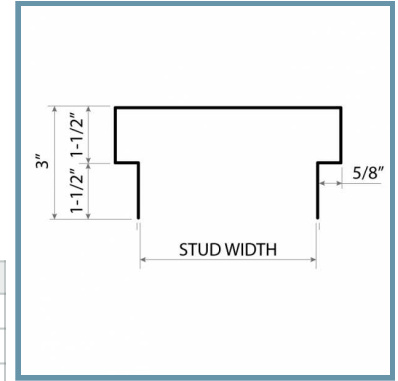
Joint System Overview:

Deflection Gap (Nominal Joint Width)

Max separation between the bottom of the return of the deflection track and top of wallboard (at the time of installation of the joint system) is between 0 and 2 in. (50 mm) in the following configurations: (Also shown in the UL Report: HW-D-0823)

Nominal Joint Width	Extension	Compression	Max. Joint Width
*0 in. (0 mm)	*1 in. (25 mm)	*0 in. (0 mm)	*1 in. (25 mm)
*1/2 in. (12 mm)	*1/2 in. (12 mm)	*1/2 in. (12 mm)	*1 in. (25 mm)
1 in. (25 mm)	0 in. (0 mm)	1 in. (25 mm)	1 in. (25 mm)

* Systems fall within the [RipTRAK Allowable Load Tables](#). EOR must review joint systems that fall outside this range.



EXTENSION

Upward movement of the roof or floor system - Deflection Gap (Nominal Joint Width) opens larger than installed width due to negative wind pressure (roof uplift) or the floor system below compressing.

COMPRESSION

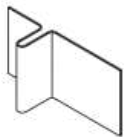
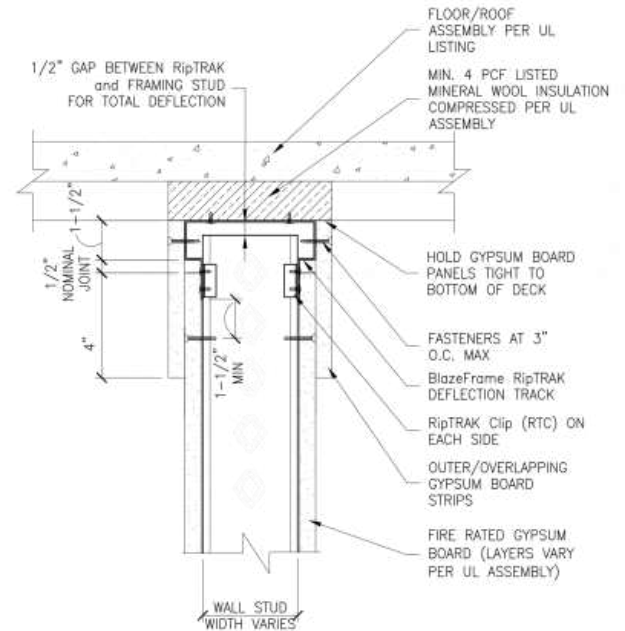
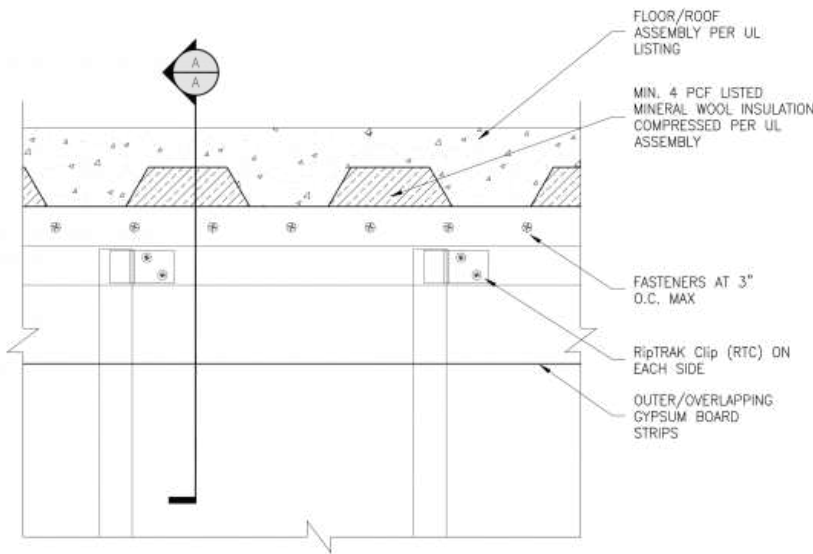
Downward movement of the roof or floor system - Deflection Gap (Nominal Joint Width) compresses due to dead loads, live loads, snow loads, etc.

MAX. JOINT WIDTH (TOTAL DEFLECTION MOVEMENT)

Both downward (compression) and upward (extension) movement - Most joints are subjected to movement in both directions. For example, a joint required to handle 1/2" of extension and 1/2" of compression would have a 1" Max. Joint Width (Total deflection movement)

Fire Rated Condition (Example Shown Below)

1/2" Nominal Joint (Deflection Gap) with 100% Compression (1/2") and 100% Extension (1/2") = 1" of total movement (Max. Joint Width)



RipTRAK Clip (RTC)

HEAD OF WALL DETAIL RT1-1-UD-1-ALT

UL LISTED FLOOR/ROOF ASSEMBLY W/ UNPROTECTED DECK (UD) - MINERAL WOOL FILL

UL DESIGN HW-D-0823 (ALT 3A1 and 3B1)
(1 HR WITH 1/2" NOMINAL JOINT)

For additional CAD details showing alternative installation options of the RipTrak, refer to the [iTools CAD Library](#).