

## Seismic and Hurricane Ties (HC2)

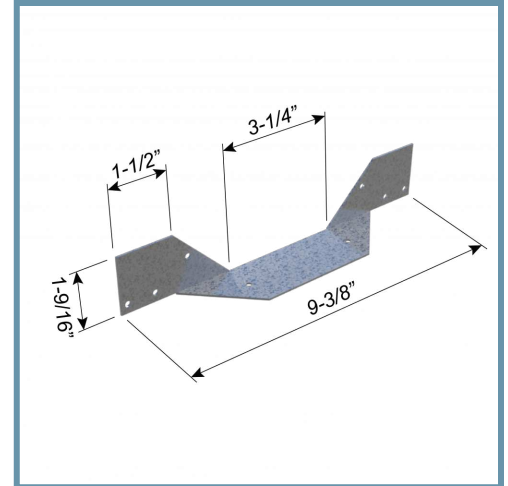
### Attaches and Secures Trusses and Rafters to Building Structure

ClarkDietrich Seismic and Hurricane Ties are designed to provide wind and seismic resistance for trusses and rafters. Quick and efficient, these versatile connectors can also be used for general tie-down purposes, strong back attachments and as all-purpose ties where one member crosses another.

The HC2 is formed from a flat plate into an A-shaped section. The plate has a right-angle bend along its longitudinal axis to permit straddling a top plate.

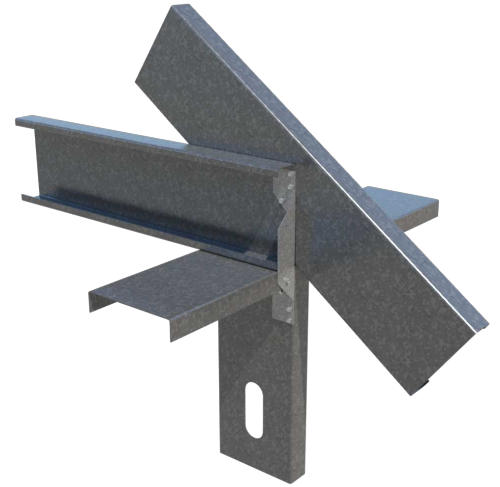
#### Product Data & Ordering Information:

<b>Material:</b>	Structural Grade 50 Type H (ST50H), 50ksi (340 MPa)
<b>Coating:</b>	G90 (Z275) hot-dipped galvanized coating
<b>Thickness:</b>	43mils (18ga) 0.0451" Design thickness 0.0428" Minimum thickness
<b>Dimensions:</b>	1-9/16" x 9-3/8" x 1-9/16"
<b>Packaging:</b>	100 pieces per carton
<b>Product Weight:</b>	0.32 lb / piece



#### Installation:

Place the tie so one end fits flush against the roof framing member and the other fits flush against the web of the wall stud. Attach the tie to the side of the rafter at the top and to the sides of the stud immediately below the top plate at the bottom. Fill all prepunched holes with a minimum of #10 self-drilling screws. Reference section R 603.8.3.2 of the International Residential Code (IRC) or the engineer of records specification.



#### Code Approvals & Performance Standards

- [ASTM A653](#) Standard Specification for Steel Sheet, Zinc-Coated (Galvanized) or Zinc-Iron Alloy-Coated (Galvannealed) by the Hot-Dip Process
- [ASTM A1003](#) Standard Specification for Steel Sheet, Carbon, Metallic- and Nonmetallic-Coated for Cold-Formed Framing Members
- [SDS For ASTM A1003 Steel Framing Products](#) For Interior Framing, Exterior Framing and Clips/Accessories

**Sustainability Credits** For more details and LEED letters contact Technical Services at 888-437-3244 or visit [clarkdietrich.com/LEED](http://clarkdietrich.com/LEED).

- **LEED v4.1 MR Credit:** Environmental Product Declarations: EPD (1 point) - Sourcing of Raw Materials (up to 2 points) - Material Ingredients (1 point) - Construction and Demolition Waste Management (up to 2 points)
- **LEED v4 MR Credit:** Building Product Disclosure and Optimization: EPD (1 point) - Sourcing of Raw Materials (1 point) - Material Ingredients (1 point) - Construction and Demolition Waste Management (up to 2 points) - Innovation Credit (up to 2 points).