

EasyClip™ QuickTwist™ Web Stiffener (QTWS)

6" wide web stiffener 12GA

EasyClip QuickTwist Web Stiffeners are used to provide reinforcement of joist webs to prevent crippling. Web reinforcement is often required by design to enhance the load capacity of joists. The unique design of this web stiffener allows the installer to insert the stiffener on the inside of the joist after the joist is installed. This stiffener eliminates the need to pre-insert traditional web stiffeners prior to joist installation. The one-piece assembly is easily rotated in-place for a tight fit.

For allowable web crippling loads see www.clarkdietrich/products/easyclip-quick-twist-web-stiffener.

Product Data & Ordering Information:

Material:	All Structural Material: Grade 50ksi min. yield strength, G90 coating
Thickness:	97mils (12ga), 0.1017" Design thickness, 0.0966" Min. thickness
Dimensions:	6" web width x 1-1/4" legs (3-1/2" wide stiffeners also available)
Lengths:	6", 7-1/4", 8", 9-1/4", 10", 11-1/4", 12" and 14" long
Packaging:	Dependent on order quantity.
Weights:	6" = 1.43 lbs, 7-1/4" = 1.73 lbs, 8" = 1.91 lbs, 9-1/4" = 2.20 lbs 10" = 2.38 lbs, 11-1/4" = 2.68 lbs, 12" = 2.86 lbs, 14" = 3.34 lbs

Notes:

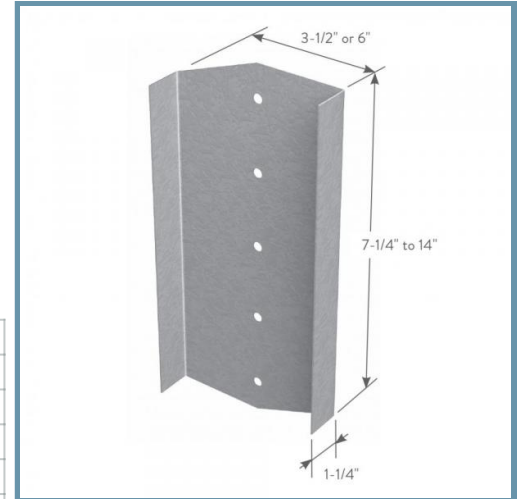
- The QTWS is designed to work with all floor joist flanges but the length of the QTWS clip shall match the depth of the supporting floor joist.
- Load data is not available for 6" length.

Code Approvals & Performance Standards

- [ASTM A653](#) Standard Specification for Steel Sheet, Zinc-Coated (Galvanized) or Zinc-Iron Alloy-Coated (Galvannealed) by the Hot-Dip Process
- [ASTM A1003](#) Standard Specification for Steel Sheet, Carbon, Metallic- and Nonmetallic-Coated for Cold-Formed Framing Members
- [SDS For ASTM A1003 Steel Framing Products](#) For Interior Framing, Exterior Framing and Clips/Accessories

Sustainability Credits For more details and LEED letters contact Technical Services at 888-437-3244 or visit clarkdietrich.com/LEED.

- **LEED v4.1 MR Credit:** Environmental Product Declarations: EPD (1 point) - Sourcing of Raw Materials (up to 2 points) - Material Ingredients (1 point) - Construction and Demolition Waste Management (up to 2 points)
- **LEED v4 MR Credit:** Building Product Disclosure and Optimization: EPD (1 point) - Sourcing of Raw Materials (1 point) - Material Ingredients (1 point) - Construction and Demolition Waste Management (up to 2 points) - Innovation Credit (up to 2 points).



- Simple, post installation assembly
- Easily rotated in-place for a tight fit
- Pre-punched for easy installation of fasteners
- Solid 12 gauge construction
- One-piece assembly

