

Fast Strut™ 18" (FS18)

14ga (68mils) 18" long vertical slide deflection strut

ClarkDietrich Fast Strut™ curtainwall connector employs the Fast Clip™ technology for curtainwall stud attachment and is commonly used when large stand-off conditions exist. Fast Strut™ products are available in standard lengths of 12-1/4" and 15-1/4" and custom lengths of up to 24" long to allow framing attachment well beyond the perimeter of the structural steel or when the spandrel beams are set back from the edge of the structure. Struts are attached to the underside of structural members with screws, welds, or powder-actuated fasteners. Proprietary Deflection Screws are provided with each strut to ensure friction-free sliding.

For allowable loads for multiple connection options, reference the Clip & Connector Catalog or www.clarkdietrich.com/FastStrut for more information.

Product Data & Ordering Information:

Material	Mill-certified SS Grade 50ksi (340 MPa)
Dimensions	4" x 1-1/2" x 18" (102mm x 50.8mm x 457.2mm)
Thickness	68mils (14ga), 0.0713" Design thickness, 0.0677" Min. thickness
Coating	G90 (Z275) hot-dipped galvanized coating
Product weight	2.32 lbs/piece
Packaging	10 pieces per box. Includes 55 Proprietary Deflection Screw per box

Code Approvals & Performance Standards

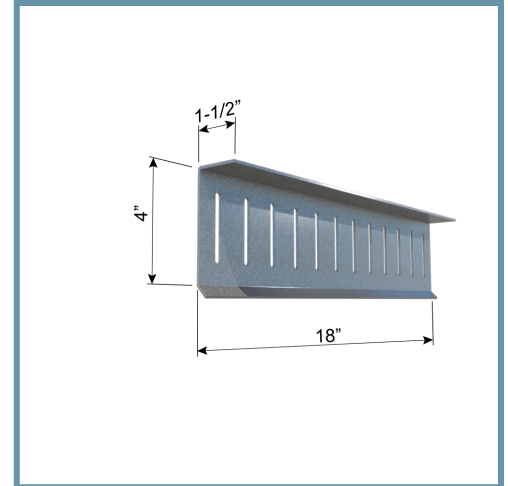
- [ASTM A653](#) Standard Specification for Steel Sheet, Zinc-Coated (Galvanized) or Zinc-Iron Alloy-Coated (Galvannealed) by the Hot-Dip Process
- [ASTM A1003](#) Standard Specification for Steel Sheet, Carbon, Metallic- and Nonmetallic-Coated for Cold-Formed Framing Members
- [SDS For ASTM A1003 Steel Framing Products](#) For Interior Framing, Exterior Framing and Clips/Accessories

Alternative Products:

- [EXTENDED Fast Clip™](#), [Fast Clip™](#), [Flat Tail™ Slide Clip](#)

Sustainability Credits For more details and LEED letters contact Technical Services at 888-437-3244 or visit clarkdietrich.com/LEED.

- **LEED v4.1 MR Credit:** Environmental Product Declarations: EPD (1 point) - Sourcing of Raw Materials (up to 2 points) - Material Ingredients (1 point) - Construction and Demolition Waste Management (up to 2 points)
- **LEED v4 MR Credit:** Building Product Disclosure and Optimization: EPD (1 point) - Sourcing of Raw Materials (1 point) - Material Ingredients (1 point) - Construction and Demolition Waste Management (up to 2 points) - Innovation Credit (up to 2 points).



- Vertical movement up to 2-1/2" (1-1/4" up and 1-1/4" down).
- Fast Strut™ allows for standoff from the primary frame.
- Proprietary Deflection Screws (included) provide frictionless slip connection.
- U.S. Patent No. 6,688,069

