

FastClip™ 3-1/2" Slide Clip (FCSC)

14ga (68mils) 3-1/2" long vertical slide deflection clip

ClarkDietrich FastClip Slide Clip deflection clips are used to attach exterior curtainwall studs to the building structure and provide for vertical building movement independent of the cold-formed steel framing. A FastClip deflection clip installs quickly with screws or powder-actuated fasteners, and provides adjustable standoff to ensure a plumb wall plane. Proprietary Deflection Screws are provided with each clip to ensure friction-free sliding. Each clip is also embossed with fastening patterns to ensure accurate placement of fasteners.

For allowable loads for multiple connection options, reference the Clip & Connector Catalog or www.clarkdietrich.com/FastClip for more information.

Product Data & Ordering Information:

Material	Structural Grade 50 Type H (ST50H), 50ksi (340 MPa)
Dimensions	1-1/2" x 3-1/2" x 4-1/2" (38.1mm x 88.9 x 114.5mm)
Thickness	14ga (68mils), 0.0713" Design thickness, 0.0677" Min. thickness
Coating	G90 (Z275) hot-dipped galvanized coating
Product weight	0.550 lb/piece
Packaging	25 pieces per box. Includes 55 Proprietary Deflection Screws per box.

Code Approvals & Performance Standards

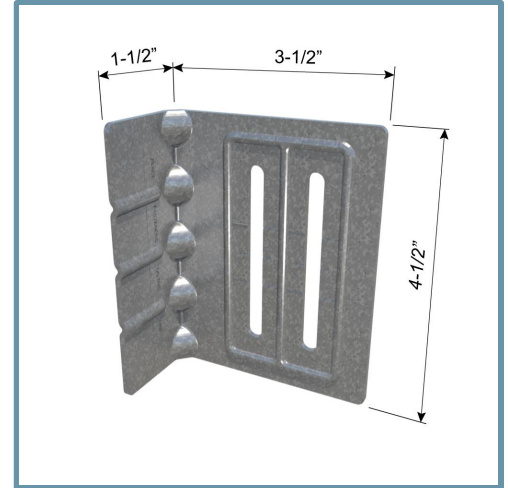
- [ASTM A653](#) Standard Specification for Steel Sheet, Zinc-Coated (Galvanized) or Zinc-Iron Alloy-Coated (Galvannealed) by the Hot-Dip Process
- [ASTM A1003](#) Standard Specification for Steel Sheet, Carbon, Metallic- and Nonmetallic-Coated for Cold-Formed Framing Members
- [Intertek CCRR-0208](#) FastClip (FCSC) (FCEC) & Universal Bypass Clip (UBC)
 - 68mil (14GA) system meets Intertek CCRR-0208
- [SFIA Connector](#) Code Compliance Certification Program
- [SDS For ASTM A1003 Steel Framing Products](#) For Interior Framing, Exterior Framing and Clips/Accessories

Alternative Products:

- [Universal Bypass Clips \(UBC\)](#), [EXTENDED Fast Clip™](#), [Fast Strut™](#)

Sustainability Credits For more details and LEED letters contact Technical Services at 888-437-3244 or visit clarkdietrich.com/LEED.

- **LEED v4.1 MR Credit:** Environmental Product Declarations: EPD (1 point) - Sourcing of Raw Materials (up to 2 points) - Material Ingredients (1 point) - Construction and Demolition Waste Management (up to 2 points)
- **LEED v4 MR Credit:** Building Product Disclosure and Optimization: EPD (1 point) - Sourcing of Raw Materials (1 point) - Material Ingredients (1 point) - Construction and Demolition Waste Management (up to 2 points) - Innovation Credit (up to 2 points).



- Vertical movement up to 3" (1-1/2" up and 1-1/2" down).
- 3-1/2" FastClip™ permits up to 2" of standoff from the primary frame.
- Proprietary Deflection Screws (included) provide frictionless slip connection.
- U.S. Patent No. 6,688,069

