

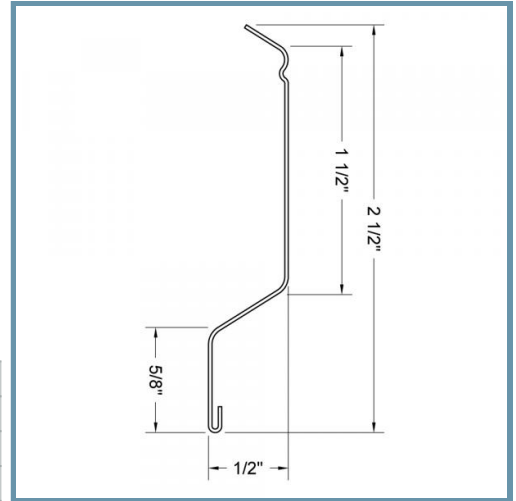
RC Deluxe™ Resilient Channel (RCSD)

Single Leg resilient channel

Made of 22mil steel (RC Deluxe) is one of the most effective, low-cost methods of improving sound transmission loss through wood and steel frame partitions. RC Deluxe is the preferred resilient channel because of its extra-wide 1-1/2" flange for the installation of the gypsum board. Resilient channel should be installed perpendicular to the framing members with the attachment flange of the RC Deluxe installed along the bottom edge. Channel is pre-punched for screw attachments to wood or steel framing members. Nails are not recommended for attaching RC Deluxe resilient channel to framing members. No more than 7.5 lbs/sf of gypsum panels should be installed to resilient furring channel for wall or ceiling applications. For reference, common 5/8" thick gypsum panels weigh upwards of 2.5 lbs/sf.

Product Data & Ordering Information:

Material:	Grade 33ksi min. yield strength
Coating:	G40EQ (G40 or G60 available)
Thickness:	22mil, 0.0232" Design Thickness, 0.022" Min. Thickness
Dimensions:	2-1/2" x 1/2" Deep
Stock lengths:	Stock Lengths: 12'-0" long
Packaging weight:	0.220lbs each or 220lbs/1000ft.



- Reduces sound transmissions
- Pre-punched for screws
- Complies to UL 263
- Ink jetted to assist in proper installation orientation

RC Deluxe™ STC Sound Assemblies on 3-5/8" ProSTUD®

Source Room Side	Receiving Room Side on RC Deluxe	ProSTUD 25 (15 mil)	ProSTUD 20 (18mil)	ProSTUD 30mil	ProSTUD 33mil
(1) layer 5/8" Type X	(1) layer 5/8" Type X	54	53	48	50
(1) layer 5/8" Type X	(2) layers 5/8" Type X	59	58	55	56
(2) layers 5/8" Type X	(2) layers 5/8" Type X	62	60	58	58

1. Sound Assemblies are certified by Western Electro-Acoustical Laboratories
2. NVLAP Accredited for ASTM E90 & E413, ISO Certified
3. See STC test reports at www.clarkdietrich.com/ProSTUD for detailed requirements of construction of wall assembly.
4. Tables based on stud spacing of 24" o.c. with R-13 unfaced insulation.

Code Approvals & Performance Standards

- [ASTM A924](#) Standard Specification for General Requirements for Steel Sheet, Metallic - Coated by the Hot-Dip Process
- [ASTM A1003](#) Standard Specification for Steel Sheet, Carbon, Metallic- and Nonmetallic-Coated for Cold-Formed Framing Members
- [ASTM C645](#) Standard Specification for Nonstructural Steel Framing Members
- [ASTM C754](#) Standard Specification for Installation of Steel Framing Members to Receive Screw-Attached Gypsum Panel Products
- [UL File Number R19331](#) Full list of ProSTUD, Spazzer, Resilient Channel, Sound Clip and Barrier Mesh UL design assemblies
- [SDS For ASTM A1003 Steel Framing Products](#) For Interior Framing, Exterior Framing and Clips/Accessories



Sustainability Credits For more details and LEED letters contact Technical Services at 888-437-3244 or visit clarkdietrich.com/LEED.

- **LEED v4.1 MR Credit:** Environmental Product Declarations: EPD (1 point) - Sourcing of Raw Materials (up to 2 points) - Material Ingredients (1 point) - Construction and Demolition Waste Management (up to 2 points)
- **LEED v4 MR Credit:** Building Product Disclosure and Optimization: EPD (1 point) - Sourcing of Raw Materials (1 point) - Material Ingredients (1 point) - Construction and Demolition Waste Management (up to 2 points) - Innovation Credit (up to 2 points).