

## 1-1/2" U-Channel (CRC) 150U50-54

**54mil (16ga) 33ksi**

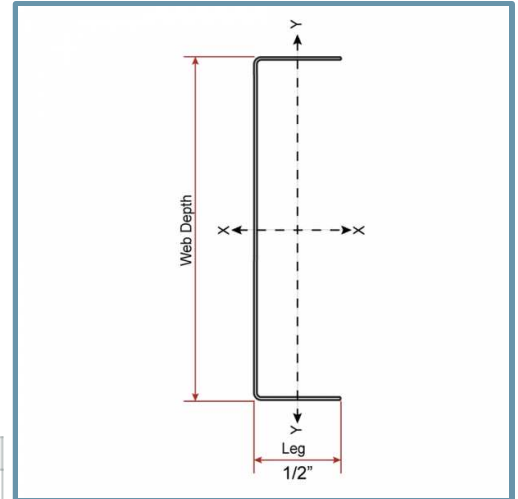
### Used in framing applications:

- Furring for metal lath systems
- Drop down ceilings
- Lateral bracing in walls

### Geometric Properties

**Web Depth:** 1.500 in  
**Leg Width:** 0.500 in

**Design Thickness:** 0.0566 in  
**Min. steel thickness:** 0.0538 in

**Ultimate, Fu:** 45 ksi  
**Yield stress, Fy:** 33ksi  
 \*Fy with Cold-Work, Fya 39.4 ksi


Gross Section Properties of Full Section, Strong Axis	
Cross sectional area (A)	0.130 in <sup>2</sup>
Member weight per foot of length	0.441 lb/ft
Moment of inertia (Ix)	0.039 in <sup>4</sup>
Radius of gyration (Rx)	0.549 in
Gross moment of inertia (Iy)	0.003 in <sup>4</sup>
Gross radius of gyration (Ry)	0.146 in
Effective Section Properties, Strong Axis	
Moment of inertia for deflection (Ix)	0.039 in <sup>4</sup>
Section modulus (Sx)	0.039 in <sup>4</sup>
Section modulus (Sx)	0.052 in <sup>3</sup>
Allowable bending moment (Ma)	1.230 in-k
Allowable shear force (Va)	840 lb



### Product Data & Ordering Information:

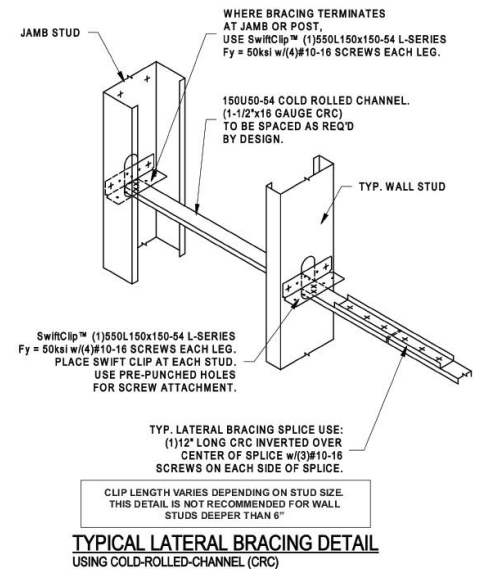
**Coating:** G40, CP60 or G90 **Color coding:** Green **Stock length:** 16'-0" long pieces (Custom length available by special orders) **Packaging:** 10 pieces per bundle - 240 pieces per pallet **Packaging weight:** 71 lbs/bundle

### Code Approvals & Performance Standards

- **AISI S100-16 (2020) w/S2-20** North American Specification for the Design of Cold-Formed Steel Structural Members
- **AISI S240-20** North American Standard for Cold-Formed Steel Structural Framing
  - (Compliant to ASTM C955, but IBC replaced with AISI S200 in IBC 2015, AISI S240 in IBC 2018)
  - Section A3 Material - Chemical & mechanical requirements (Referencing ASTM A1003/A1003M)
  - Section A4 Corrosion Protection (Referencing ASTM A653/A653M)
  - Section C Installation - (Referencing ASTM C1007)
- **SDS For ASTM A1003 Steel Framing Products** For Interior Framing, Exterior Framing and Clips/Accessories

**Sustainability Credits** For more details and LEED letters contact Technical Services at 888-437-3244 or visit [clarkdietrich.com/LEED](http://clarkdietrich.com/LEED).

- **LEED v4.1 MR Credit:** Environmental Product Declarations: EPD (1 point) - Sourcing of Raw Materials (up to 2 points) - Material Ingredients (1 point) - Construction and Demolition Waste Management (up to 2 points)
- **LEED v4 MR Credit:** Building Product Disclosure and Optimization: EPD (1 point) - Sourcing of Raw Materials (1 point) - Material Ingredients (1 point) - Construction and Demolition Waste Management (up to 2 points) - Innovation Credit (up to 2 points).



For more ClarkDietrich CAD details see:  
[cad.clarkdietrich.com](http://cad.clarkdietrich.com)