

ICC-ES Evaluation Report

ESR-2272

Reissued December 2024

This report also contains:



- [City of LA Supplement](#)

Subject to renewal December 2025

- [FL Supplement w/ HVHZ](#)

ICC-ES Evaluation Reports are not to be construed as representing aesthetics or any other attributes not specifically addressed, nor are they to be construed as an endorsement of the subject of the report or a recommendation for its use. There is no warranty by ICC Evaluation Service, LLC, express or implied, as to any finding or other matter in this report, or as to any product covered by the report.

Copyright © 2024 ICC Evaluation Service, LLC. All rights reserved.

<p>DIVISION: 03 00 00— CONCRETE</p> <p>Section: 03 16 00— Concrete Anchors</p> <p>DIVISION: 05 00 00— METALS</p> <p>Section: 05 05 19—Post- Installed Concrete Anchors</p>	<p>REPORT HOLDER:</p> <p>DEWALT</p> 	<p>EVALUATION SUBJECT:</p> <p>SNAKE+™ ANCHORS IN CRACKED AND UNCRAKED CONCRETE (DEWALT)</p>	
----------------------------------------------------------------------------------------------------------------------------------------------------------------------------------------------------------------------------	-------------------------------------------------------------------------------------------------------------------------------------	-----------------------------------------------------------------------------------------------------------------------	-------------------------------------------------------------------------------------

1.0 EVALUATION SCOPE

Compliance with the following codes:

- 2024, 2021, 2018, and 2015 [International Building Code® \(IBC\)](#)
- 2024, 2021, 2018, and 2015 [International Residential Code® \(IRC\)](#)

Main references of this report are for the 2024 IBC and IRC. See [Table 5](#) and [Table 6](#) for applicable sections of the code for previous IBC and IRC editions.

Property evaluated:

- Structural

2.0 USES

The Snake+ anchor is used as anchorage to resist static, wind and seismic tension and shear loads in cracked and uncracked normal-weight concrete and lightweight concrete having a specified compressive strength, f'_c , of 2,500 psi to 8,500 psi (17.2 MPa to 58.6 MPa).

The $\frac{3}{8}$ -inch-diameter (9.5 mm) anchors may be installed in the topside of cracked and uncracked normal-weight or sand-lightweight concrete-filled steel deck having a minimum specified compressive strength, f'_c , of 2,500 psi to 8,500 psi (17.2 MPa to 58.6 MPa).

The $\frac{3}{8}$ -inch- and $\frac{1}{2}$ -inch-diameter (9.5 mm and 12.7 mm) anchors may be installed in the soffit of cracked and uncracked normal-weight or sand-lightweight concrete-filled steel deck having a minimum specified compressive strength, f'_c , of 3,000 psi (20.7 MPa).

The Snake+ anchors are an alternative to anchors described in Section 1901.3 of the 2024 IBC. The anchors may also be used where an engineered design is submitted in accordance with Section R301.1.3 of the IRC.

3.0 DESCRIPTION

3.1 Snake+ Anchors:

Snake+ anchors are one-piece, internally threaded screw anchors which receive threaded steel inserts such as threaded rods and bolts in $\frac{3}{8}$ -inch and $\frac{1}{2}$ -inch diameters.

Available nominal sizes are $\frac{3}{8}$ -inch and $\frac{1}{2}$ -inch. The anchors are manufactured from carbon steel, which are case hardened and have a minimum 0.0002-inch (5 μ m) zinc plating in accordance with ASTM B633. The Snake+ anchor is illustrated in [Figure 1](#).

The anchors are installed in predrilled holes with a powered impact wrench. The threads on the anchor body tap into the sides of the predrilled hole and interlock with the base material during installation.

3.2 Steel Insert Elements:

Threaded steel insert elements must be threaded into the Snake+ Anchors to form a connection. The material properties of the steel insert elements must comply with the minimum specifications as given in [Table 2](#) of this report, or an equivalent.

3.3 Concrete:

Normal-weight and lightweight concrete must comply with Sections 1903 and 1905 of the 2024 IBC.

3.4 Steel Deck Panels:

Steel deck panels must comply with the configuration in [Figure 4](#) and [5](#) and have a minimum base-metal thickness of 0.035 inch (0.89 mm) [No. 20 gage]. Steel must comply with ASTM A653/A653M SS Grade 36, and it must have a minimum yield strength of 36 ksi (248 MPa).

4.0 DESIGN AND INSTALLATION:

4.1 Strength Design:

4.1.1 General: Design strength of anchors complying with the 2024 IBC, as well as Section R301.1.3 of the 2024 IRC must be determined in accordance with ACI 318-19 Chapter 17 and this report.

Design parameters are based on the 2024 IBC (ACI 318-19) unless noted otherwise in Sections 4.1.1 through 4.1.12 of this report.

The strength design of anchors must comply with ACI 318-19 Section 17.5.1.2, except as required in ACI 318-19 Section 17.10. Strength reduction factors, ϕ , as given in ACI 318-19 Section 17.5.3 and noted in [Tables 2](#) and [3](#), must be used for load combinations calculated in accordance with Section 1605.1 of the 2024 IBC or Section 5.3 of ACI 318-19. Strength reduction factors, ϕ , corresponding to brittle steel elements must be used.

4.1.2 Requirements for Static Steel Strength in Tension, N_{sa} : The nominal static steel strength of a single anchor in tension, N_{sa} , calculated in accordance with ACI 318-19 Section 17.6.1.2 is given in [Table 2](#) of this report.

4.1.3 Requirements for Static Concrete Breakout Strength in Tension N_{cb} or N_{cbg} : The nominal concrete breakout strength of a single anchor or a group of anchors in tension, N_{cb} or N_{cbg} , respectively, must be calculated in accordance with ACI 318-19 Section 17.6.2, with modifications as described in this section. The basic concrete breakout strength of a single anchor in tension, N_b , must be calculated in accordance with ACI 318-19 Section 17.6.2.2, using the values of h_{ef} and K_{cr} as given in [Table 2](#) of this report. The nominal concrete breakout strength in tension in regions where analysis indicates no cracking in accordance with ACI 318-19 Section 17.6.2.5.1(a) must be calculated with the value of k_{uncr} as given in [Table 2](#) and with $\psi_{c,N} = 1.0$.

For anchors installed in the soffit of sand-lightweight or normal-weight concrete filled steel deck floor and roof assemblies, as shown in [Figure 5](#), calculation of the concrete breakout strength in accordance with ACI 318-19 Section 17.6.2 is not required.

4.1.4 Requirements for Static Pullout Strength in Tension, N_{pn} : The nominal pullout strength of a single anchor in cracked and uncracked concrete, $N_{p,cr}$ and $N_{p,uncr}$, respectively, in accordance with ACI 318-19 Sections 17.6.3.1 and 17.6.3.2.1, is provided in [Table 2](#).

The nominal pullout strength in tension of the anchors installed in the soffit of sand-lightweight or normal-weight concrete filled steel deck floor and roof assemblies, as shown in [Figure 5](#), is provided in [Table 2](#). In accordance with ACI 318-19 Section 17.6.3.2.1, the nominal pullout strength in cracked concrete must be calculated according to Eq-1:

$$N_{p,f_c} = N_{p,deck,cr} \sqrt{\frac{f_c'}{3,000}} \quad (\text{lb, psi}) \quad (\text{Eq-1})$$

$$N_{p,f_c} = N_{p,deck,cr} \sqrt{\frac{f_c'}{20.7}} \quad (\text{N, MPa})$$

where f_c' is the specified concrete compressive strength.

In regions where analysis indicates no cracking in accordance with ACI 318-19 Section 17.6.3.3, the nominal pullout strength in tension can be adjusted by calculation according to Eq-2:

$$N_{p,f_c'} = N_{p,deck,uncr} \sqrt{\frac{f_c'}{3,000}} \quad (\text{lb, psi}) \quad (\text{Eq-2})$$

$$N_{p,f_c'} = N_{p,deck,uncr} \sqrt{\frac{f_c'}{20.7}} \quad (\text{N, MPa})$$

where f_c' is the specified concrete compressive strength.

4.1.5 Requirements for Static Steel Shear Capacity, V_{sa} : The nominal steel strength in shear, V_{sa} , of a single anchor in accordance with ACI 318-19 Section 17.7.1.2 is given in [Table 3](#) of this report and must be used in lieu of the values derived by calculation from ACI 318-19 Eq. 17.7.1.2b.

The shear strength, $V_{sa,deck}$, of anchors installed in the soffit of sand-lightweight or normal-weight concrete filled steel deck floor and roof assemblies, as shown in [Figure 5](#), is given in [Table 3](#).

4.1.6 Requirements for Static Concrete Breakout Strength in Shear, V_{cb} or V_{cbg} : The nominal concrete breakout strength of a single anchor or group of anchors in shear, V_{cb} or V_{cbg} , respectively, must be calculated in accordance with ACI 318-19 Section 17.7.2, with modifications as described in this section. The basic concrete breakout strength of a single anchor in shear, V_b , must be calculated in accordance with ACI 318-19 Section 17.7.2.2.1, using the value of ℓ_e and d_a given in [Table 3](#) of this report.

For anchors installed in the topside of concrete-filled steel deck assemblies, as shown in [Figure 4](#), the nominal concrete breakout strength of a single anchor or group of anchors in shear, V_{cb} or V_{cbg} , respectively, must be calculated in accordance with ACI 318-19 Section 17.7.2, using the actual member thickness, $h_{min,deck}$, in the determination of A_{vc} . Minimum member topping thickness for anchors in the topside of concrete-filled steel deck assemblies is given in [Table 1](#) of this report.

For anchors installed in the soffit of sand-lightweight or normal-weight concrete filled steel deck floor and roof assemblies, as shown in [Figure 5](#), calculation of the concrete breakout strength in accordance with ACI 318-19 Section 17.7.2 is not required.

4.1.7 Requirements for Static Concrete Pryout Strength in Shear, V_{cp} or V_{cpg} : The nominal concrete pryout strength of a single anchor or group of anchors, V_{cp} or V_{cpg} , respectively, must be calculated in accordance with ACI 318-19 Section 17.7.3, modified by using the value of k_{cp} described in [Table 3](#) of this report and the value of N_{cb} or N_{cbg} as calculated in Section 4.1.3 of this report.

For anchors installed in the soffit of sand-lightweight or normal-weight concrete-filled steel deck floor and roof assemblies, as shown in [Figure 5](#), calculation of the concrete pryout strength in accordance with ACI 318-19 Section 17.7.3 is not required.

4.1.8 Requirements for Seismic Design:

4.1.8.1 General: For load combinations including seismic loads, the design must be performed in accordance with ACI 318-19 Section 17.10. Modifications to ACI 318-19 Section 17.10 must be applied under Section 1905.7 of the 2024 IBC.

The nominal steel strength and nominal concrete breakout strength for anchors in tension, and the nominal concrete breakout strength and pryout strength for anchors in shear, must be calculated according to ACI 318-19 Sections 17.6 and 17.7, respectively, taking into account the corresponding values given in [Tables 2](#) and [3](#) of this report.

The anchors comply with ACI 318-19 Section 2.3 as brittle steel elements and must be designed in accordance with ACI 318-19 Sections 17.10.4, 17.10.5, 17.10.6 and 17.10.7. Strength reduction factors, ϕ , are given in [Table 2](#) and [Table 3](#).

The $3/8$ -inch and $1/2$ -inch anchors may be installed in regions designated as IBC Seismic Design Categories A through F.

4.1.8.2 Seismic Tension: The nominal steel strength and nominal concrete breakout strength for anchors in tension must be calculated according to ACI 318-19 Sections 17.6.1 and 17.6.2, respectively, as described in Sections 4.1.3 and 4.1.4 of this report. In accordance with ACI 318-19 Section 17.6.3.2.1, the appropriate value for pullout strength in tension for seismic loads, $N_{p,eq}$ or $N_{p,deck,eq}$, described in [Table 2](#) of this report, must be used in lieu of N_p . $N_{p,eq}$ or $N_{p,deck,eq}$ may be adjusted by calculations for concrete compressive strength in accordance with Eq-1 of this report.

Where values for $N_{p,eq}$ are not provided in [Table 2](#), the pullout strength in tension for seismic loads need not be evaluated.

4.1.8.3 Seismic Shear: The nominal concrete breakout strength and pryout strength for anchors in shear must be calculated according to ACI 318-19 Sections 17.7.2 and 17.7.3, respectively, as described in Sections 4.1.6 and 4.1.7 of this report. In accordance with ACI 318-19 Section 17.7.1.2, the appropriate value for nominal steel strength in shear for seismic loads, $V_{sa,eq}$ or $V_{sa,deck,eq}$, described in [Table 3](#) of this report, must be used in lieu of V_{sa} .

4.1.9 Requirements for the Interaction of Tensile and Shear Forces: Anchors or groups of anchors that are subject to the effects of combined axial (tensile) and shear forces must be designed in accordance with ACI 318-19 Section 17.8.

4.1.10 Requirements for Critical Edge Distance, c_{ac} : In applications where $c < c_{ac}$ and supplemental reinforcement to control splitting of the concrete is not present, the concrete breakout strength in tension for uncracked concrete, calculated according to ACI 318-19 Section 17.6.2, must be further multiplied by the factor $\psi_{cp,N}$ given by Eq-3:

$$\psi_{cp,N} = \frac{c}{c_{ac}} \quad (\text{Eq-3})$$

whereby the factor $\psi_{cp,N}$ need not be taken less than $\frac{1.5h_{ef}}{c_{ac}}$.

For all other cases, $\psi_{cp,N} = 1.0$. In lieu of using ACI 318-19 Section 17.9.5, values of c_{ac} provided in [Table 2](#) of this report must be used.

4.1.11 Requirements for Minimum Member Thickness, Minimum Anchor Spacing and Minimum Edge Distance: In lieu of ACI 318-19 Section 17.9.2, values of s_{min} and c_{min} must comply with [Table 1](#) of this report. In lieu of ACI 318-19 Section 17.9.4, the minimum member thicknesses, h_{min} , as given in [Table 1](#) must be used.

For anchors installed in the topside of concrete-filled steel deck assemblies, the anchors must be installed in accordance with [Table 1](#) and [Figure 4](#).

For anchors installed through the soffit of steel deck assemblies, the anchors must be installed in accordance with [Figure 5](#) and must have an axial spacing along the flute equal to the greater of $3h_{ef}$ or 1.5 times the flute width.

4.1.12 Lightweight Concrete: For the use of anchors in lightweight concrete, the modification factor λ_a equal to 0.8λ is applied to all values of $\sqrt{f'_c}$ affecting N_n and V_n .

The value of λ must be determined in accordance with ACI 318-19.

For anchors installed in the soffit of sand-lightweight concrete-filled steel deck and floor and roof assemblies, further reduction of the pullout values provided in this report is not required.

4.2 Allowable Stress Design (ASD):

4.2.1 General: Where design values for use with allowable stress design load combinations in accordance with Section 1605.1 of the 2024 IBC are required, these are calculated using Eq-4 and Eq-5 as follows:

$$T_{allowable,ASD} = \phi N_n / \alpha \quad (\text{Eq-4})$$

$$V_{allowable,ASD} = \phi V_n / \alpha \quad (\text{Eq-5})$$

where:

$T_{allowable,ASD}$ = Allowable tension load (lbf or kN)

$V_{allowable,ASD}$ = Allowable shear load (lbf or kN)

ϕN_n = Lowest design strength of an anchor or anchor group in tension as determined in accordance with ACI 318-19 Chapter 17 and 2024 IBC Section 1905.7, and Section 4.1 of this report, as applicable (lbf or kN).

ϕV_n = Lowest design strength of an anchor or anchor group in shear as determined in accordance with ACI 318-19 Chapter 17 and 2024 IBC Section 1905.7, and Section 4.1 of this report, as applicable (lbf or kN).

A = Conversion factor calculated as a weighted average of the load factors for the controlling load combination. In addition, α must include all applicable factors to account for nonductile failure modes and required over-strength.

The requirements for member thickness, edge distance and anchor spacing, described in this report, must apply. An example of allowable stress design tension values for illustrative purposes is shown in [Table 4](#).

4.2.2 Interaction of Tensile and Shear Forces: The interaction must be calculated and consistent with ACI 318-19 Section 17.8, as follows:

For shear loads $V_{applied} \leq 0.2V_{allowable,ASD}$, the full allowable load in tension $T_{allowable,ASD}$ must be permitted.

For tension loads $T_{applied} \leq 0.2T_{allowable,ASD}$, the full allowable load in shear $V_{allowable,ASD}$ must be permitted.

$$\text{For all other cases: } \frac{T_{applied}}{T_{allowable,ASD}} + \frac{V_{applied}}{V_{allowable,ASD}} \leq 1.2 \quad (\text{Eq-6})$$

4.3 Installation:

Installation parameters are provided in [Table 1](#), and [Figures 2, 3, 4](#), and [5](#). The Snake+ anchor must be installed according to manufacturer's published installation instructions and this report. Anchors must be installed in holes drilled into concrete using carbide-tipped masonry drill bits complying with ANSI B212.15-1994. The drill bit size and drilled hole depth must be in accordance with [Table 1](#). The anchors must be installed in drilled holes with a powered impact screwdriver and fitted with a Snake+ setting tool supplied by DEWALT. The allowable ranges of installation parameters for the Snake+ anchors using powered impact screwdriver are given in [Table 1](#). The anchors must be driven until the shoulder of the Snake+ setting tool comes into contact with the surface of the concrete. The minimum thread engagement of a threaded rod or bolt insert element assembly into the Snake+ anchor must be full anchor depth.

For installation in the topside of concrete-filled steel deck assemblies, installation must comply with [Figure 4](#).

For installation in the soffit of concrete-filled steel deck assemblies, the hole in the steel deck may not be more than $\frac{1}{8}$ inch (3.2 mm) larger than the diameter of the hole in the concrete. Member thickness and edge distance restrictions for installations in the soffit of concrete-filled steel deck assemblies must comply with [Figure 5](#).

4.4 Special Inspection:

Special inspection is required in accordance with Section 1705.1.1 and Table 1705.3 of the 2024 IBC. The special inspector must make periodic inspections during anchor installation to verify anchor type, anchor dimensions, concrete type, concrete compressive strength, hole dimensions, drill bit size, anchor spacing, edge distances, concrete thickness, anchor embedment and adherence to the manufacturer's printed installation instructions. The special inspector must be present as often as required in accordance with the "Statement of Special Inspection".

5.0 CONDITIONS OF USE:

The Snake+ anchors described in this report are suitable alternatives to what is specified in, those codes indicated in Section 1.0 of this report, subject to the following conditions:

- 5.1 The anchors must be installed in accordance with the manufacturer's published installation instructions and this report. In case of conflict, this report governs.
- 5.2 Anchor sizes, dimensions and minimum embedment depths are as set forth in this report.
- 5.3 Anchors must be installed in cracked and uncracked normal-weight concrete and lightweight concrete having a specified compressive strength, f'_c , of 2,500 psi to 8,500 psi (17.2 MPa to 58.6 MPa), and cracked and uncracked normal-weight or sand-lightweight concrete over steel deck having a minimum specified compressive strength, f'_c , of 3,000 psi (20.7 MPa).
- 5.4 The 3/8-inch (9.5 mm) anchors may be installed in the topside of cracked and uncracked normal-weight or sand-lightweight concrete-filled steel deck having a minimum specified compressive strength f'_c , of 2,500 psi to 8,500 psi (17.2 MPa to 58.6 MPa).
- 5.5 The values of f'_c used for calculation purposes must not exceed 8,000 psi (55.1 MPa); for redundant fastening (nonstructural) the values of f'_c used for calculation purposes must equal 2,500 psi (17.2 MPa).
- 5.6 Strength design values must be established in accordance with Section 4.1 of this report.
- 5.7 Allowable stress design values must be established in accordance with Section 4.2 of this report.
- 5.8 Redundant fastening design values must be established in accordance with Section 4.3 of this report.
- 5.9 Anchor spacing and edge distance, as well as minimum member thickness, must comply with [Table 1](#) and [Figures 4](#) and [5](#) of this report.
- 5.10 Prior to installation, calculations and details demonstrating compliance with this report must be submitted to the code official. The calculations and details must be prepared by a registered design professional where required by the statutes of the jurisdiction in which the project is to be constructed.
- 5.11 Since an ICC-ES acceptance criteria for evaluating data to determine the performance of screw anchors subjected to fatigue or shock loading is unavailable at this time, the use of these anchors under such conditions is beyond the scope of this report.
- 5.12 Anchors may be installed in regions of concrete where cracking has occurred or where analysis indicates cracking may occur ($f_t > f_r$), subject to the conditions of this report.
- 5.13 The 3/8-inch- and 1/2-inch-diameter anchors may be used to resist short-term loading due to wind or seismic forces (Seismic Design Categories A through F under the IBC), subject to the conditions of this report.

5.14 Anchors are not permitted to support fire-resistance-rated construction. Where not otherwise prohibited by the code, anchors are permitted for installation in fire-resistance-rated construction provided that at least one of the following conditions is fulfilled:

- Anchors are used to resist wind or seismic forces only.
- Anchors that support gravity load-bearing structural elements are within a fire-resistance-rated envelope or a fire-resistance-rated membrane, are protected by approved fire-resistance-rated materials, or have been evaluated for resistance to fire exposure in accordance with recognized standards.
- Anchors are used to support nonstructural elements.

5.15 Snake+ anchors must not be removed from concrete and reused.

5.16 Anchors have been evaluated for reliability against brittle failure and found to be not significantly sensitive to stress-induced hydrogen embrittlement.

5.17 Special inspection must be provided in accordance with Section 4.5 of this report.

5.18 Use of anchors is limited to dry, interior locations.

5.19 Anchors are manufactured under an approved quality-control program with inspections by ICC-ES.

6.0 EVIDENCE SUBMITTED

Data in accordance with the [ICC-ES Acceptance Criteria for Mechanical Anchors in Concrete Elements \(AC193\)](#), dated July 2024, which incorporates requirements in ACI 355.2 (-19 and -07) for use in cracked and uncracked concrete; including optional suitability tests 12 and 13 (AC193, Table 4.2) for seismic tension and shear; and quality control documentation.

7.0 IDENTIFICATION

7.1 Product labeling must include, the name of the report holder or listee, and the ICC-ES mark of conformity. The listing or evaluation report number (ICC-ES ESR-2272) may be used in lieu of the mark of conformity. The Snake+ anchors are identified in the field by their dimensional characteristics and packaging. Packages are identified with the anchor name, part number, type and size as set forth in Section 3.1 of this report, and the evaluation report number (ESR-2272).

7.2 The report holder's contact information is the following:

DEWALT
701 EAST JOPPA ROAD
TOWSON, MARYLAND 21286
(800) 524-3244
www.DEWALT.com
anchors@DEWALT.com

TABLE 1—SNAKE+ ANCHOR INSTALLATION SPECIFICATIONS¹

Anchor Property / Setting Information	Symbol	Units	Nominal Anchor Size / Threaded Coupler Diameter (inch)	
			³ / ₈	¹ / ₂
Nominal outside anchor diameter	d_a	in.	0.500	0.750
Internal thread diameter (UNC)	d	in.	0.375	0.500
Minimum diameter of hole clearance in fixture for steel insert element (following anchor installation)	d_h	in.	⁷ / ₁₆	⁹ / ₁₆
Nominal drill bit diameter (ANSI)	d_{bit}	in.	¹ / ₂	³ / ₄
Minimum nominal embedment depth	h_{nom}	in.	1 ⁵ / ₈	2 ³ / ₁₆
Effective embedment	h_{ef}	in.	1.10	1.54
Minimum hole depth	h_{hole}	in.	2	2 ¹ / ₂
Overall anchor length	l_{anch}	in.	1 ¹ / ₄	1 ¹¹ / ₁₆
Maximum impact screwdriver power (torque)	T_{screw}	ft.-lb.	345	345
Maximum tightening torque of steel insert element (threaded rod or bolt)	T_{max}	ft.-lb.	8	36
Anchors Installed in Concrete Construction²				
Minimum member thickness	h_{min}	in.	4	4
Minimum edge distance	c_{min}	in.	3	4
Minimum spacing distance	s_{min}	in.	3	4
Anchors installed in the Topside of Concrete-filled Steel Deck Assemblies³				
Minimum member topping thickness	$h_{min,deck}$	in.	3 ¹ / ₄	Not applicable
Minimum edge distance	$c_{min,deck,top}$	in.	3	Not applicable
Minimum spacing distance	$s_{min,deck,top}$	in.	3	Not applicable

For SI: 1 inch = 25.4 mm, 1 ft-lb = 1.356 N-m.

¹The information presented in this table is to be used in conjunction with the design criteria of ACI 318-19 Chapter 17.

²For ³/₈-inch diameter anchors installed in the topside of concrete-filled steel deck assemblies, see [Figure 4](#) of this report.

³For installations through the soffit of steel deck into concrete, see [Figure 5](#). Anchors in the lower flute may be installed with a maximum 1-inch offset in either direction from center of the flute. In addition, anchors must have an axial spacing along the flute a minimum 1.5 times the flute width.



FIGURE 1—SNAKE+ SCREW ANCHOR AND SETTING TOOL

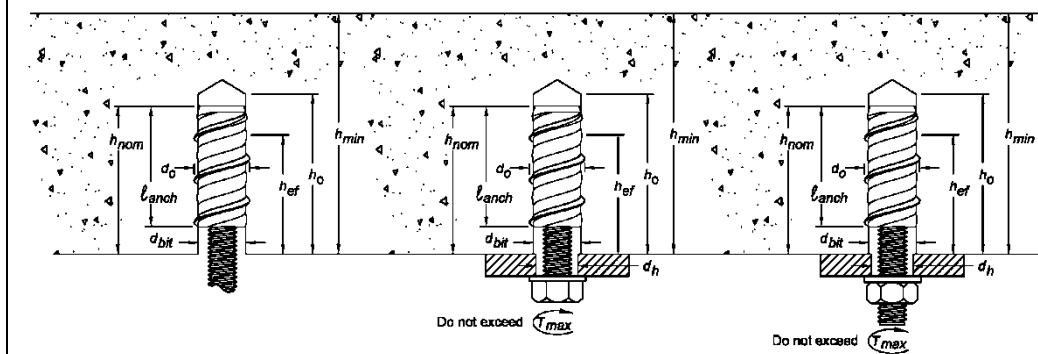
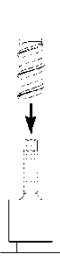


FIGURE 2—SNAKE+ SCREW ANCHOR INSTALLED WITH STEEL INSERT ELEMENT



1. Using the proper drill bit size, drill a hole into the base material to the required depth (e.g. dust extractor, hollow bit). The tolerances of the carbide drill bit used should meet the requirements of ANSI Standard B212.15.



2. Select a powered impact wrench that does not exceed the maximum torque, T_{screw} , for the selected anchor diameter. Attach the Snake+ setting tool supplied by the impact wrench. Mount the anchor onto the setting tool.

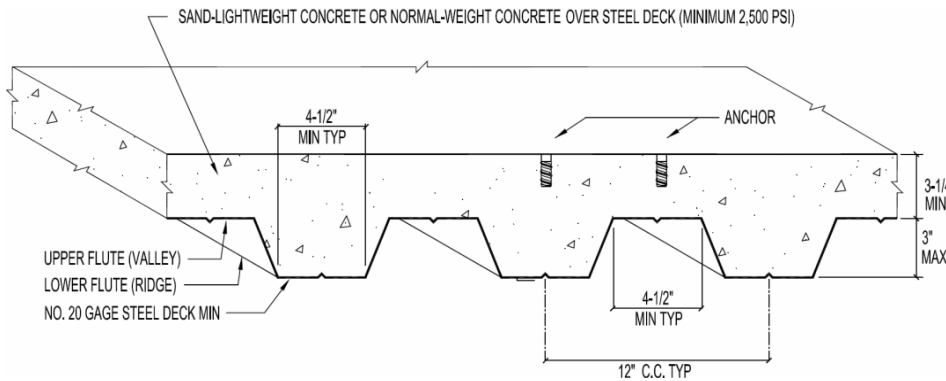


3. Drive the anchor into the hole to the required embedment until the shoulder of the Snake+ setting tool comes into contact with the surface of the base material. Do not spin the setting tool off the anchor to disengage.



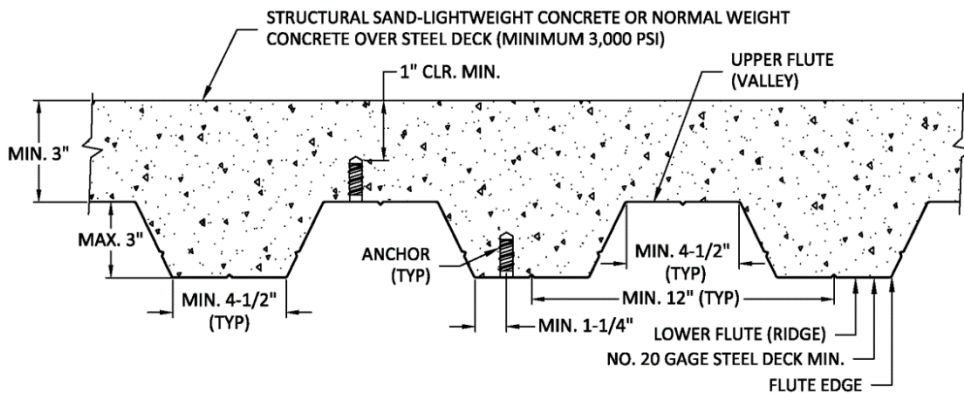
4. Insert threaded rod or a bolt into the Snake+, taking care not to exceed the maximum specified tightening torque of the steel insert element, T_{max} . Minimum thread engagement must be full anchor depth.

FIGURE 3—SNAKE+ SCREW ANCHOR INSTALLATION INSTRUCTIONS



¹ 3/8-inch diameter anchors may be placed in the topside of floor or roof steel deck profiles provided the minimum topping thickness, minimum spacing distance and minimum edge distance are satisfied as given in Table 1 of this report.

FIGURE 4—SNAKE+ INSTALLATION DETAIL FOR ANCHORS IN THE TOPSIDE OF CONCRETE-FILLED STEEL DECK ASSEMBLIES¹



¹ Anchors may be placed in the upper or lower flute of floor or roof steel deck profiles provided the minimum hole clearance is satisfied. Anchors in the lower flute may be installed with a maximum 1-inch offset in either direction from the center of the flute. The offset distance may be increased proportionally for profiles with lower flute widths greater than those shown provided the minimum lower flute edge distance is also satisfied.

FIGURE 5—SNAKE+ INSTALLATION DETAIL FOR ANCHORS IN THE SOFFIT OF CONCRETE OVER STEEL DECK ASSEMBLIES¹

TABLE 2—TENSION DESIGN INFORMATION FOR SNAKE+ ANCHORS IN CONCRETE^{1,2}

Design Characteristic	Notation	Units	Nominal Anchor Size / Threaded Coupler Diameter (in.)				
			3/8 inch		1/2 inch		
Anchor category	1, 2 or 3	-	1		1		
Nominal embedment depth	h_{nom}	in.	1 5/8		2 3/16		
STEEL STRENGTH IN TENSION (ACI 318-19 Section 17.6.1)⁴							
Minimum specified yield strength of steel insert element (threaded rod or bolt)	f_y	ksi	ASTM A36 36.0	ASTM A193, Gr. B7 105.0	ASTM A36 36.0		
Minimum specified ultimate strength of steel insert element (threaded rod or bolt)	f_{uta}	ksi	ASTM A36 58.0	ASTM A193, Gr. B7 125.0	ASTM A36 58.0		
Effective tensile stress area of steel insert element (threaded rod or bolt)	$A_{se,N}$	in ²	0.0775		0.1419		
Steel strength in tension	N_{sa}	lbf	ASTM A36 4,495	ASTM A193, Gr. B7 9,685	ASTM A36 8,230		
Reduction factor for steel strength ³	ϕ	-	0.65				
CONCRETE BREAKOUT STRENGTH IN TENSION (ACI 318-19 Section 17.6.2)⁸							
Effective embedment	h_{ef}	in.	1.10		1.54		
Effectiveness factor for uncracked concrete	k_{uncr}	-	24		30		
Effectiveness factor for cracked concrete	k_{cr}	-	17		24		
Modification factor for cracked and uncracked concrete ⁵	$\psi_{c,N}$	-	1.0 (see note 5)		1.0 (see note 5)		
Critical edge distance (uncracked concrete only)	c_{ac}	in.	3		4		
Reduction factor for concrete breakout strength ³	ϕ	-	0.65 (Condition B, supplementary reinforcement not present)				
PULLOUT STRENGTH IN TENSION (ACI 318-19 Section 17.6.3)⁸							
Characteristic pullout strength, uncracked concrete (2,500 psi)	$N_{p,uncr}$	lbf	See note 7		See note 7		
Characteristic pullout strength, cracked concrete (2,500 psi)	$N_{p,cr}$	lbf	See note 7		1,665		
Reduction factor for pullout strength ³	ϕ	-	0.65 (Condition B, supplementary reinforcement not present)				
PULLOUT STRENGTH IN TENSION FOR SEISMIC APPLICATIONS (ACI 318-19 Section 17.10.3)⁸							
Characteristic pullout strength, seismic (2,500 psi)	$N_{p,eq}$	lbf	See note 7		1,665		
Reduction factor for pullout strength, seismic ³	ϕ	-	0.65 (Condition B, supplementary reinforcement not present)				
PULLOUT STRENGTH IN TENSION FOR SOFFIT OF SAND-LIGHTWEIGHT AND NORMAL WEIGHT CONCRETE OVER STEEL DECK							
Characteristic pullout strength, uncracked concrete over steel deck ^{6,9}	$N_{p,deck,uncr}$	lbf	1,515		1,625		
Characteristic pullout strength, cracked concrete over steel deck ^{6,9}	$N_{p,deck,cr}$	lbf	1,075		1,300		
Characteristic pullout strength, concrete over steel deck, seismic ^{6,9}	$N_{p,deck,eq}$	lbf	1,075		1,300		
Reduction factor for pullout strength, concrete over steel deck ³	ϕ	-	0.65 (Condition B, supplementary reinforcement not present)				
Mean axial stiffness ¹⁰	Uncracked concrete	β	10 ³ lbf/in.	2800		545	
	Cracked concrete	β	10 ³ lbf/in.	900		160	

For SI: 1 inch = 25.4 mm, 1 ksi = 6.894 N/mm²; 1 lbf = 0.0044 kN.

¹The data in this table is intended to be used with the design provisions of ACI 318-19 Chapter 17; for anchors resisting seismic load combinations the additional requirements of ACI 318-19 Section 17.10 must apply.

²Installation must comply with published instructions and details.

³The strength reduction factor applies when the load combinations from the 2024 IBC or ACI 318-19 are used and the requirements of ACI 318-19 Section 17.5.3 are met.

⁴It is assumed that the threaded rod or bolt used with the Snake+ anchor is a ductile steel element with minimum specified properties as listed in the table or an equivalent steel element. The Snake+ anchors are considered a brittle steel element in tension as defined by ACI 318-19 Section 2.3. Tabulated values for steel strength in tension must be used for design.

⁵For all design cases use $\psi_{c,N} = 1.0$. The appropriate effectiveness factor for cracked concrete (k_{cr}) and uncracked concrete (k_{uncr}) must be used.

⁶For all design cases use $\psi_{c,p} = 1.0$. For calculation of N_{pn} , see Section 4.1.4 of this report.

⁷Pullout strength does not control design of indicated anchors. Do not calculate pullout strength for indicated anchor size and embedment.

⁸Anchors are permitted to be used in lightweight concrete in accordance with Section 4.1.12 of this report.

⁹Values for $N_{p,deck}$ are for sand-lightweight concrete ($f'_{c,min} = 3,000$ psi) and additional lightweight concrete reduction factors need not be applied. In addition, evaluation for the concrete breakout capacity in accordance with ACI 318-19 Section 17.6.2 is not required for anchors installed in the deck soffit (flute).

¹⁰Mean values shown, actual stiffness varies considerably depending on concrete strength, loading and geometry of application.

TABLE 3—SHEAR DESIGN INFORMATION FOR SNAKE+ ANCHORS IN CONCRETE^{1,2}

Design Characteristic	Notation	Units	Nominal Anchor Size / Threaded Coupler Diameter (in.)			
			³ / ₈ inch		¹ / ₂ inch	
Anchor category	1, 2 or 3	-	1		1	
Nominal embedment depth	h_{nom}	in.	¹ / ₈		² / ₁₆	
STEEL STRENGTH IN SHEAR (ACI 318-19 Section 17.7.1)⁴						
Steel strength in shear ⁵	V_{sa}	lbf	ASTM A36 770	ASTM A193, Gr. B7 1,655	ASTM A36 1,995	
Reduction factor for steel strength ³	ϕ	-	0.60			
STEEL STRENGTH IN SHEAR FOR SEISMIC APPLICATIONS (ACI 318-19 Section 17.10.3)						
Steel strength in shear, seismic ⁷	$V_{sa,eq}$	lbf	ASTM A36 770	ASTM A193, Gr. B7 1,655	ASTM A36 1,995	
Reduction factor for steel strength in shear, seismic ³	ϕ	-	0.60			
CONCRETE BREAKOUT IN SHEAR (ACI 318-19 Section 17.7.2)⁶						
Load bearing length of anchor	ℓ_e	in.	1.10		1.54	
Nominal outside anchor diameter	d_a	in.	0.500		0.750	
Reduction factor for concrete breakout strength ³	ϕ	-	0.70 (Condition B, supplementary reinforcement not present)			
PRYOUT STRENGTH IN SHEAR (ACI 318-19 Section 17.7.3)⁶						
Coefficient for pryout strength	k_{cp}	-	1.0		1.0	
Effective embedment	h_{ef}	in.	1.10		1.54	
Reduction factor for pryout strength ³	ϕ	-	0.70 (Condition B, supplementary reinforcement not present)			
STEEL STRENGTH IN SHEAR FOR SOFFIT OF SAND-LIGHTWEIGHT AND NORMAL WEIGHT CONCRETE OVER STEEL DECK⁹						
Steel strength in shear, concrete over steel deck ⁸	$V_{sa,deck}$	lbf	ASTM A36 770	ASTM A193, Gr. B7 1,655	ASTM A36 1,995	
Steel strength in shear, concrete over steel deck, seismic ⁸	$V_{sa,deck,eq}$	lbf	ASTM A36 770	ASTM A193, Gr. B7 1,655	ASTM A36 1,995	
Reduction factor for steel strength in shear, concrete over steel deck ³	ϕ	-	0.60			

For SI: 1 inch = 25.4 mm, 1 lbf = 0.0044 kN.

¹The data in this table is intended to be used with the design provisions of ACI 318-19 Chapter 17; for anchors resisting seismic load combinations the additional requirements of ACI 318-19 Section 17.10 must apply.

²Installation must comply with published instructions and details.

³The strength reduction factor applies when the load combinations from the 2024 IBC or ACI 318-19 are used and the requirements of ACI 318-19 Section 17.5.3 are met.

⁴It is assumed that the threaded rod or bolt used with the Snake+ anchor will be a ductile steel element as defined by ACI 318-19 Section 2.3.

⁵Tabulated values for steel strength in shear must be used for design. These tabulated values are lower than calculated results using ACI 318-19 equation 17.7.1.2b, and Section 17.7.1.2.

⁶Anchors are permitted to be used in lightweight concrete in accordance with Section 4.1.12 of this report.

⁷Tabulated values for steel strength in shear are for seismic applications and based on test results in accordance with ACI 355.2 Section 9.6.

⁸Tabulated values for $V_{sa,deck}$ are for sand-lightweight concrete ($f'_{c,min} = 3,000$ psi) and additional lightweight concrete reduction factors need not be applied. In addition, evaluation for the concrete breakout capacity in accordance with ACI 318-19 Section 17.7.2 and the pryout capacity in accordance with ACI 318-19 Section 17.7.3 are not required for anchors installed in the deck soffit (flute).

⁹Shear loads for anchors installed through steel deck into concrete may be applied in any direction.

TABLE 4—EXAMPLE ALLOWABLE STRESS DESIGN VALUES FOR ILLUSTRATIVE PURPOSES^{1,2,3,4,5,6,7,8,9}

Nominal Anchor Size (inches)	Steel Insert Element (ASTM) ¹⁰	Nominal Embedment Depth (inches)	Effective Embedment (inches)	Allowable Tension Load (pounds)
³ / ₈	A36	¹ / ₈	1.10	610
	A193, Gr. B7	¹ / ₈	1.10	610
¹ / ₂	A 36	² / ₁₆	1.54	1,260

For SI: 1 inch = 25.4 mm, 1 lbf = 0.0044 kN.

¹Single anchor with static tension load only.

²Concrete determined to remain uncracked for the life of the anchorage.

³Load combinations are taken from ACI 318-19 Section 5.3 (no seismic loading).

⁴Assumes 30% dead load and 70% live load, controlling load combination 1.2D + 1.6L.

⁵Calculation of weighted average for conversion factor $\alpha = 1.2(0.3) + 1.6(0.7) = 1.48$.

⁶ $f'_c = 2,500$ psi (normal weight concrete).

⁷ $C_{a1} = C_{a2} \geq C_{ac}$.

⁸ $h \geq h_{min}$.

⁹Values are for Condition B where supplementary reinforcement in accordance with ACI 318-19 Table 17.5.3(b) is not provided.

¹⁰The threaded rod or bolt used with the Snake+ anchor must have the minimum specified properties as listed in Table 2 or an equivalent steel element.

TABLE 5— APPLICABLE SECTIONS OF THE IBC UNDER EACH EDITION OF THE IBC

2024 IBC	2021 IBC	2018 IBC	2015 IBC
Section 1605.1		Section 1605.2 or 1605.3	
Section 1705.1.1 and Table 1705.3			
Section 1901.3			
Sections 1903 and 1905			
Section 1905.7	Section 1905.1.8		

TABLE 6— APPLICABLE SECTIONS OF ACI 318 UNDER EACH EDITION OF THE IBC

2024 IBC	2021 IBC	2018 IBC	2015 IBC
ACI 318-19		ACI 318-14	
2.3			2.3
5.3			5.3
Chapter 17			Chapter 17
17.5.1.2			17.3.1
17.5.3			17.3.3
17.5.3(b)			17.3.3(c)
17.6			17.4
17.6.1			17.4.1
17.6.1.2			17.4.1.2
17.6.2			17.4.2
17.6.2.2			17.4.2.2
17.6.2.5.1(a)			17.4.2.6
17.6.3			17.4.3
17.6.3.1			17.4.3.1
17.6.3.2.1			17.4.3.2
17.6.3.3			17.4.3.6
17.7			17.5
17.7.1			17.5.1
17.7.1.2			17.5.1.2
Eq. 17.7.1.2b			Eq. 17.5.1.2b
17.7.2			17.5.2
17.7.2.2.1			17.5.2.2
17.7.3			17.5.3
17.8			17.6
17.9.2			17.7.1 and 17.7.3
17.9.4			17.7.5
17.9.5			17.7.6
17.10			17.2.3
17.10.3			17.2.3.3
17.10.4, 17.10.5, 17.10.6, 17.10.7			17.2.3.4, 17.2.3.5, 17.2.3.6, 17.2.3.7

DIVISION: 03 00 00—CONCRETE
Section: 03 16 00—Concrete Anchors

DIVISION: 05 00 00—METALS
Section: 05 05 19—Post-Installed Concrete Anchors

REPORT HOLDER:

DEWALT

EVALUATION SUBJECT:**SNAKE+™ ANCHORS IN CRACKED AND UNCRACKED CONCRETE (DEWALT)****1.0 REPORT PURPOSE AND SCOPE****Purpose:**

The purpose of this evaluation report supplement is to indicate that Snake+ anchors in cracked and uncracked concrete, described in ICC-ES evaluation report [ESR-2272](#), have also been evaluated for compliance with the codes noted below as adopted by the Los Angeles Department of Building and Safety (LADBS).

Applicable code editions:

- 2023 *City of Los Angeles Building Code* ([LABC](#))
- 2023 *City of Los Angeles Residential Code* ([LARC](#))

2.0 CONCLUSIONS

The Snake+ anchors in cracked and uncracked concrete, described in Sections 2.0 through 7.0 of the evaluation report [ESR-2272](#), comply with the LABC Chapter 19, and the LARC, and are subject to the conditions of use described in this supplement.

3.0 CONDITIONS OF USE

The Snake+ anchors in cracked and uncracked concrete described in this evaluation report supplement must comply with all of the following conditions:

- All applicable sections in the evaluation report [ESR-2272](#).
- The design, installation, conditions of use and identification of the anchors are in accordance with the 2021 *International Building Code*® (IBC) provisions noted in the evaluation report [ESR-2272](#).
- The design, installation and inspection are in accordance with additional requirements of LABC Chapters 16 and 17, as applicable.
- Under the LARC, an engineered design in accordance with LARC Section R301.1.3 must be submitted.
- The allowable and strength design values listed in the evaluation report and tables are for the connection of the anchors to the concrete. The connection between the anchors and the connected members shall be checked for capacity (which may govern).
- For use in wall anchorage assemblies to flexible diaphragm applications, anchors shall be designed per the requirements of City of Los Angeles Information Bulletin P/BC 2023-071.

This supplement expires concurrently with the evaluation report, reissued December 2024.

DIVISION: 03 00 00—CONCRETE

Section: 03 16 00—Concrete Anchors

DIVISION: 05 00 00—METALS

Section: 05 05 19—Post-Installed Concrete Anchors

REPORT HOLDER:

DEWALT

EVALUATION SUBJECT:

SNAKE+™ ANCHORS IN CRACKED AND UNCRACKED CONCRETE (DEWALT)

1.0 REPORT PURPOSE AND SCOPE

Purpose:

The purpose of this evaluation report supplement is to indicate that Snake+ Anchors in Cracked and Uncracked Concrete, described in ICC-ES evaluation report ESR-2272, have also been evaluated for compliance with the codes noted below.

Compliance with the following codes:

- 2023 Florida Building Code—Building
- 2023 Florida Building Code—Residential

2.0 PURPOSE OF THIS SUPPLEMENT

The Snake+ Anchors in Cracked and Uncracked Concrete described in Sections 2.0 through 7.0 of the ICC-ES evaluation report ESR-2272 comply with the *Florida Building Code—Building* and the *Florida Building Code—Residential*. The design requirements must be in accordance with the *Florida Building Code—Building* or the *Florida Building Code—Residential*, as applicable. The installation noted in ICC-ES evaluation report ESR-2272 for the 2021 *International Building Code*® meet the requirements of the *Florida Building Code—Building* or the *Florida Building Code—Residential*.

Use of the Snake+ Anchors in Cracked and Uncracked Concrete have also been found to be in compliance with the High-Velocity Hurricane Zone (HVHZ) provisions of the *Florida Building Code—Building* and the *Florida Building Code—Residential* with the following condition:

- a) For anchorage to wood members, the connection subject to uplift, must be designed for no less than 700 pounds (3114 N).

For products falling under Florida Rule 61G20-3, verification that the report holder's quality assurance program is audited by a quality assurance entity approved by the Florida Building Commission for the type of inspections being conducted is the responsibility of an approved validation entity (or the code official when the report holder does not possess an approval by the Commission).

This supplement expires concurrently with the evaluation report, reissued December 2024.