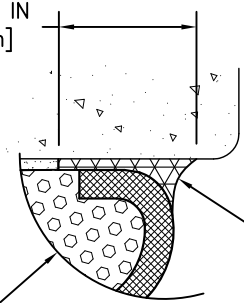




System # WW-D-0093
System # JF134

APP. 3/4 IN
[19.1mm]



FIELD-APPLIED POLYURETHANE SEALANT BAND AND CORNER BEADS FORCED DOWN ALONG SIDE OF EMSHIELD SECURITY SEAL AS SHOWN - BOTH SIDES (POLYURETHANE SUPPLIED BY EMSEAL)

NOTE:
INJECTED SEALANT BANDS AND CORNER BEADS - REQUIRED ON EXTERIOR FACING APPLICATIONS, OPTIONAL ON INTERIOR APPLICATIONS

FACTORY-APPLIED AND CURED PICK RESISTANT POLYURETHANE FACING

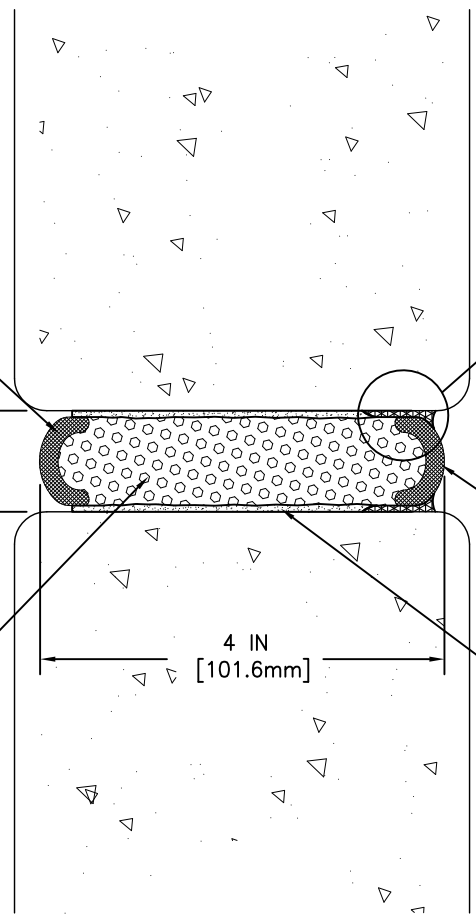
EPOXY ADHESIVE BOTH SIDES. (BY EMSEAL)

FACTORY-APPLIED AND CURED PICK RESISTANT POLYURETHANE FACING

1 IN
[25.4mm]

4 IN
[101.6mm]

EMSHIELD FIRE-RETARDANT IMPREGNATED FOAM



MOVEMENT: ±50% (TOTAL 100%) OF NOMINAL MATERIAL SIZE

EMSEAL'S EMSHIELD SSW2 HAS BEEN TESTED IN ACCORDANCE WITH UL 2079 IN THE CONFIGURATION DEPICTED IN SYSTEM # WW-D-0093. USE OF THIS MATERIAL IN WALL ASSEMBLY CONFIGURATIONS OTHER THAT DEPICTED IN UL SYSTEM # WW-D-0093 WILL NOT ENCUMBER OR LOWER THE RESISTANCE OF THE WALL BUT IS DONE SO AT THE DESIGNERS' DISCRETION AND RESPONSIBILITY FOR DESIGN OF A FIRE RATED WALL ASSEMBLY THAT MEETS APPLICABLE STANDARDS FOR THE PROJECT AND WHICH ADDITIONALLY IS CAPABLE OF RESISTING THE APPROXIMATELY 2.5 PSI (120 LBS PER FOOT OF JOINT BASED ON 4-INCH DEPTH OF SEAL) BACKPRESURE OF THE SSW2 MATERIAL.

EMSEAL JOINT SYSTEMS LTD.

SECURITYSEAL SSW2 - CONTINUOUS WALL TO WALL SINGLE BELLOW

THIS DOCUMENT CONTAINS INFORMATION OF A CONFIDENTIAL NATURE AND IS PROPRIETARY TO EMSEAL JOINT SYSTEMS LTD. ANY UNAUTHORIZED USE WILL BE PROSECUTED. THIS DRAWING IS PROTECTED BY COPYRIGHT, THE RIGHT TO REPRODUCE IN ANY FORM BEING THE EXCLUSIVE RIGHT OF EMSEAL JOINT SYSTEMS LTD. ANY UNAUTHORIZED REPRODUCTION WHETHER IN TWO OR THREE DIMENSIONS WILL BE PROSECUTED. © 2014 EMSEAL JOINT SYSTEMS LTD.

DRAWN BY: SLO	DATE: 2014/05/20	SCALE: N.T.S.	SHEET No: 1 OF 1
------------------	---------------------	------------------	---------------------

PART NUMBER: SSW2_1_WW