

PRODUCT SUBMITTAL SHEET

firetrak.com • 800.394.9875 • info@firetrak.com

specialty
METAL SOLUTIONS by
FIRETRAK

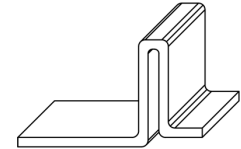
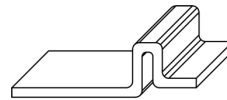


09.22.16 Non-Structural Metal Framing

SSR
Short Stud Return

LSR
Long Stud Return

XSR
Extra Long Stud Return



STUD RETURN	3/16"	3/8" - 1/2"	1/2" - 1"
TYPICAL STUD FLANGE WIDTH	1-1/4"	1-3/8" - 1-5/8"	1-5/8" Plus
TYPICAL STUD GAUGE	25 (18 mils), 22 (27 mils) 20 (33mils)	16 (54 mils) 14 (68 mils)	12 (97 mils) 10 (118 mils)
USED FOR	Drywall Studs	Structural Studs	Structural Studs
WEIGHT PER PIECE	0.04 lb.	0.08 lb.	0.13 lb.
MATERIAL	G60 20 GA Galvanized Steel	G60 16 GA Galvanized Steel	G60 16 GA Galvanized Steel

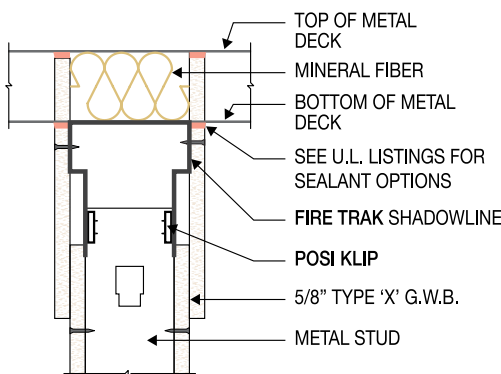
INSTALLATION ALL CLIPS

POSI KLIPS are attached to both inside bottom legs of the FIRE TRAK Deflection Track with two #8 by 1/2" (13mm) long steel self-drilling screws and engage the short flange of the studs. This reinforces the stud to track connection while allowing deflection.

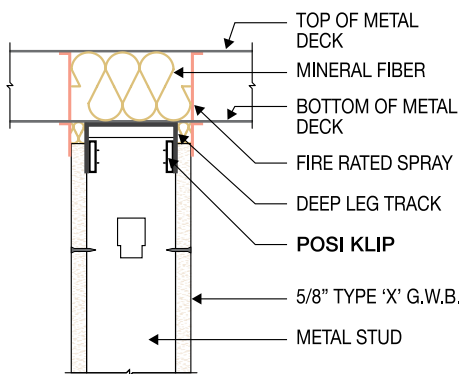
DETAILS | FIRE RATED CONDITIONS

Using FIRE TRAK Deflection Track

Using Deep Leg Track



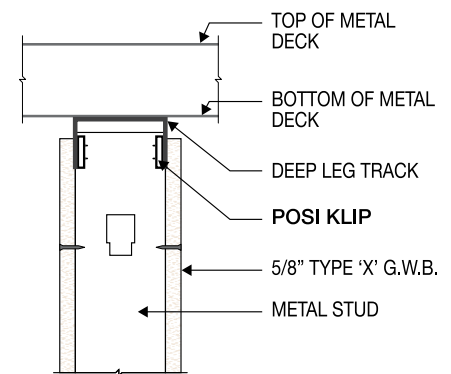
Perpendicular to Metal Deck
1 Hr. Rating - 3" Deflection



Perpendicular to Metal Deck
1 Hr. Rating Using Fire Rated Spray
1/2" Deflection & Extension Typical

NON-RATED CONDITION

Using Deep Leg Track



Perpendicular to Metal Deck
1" Deflection - Not Fire Rated

APPROVALS

Job Name: _____ Date: _____

Approved By: _____ Contractor: _____