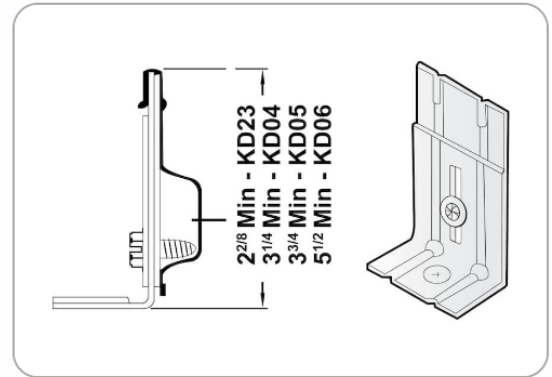


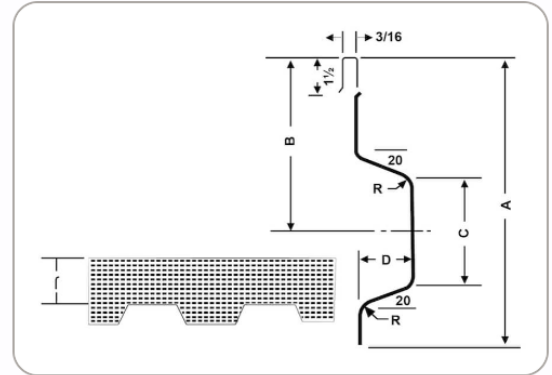
INSTALLATION

1. After placement of metal decking, secure **KEY-DECK®** supports by attaching with sheet metal screws.
2. Adjust **KEY-DECK®** supports at both ends of pour to finished floor elevation. (If using vinyl cap, adjust supports $3/16$ " lower.)
3. Stretch string line over entire length of pour and adjust remaining **KEY-DECK®** supports to finished floor elevation. Use five **KEY-DECK®** supports per 10' section of **KEY-LOC®** joint.
4. Hang joint on supports and push downward. To insure perfect joint alignment, snap-in splice at joint ends. Pour against keyway side of joint first.

CONTACT THE ARCHITECT OR ENGINEER IN CHARGE OF THE PROJECT CONCERNING PLACEMENT OF THIS PRODUCT.



Key-Deck® Support



Key-Deck® Support