

# Table of Contents

## Technical Data Sheets

FLOORPRUFE® 120	2
PREPRUFE® Tape and PREPRUFE® CJ Tape	6
BITUTHENE® Liquid Membrane	8

## Safety Data Sheets

FLOORPRUFE® 120	12
PREPRUFE® Tapes	19
BITUTHENE® Liquid Membrane	26

## Warranty

FLOORPRUFE® Vapor Barrier Membrane	42
------------------------------------	----

Detail Drawings – All	43
-----------------------	----

# FLORPRUFE® 120 Data Sheet

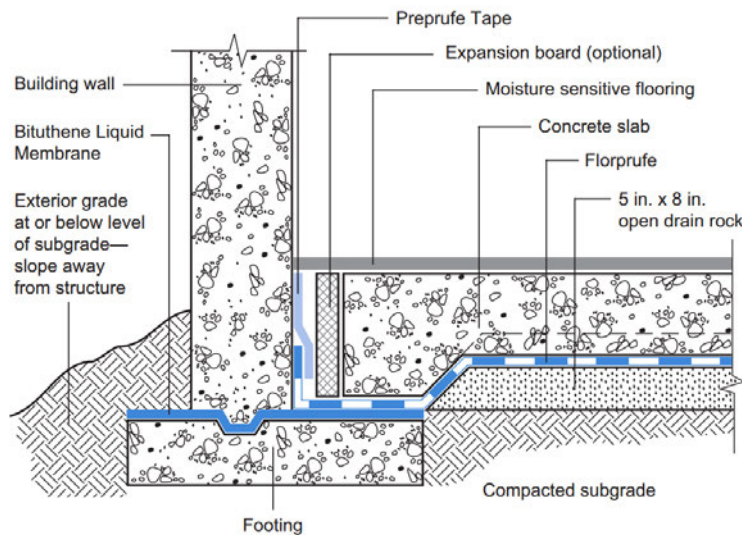
Integrally bonded vapor protection for slabs on grade

## Product Description

FLORPRUFE® 120 is a high performance vapor barrier with GCP's Advanced Bond Technology™ that forms a unique seal to the underside of concrete floor slabs. Comprising a highly durable polyolefin sheet and a specially developed, non-tacky adhesive coating, FLORPRUFE® 120 seals to liquid concrete to provide integrally bonded vapor protection. FLORPRUFE® exceeds ASTM E1745 Class A rating.

## Product Advantages

- Forms a powerful integral seal to the underside of concrete slabs
- Protects valuable floor finishes such as wood, tiles, carpet and resilient flooring from damage by vapor transmission
- Direct contact with the slab complies with the latest industry recommendations
- Remains sealed to the slab even in cases of ground settlement
- Ultra low vapor permeability
- Durable, chemical resistant polyolefin sheet
- Lightweight, easy to apply, kick out rolls
- Simple lap forming with mechanical fixings or tape



## Use

FLORPRUFE® 120 is engineered for use below slabs on grade with moisture-impermeable or moisture-sensitive floor finishes that require the highest level of vapor protection.

FLORPRUFE® complies with the latest recommendations of ACI Committees 302 and 360, i.e. for slabs with vapor sensitive coverings, the location of the vapor barrier should always be in direct contact with the slab<sup>1</sup>.

The membrane is loose laid onto the prepared sub-base, forming overlaps that can be either mechanically secured or taped. The unique bond of FLORPRUFE® to concrete provides continuity of vapor protection at laps. Alternatively, if a taped system is preferred, self-adhered FLORPRUFE® Tape can be used to overband the laps.

Slab reinforcement and concrete can be placed immediately. Once the concrete is poured, an integral bond develops between the concrete and membrane.

1 ACI 302.1R-96

## Installation

### Health & Safety

Refer to relevant Safety Data Sheet. Complete rolls should be handled by 2 persons.

FLORPRUFE® 120 can be applied at temperatures of 25°F (-4°C) or above. Membrane installation is unaffected by wet weather.

Installation and detailing of FLORPRUFE® 120 are generally in accordance with ASTM E1643-98.

Prepare substrate in accordance with ACI 302.1R Section 4.1. Install FLORPRUFE® 120 over the leveled and compacted base. Place the membrane with the smooth side down and the plastic release liner side up facing towards the concrete slab. Remove and discard plastic release liner. End laps should be staggered to avoid a build up of layers. Succeeding sheets should be accurately positioned to overlap the previous sheet 2 in. (50 mm) along the marked lap line.

### Laps

#### 1. Mechanical fastening method

To prevent the membrane from moving and gaps opening, the laps should be fastened together at 39 in. (1.0 m) maximum centers. Fix through the center of the lap area using 0.5 in. (12 mm) long washer-head, self-tapping, galvanized screws (or similar) and allowing the head of the screw to bed into the adhesive compound to self-seal. It is not necessary to fix the membrane to the substrate, only to itself. Ensure the membrane lays flat and no openings occur. (See Figure 1.) Additional fastening may be required at corners, details, etc. Continuity is achieved once the slab is poured and the bond to concrete develops.

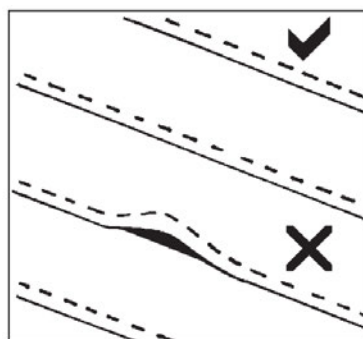


Figure 1

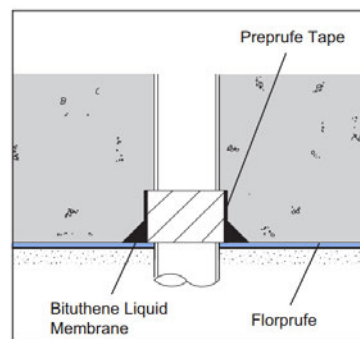


Figure 2

## OR

### 2. Taped lap method

For additional security use PREPRUFE® Tape to secure and seal the overlaps. Overband the lap with the 4 in. (100 mm) wide PREPRUFE® Tape, using the lap line for alignment. Remove plastic release liner to ensure bond to concrete.

## Penetrations

Mix and apply BITUTHENE® Liquid Membrane detail-ing compound to seal around penetrations such as drainage pipes, etc. (See Figure 2 and refer to the BITUTHENE® Liquid Membrane data sheet, BIT-230.)

## Concrete Placement

Place concrete within 30 days. Inspect membrane and repair any damage with patches of PREPRUFE® Tape. Ensure all liner is removed from membrane and tape before concreting.

## Supply

### FLORPRUFE® 120

Supplied in rolls	4 ft x 115 ft (1.2 m x 35 m)
Roll area	460 ft <sup>2</sup> (42 m <sup>2</sup> )
Roll weight	70 lbs (32 kg) approx.

### ANCILLARY PRODUCTS

PREPRUFE® Tape is packaged in cartons containing 4 rolls that are 4 in. x 49 ft (100 mm x 15 m).

BITUTHENE® Liquid Membrane is supplied in 1.5 gal (5.7 L) pails.

## Physical Properties: Exceeds ASTM E1745 Class A rating

PROPERTY	TYPICAL VALUE	TEST METHOD
Color	White	
Thickness (nominal)	0.021 in. (0.5 mm)	ASTM D3767—method A
Water vapor permeance	0.03 perms	ASTM E96—method B1
Tensile strength	65 lbs/in.	ASTM E1541
Elongation	300%	ASTM D412
Puncture resistance	3300 gms	ASTM D17091
Peel adhesion to concrete	>4 lbs/in.	ASTM D903

1. Test methods that comprise ASTM E1745 standard for vapor retarders

gcpat.com | North America Customer Service: 1-866-333-3726

We hope the information here will be helpful. It is based on data and knowledge considered to be true and accurate, and is offered for consideration, investigation and verification by the user, but we do not warrant the results to be obtained. Please read all statements, recommendations, and suggestions in conjunction with our conditions of sale, which apply to all goods supplied by us. No statement, recommendation, or suggestion is intended for any use that would infringe any patent, copyright, or other third party right.

BITUTHENE, FLORPRUFE, and PREPRUFE are trademarks, which may be registered in the United States and/or other countries, of GCP Applied Technologies Inc. This trademark list has been compiled using available published information as of the publication date and may not accurately reflect current trademark ownership or status.

© Copyright 2018 GCP Applied Technologies Inc. All rights reserved.

GCP Applied Technologies Inc., 2325 Lakeview Parkway, Suite 450, Alpharetta, GA 30009, USA

GCP Canada, Inc., 294 Clements Road, West, Ajax, Ontario, Canada L1S 3C6

This document is only current as of the last updated date stated below and is valid only for use in the United States. It is important that you always refer to the currently available information at the URL below to provide the most current product information at the time of use. Additional literature such as Contractor Manuals, Technical Bulletins, Detail Drawings and detailing recommendations and other relevant documents are also available on [www.gcpat.com](http://www.gcpat.com). Information found on other websites must not be relied upon, as they may not be up-to-date or applicable to the conditions in your location and we do not accept any responsibility for their content. If there are any conflicts or if you need more information, please contact GCP Customer Service.

Last Updated: 2022-12-07

[gcpat.com/solutions/products/florprufe-bonded-vapor-barrier/florprufe-120-data-sheet](http://gcpat.com/solutions/products/florprufe-bonded-vapor-barrier/florprufe-120-data-sheet)

# PREPRUFE® Tape and PREPRUFE® CJ Tape Data Sheet

---

## Product Description

PREPRUFE® Tape and PREPRUFE® CJ Tape are specially formulated two sided, reinforced pressure sensitive tapes. The bottom side of the tape has a highly aggressive pressure sensitive adhesive which is designed to adhere to penetrations, protrusions and GCP waterproofing membranes and accessories. The top side of the tape has a pressure sensitive adhesive, a weather resistant protective coating and a release liner. Concrete is cast directly against the protective white coating of the tape. The specially developed PREPRUFE® adhesive layers work together to form a continuous and integral seal to the structure.

PREPRUFE® Tape and PREPRUFE® CJ Tape are provided in Low Temperature and Hot Climate Grades as follows:

- PREPRUFE® Tape LT Grade and PREPRUFE® CJ Tape LT Grade - or temperatures between 25 °F (-4 °C) and 95 °F (+35 °C).
- PREPRUFE® Tape HC Grade and PREPRUFE® CJ Tape HC Grade - for use in Hot Climates (minimum 50 °F (10 °C)).

## Use

PREPRUFE® Tape is a 4 in. (100 mm) wide tape used in detail areas including end laps, penetrations and various tie-ins. It is also used to patch damaged areas in the PREPRUFE® membranes.

PREPRUFE® CJ Tape is an 8 in. (200 mm) wide tape used at construction joints in the concrete that is cast against it or in critical areas where a wider tape is required.

## Application

Wipe substrates to receive PREPRUFE® Tape and PREPRUFE® CJ Tape clean to remove any dirt, dust or moisture. Clean the surface of penetrations or protrusions with a wire brush to remove dirt, dust, rust and loose particles.

Unroll the tape and adhere the exposed pressure sensitive adhesive surface to the membrane or penetration. The protective coating surface of the tape should face toward the concrete to be cast onto the tape.

The use of rollers is required to maximize adhesion. Remove the release liner during application.

Ensure the plastic release liner is removed from all areas of PREPRUFE® Tape and PREPRUFE® CJ Tape. It is recommended that concrete be poured within 56 days (42 days in hot climates) of application of the PREPRUFE® system. Following proper ACI guidelines, concrete must be placed carefully and consolidated properly to avoid damage to the membrane. Never use a sharp object to consolidate the concrete. Provide temporary protection from concrete over splash for areas of the tape that are adjacent to a concrete pour.

DIMENSIONS (NOMINAL)	PREPRUFE® TAPE (HC OR LT)	PREPRUFE® CJ TAPE (HC OR LT)
Roll Size	4 in. x 49 ft. (100 mm x 15 m)	8 in. x 49 ft. (200 mm x 15 m)
Roll Weight	4.3 lbs (2 kg)	8.6 lbs (4 kg)

gcpat.com | North America Customer Service: 1-866-333-3726

We hope the information here will be helpful. It is based on data and knowledge considered to be true and accurate, and is offered for consideration, investigation and verification by the user, but we do not warrant the results to be obtained. Please read all statements, recommendations, and suggestions in conjunction with our conditions of sale, which apply to all goods supplied by us. No statement, recommendation, or suggestion is intended for any use that would infringe any patent, copyright, or other third party right.

PREPRUFE and HYDRODUCT are trademarks, which may be registered in the United States and/or other countries, of GCP Applied Technologies Inc. This trademark list has been compiled using available published information as of the publication date and may not accurately reflect current trademark ownership or status.

© Copyright 2018 GCP Applied Technologies Inc. All rights reserved.

GCP Applied Technologies Inc., 2325 Lakeview Parkway, Suite 450, Alpharetta, GA 30009, USA

GCP Canada, Inc., 294 Clements Road, West, Ajax, Ontario, Canada L1S 3C6

This document is only current as of the last updated date stated below and is valid only for use in the United States. It is important that you always refer to the currently available information at the URL below to provide the most current product information at the time of use. Additional literature such as Contractor Manuals, Technical Bulletins, Detail Drawings and detailing recommendations and other relevant documents are also available on www.gcpat.com. Information found on other websites must not be relied upon, as they may not be up-to-date or applicable to the conditions in your location and we do not accept any responsibility for their content. If there are any conflicts or if you need more information, please contact GCP Customer Service.

Last Updated: 2022-12-06

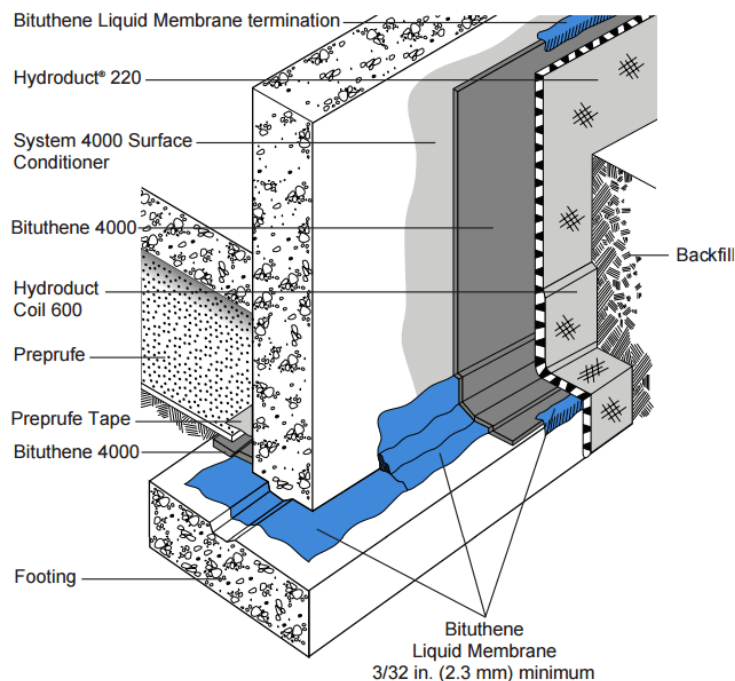
[gcpat.com/solutions/products/preprufe-comprehensive-waterproofing-system/preprufe-tape-and-preprufe-cj-tape](https://www.gcpat.com/solutions/products/preprufe-comprehensive-waterproofing-system/preprufe-tape-and-preprufe-cj-tape)

# BITUTHENE® Liquid Membrane Data Sheet

Two component, elastomeric, liquid applied detailing compound for use with GCP waterproofing membranes

## Product Description

BITUTHENE® Liquid Membrane is a two component, elastomeric, cold applied, trowel grade material designed for a variety of uses with the GCP waterproofing systems. The VOC (Volatile Organic Compound) content is 10 g/L. Architectural and industrial maintenance regulations limit the VOC content in products classified as architectural coatings. Refer to Technical Letters for the most current list of allowable limits.



## Product Advantages

- Liquid applied
- Waterproof
- Tough, rubber-like
- Chemically cured
- Cold applied
- System compatible

## Use

BITUTHENE® Liquid Membrane is ideally suited for the following uses:



- Fillet material at inside corners
- Reinforcement material at inside corners
- Flashing material around drains, protrusions, curbs and parapets
- Sealing material at terminations
- Repair material for defects on concrete surfaces
- Flashing material at corners

The two parts of BITUTHENE® Liquid Membrane are mixed on site and troweled on to provide a simple and quick waterproofing detailing aid in conjunction with BITUTHENE®, PREPRUFE® and PROCOR® systems.

## Compatibility

BITUTHENE® Liquid Membrane is completely compatible with BITUTHENE®, PREPRUFE® and PROCOR®, and with existing asphalt or coal tar-based waterproofing materials. It is also compatible with cured silicone and polyurethane sealants. It is not compatible with creosote, pentachlorophenol, linseed oil or polysulfide-based sealants.

## Supply

BITUTHENE® Liquid Membrane (Parts A & B)		
Unit size	1.5 gal (5.7 L)	4 gal (15.1 L)
Net weight per unit	16 lbs (8 kg)	44 lbs (20 kg)
Units per pallet	100	24

## Physical Properties

PROPERTY	TYPICAL VALUE	TEST METHOD
Part A Color	Black	
Part B Color	Clear	
Mixture of Parts A and B Color	Black	
Solids content	100%	ASTM D1644
Elongation	250% minimum	ASTM D412
Peel strength	5 lbs/in. (880 N/m) minimum	ASTM D903
Flexibility, 180° bend over 1 in. (25 mm) mandrel at -25°F (-32°C)	Unaffected	ASTM D1970

## Application Procedures

### Safety, Storage and Handling Information

BITUTHENE® products must be handled properly. Vapors from solvent based primers and mastic are harmful and flammable. For these products, the best available information on safe handling, storage, personal protection, health and environmental considerations has been gathered. Safety Data Sheets (SDS) are available on the web site and users should acquaint themselves with this information. Carefully read detailed precaution statements on product labels and the SDS before use.

### Surface Preparation

All surfaces must be dry and free from dirt, grease, oil, dust or other contaminants. BITUTHENE® Liquid Membrane may be applied at temperatures of 25°F (-4°C) or above. Store in a dry place above 40°F.

### Mixing

Add the entire contents of the Part B container to Part A and mix for 3 to 5 minutes until uniform. Part A is black and Part B is clear. Take care to scrape material from the side and bottom of the containers to ensure thorough mixing. A low speed (150 rpm) mechanical mixer with flat paddle blades is required. Do not apply any material if streaks can be seen due to insufficient mixing. Once mixed, BITUTHENE® Liquid Membrane must be applied by trowel within 1.5 hours. More time is available at lower temperatures.

At high temperatures, thickening and curing will be faster. Material that has thickened must be discarded. The material will cure to a very flexible rubber-like material.

BITUTHENE® Liquid Membrane must be applied at a minimum thickness of  $\frac{3}{16}$  in. (2.3 mm) unless otherwise noted on details. 32 In fillet applications, the face of the fillet should be a minimum of  $\frac{3}{4}$  in. (20 mm). In corner flashing application details, it should extend 6 in. (150 mm) in each direction from the corner. BITUTHENE® Liquid Membrane will adhere to primed or unprimed concrete.

BITUTHENE® Liquid Membrane should be allowed to cure at least 24 hours before flood testing.

### Coverage

As a fillet material, 1 gal (3.8 L) will cover approximately 100 linear feet (30 m). As a flashing material, 1 gal (3.8 L) will cover approximately 17 f<sup>2</sup> (1.6 m<sup>2</sup>). As a fillet and reinforcement, 1 gal (3.8 L) will cover approximately 14 linear feet (4.3 m).

### Cleaning

Clean tools and equipment with mineral spirits before BITUTHENE® Liquid Membrane has cured. Mineral spirits is a combustible liquid and should be used only in accordance with the manufacturer's safety recommendations. Do not use solvents to clean hands or skin.

gcpat.com | North America Customer Service: 1-866-333-3726

We hope the information here will be helpful. It is based on data and knowledge considered to be true and accurate, and is offered for consideration, investigation and verification by the user, but we do not warrant the results to be obtained. Please read all statements, recommendations, and suggestions in conjunction with our conditions of sale, which apply to all goods supplied by us. No statement, recommendation, or suggestion is intended for any use that would infringe any patent, copyright, or other third party right.

BITUTHENE, PROCOR, and PREPRUFE are registered trademarks, which may be registered in the United States and/or other countries, of GCP Applied Technologies Inc. This trademark list has been compiled using available published information as of the publication date and may not accurately reflect current trademark ownership or status.

© Copyright 2018 GCP Applied Technologies Inc. All rights reserved.

GCP Applied Technologies Inc., 2325 Lakeview Parkway, Suite 450, Alpharetta, GA 30009, USA

GCP Canada, Inc., 294 Clements Road, West, Ajax, Ontario, Canada L1S 3C6

This document is only current as of the last updated date stated below and is valid only for use in the United States. It is important that you always refer to the currently available information at the URL below to provide the most current product information at the time of use. Additional literature such as Contractor Manuals, Technical Bulletins, Detail Drawings and detailing recommendations and other relevant documents are also available on [www.gcpat.com](http://www.gcpat.com). Information found on other websites must not be relied upon, as they may not be up-to-date or applicable to the conditions in your location and we do not accept any responsibility for their content. If there are any conflicts or if you need more information, please contact GCP Customer Service.

Last Updated: 2022-12-06

[gcpat.com/solutions/products/bituthene-post-applied-waterproofing/bituthene-liquid-membrane](http://gcpat.com/solutions/products/bituthene-post-applied-waterproofing/bituthene-liquid-membrane)

## 1 Identification

### Product identifier

Trade name: *Florprufe™ 120*

SDS ID Number: 612

**Relevant identified uses of the substance or mixture, and uses advised against:**  
Specialty construction product. Not intended for other uses.

### Details of the supplier of the safety data sheet

#### Manufacturer/Supplier:

GCP Applied Technologies  
62 Whittemore Avenue  
Cambridge, MA 02140 USA

GCP Canada, Inc.  
294 Clements Road W.  
Ajax, Ontario L1S 3C6 Canada

#### Information department:

Environmental Health & Safety  
USA: +1-617-876-1400 (24 hours)  
+1-800-354-5414 (8AM - 5PM) Not functional within Massachusetts  
CAN: 1-905-683-8561 (24 hours)  
Email address: msds.gcp@gcpat.com

**Transport Emergency:** Chemtrec +1-800-424-9300 (24 hours)

## 2 Hazard(s) identification

### Classification of the substance or mixture

May be fatal if swallowed and enters airways.

**Label elements:** The product is classified and labeled according to the Globally Harmonized System (GHS)

#### Hazard pictograms



GHS08

Danger

#### Hazard statements

May be fatal if swallowed and enters airways.

#### Precautionary statements

If swallowed: Immediately call a poison center/doctor.

Do NOT induce vomiting.

Dispose of contents/container in accordance with local/regional/national/international regulations.

#### NFPA ratings (scale 0 - 4)



Health = 3  
Fire = 1  
Reactivity = 0

## Safety Data Sheet

Printing date 10/03/2018

Version Number 1.0

Reviewed on 10/03/2018

Trade name: *Florprufe*<sup>TM</sup> 120

(Cont. from page 1)

**HMIS-ratings (scale 0 - 4)**

HEALTH	3	Health = 3
FIRE	1	Flammability = 1
REACTIVITY	0	Reactivity = 0

**Other hazards****Results of PBT and vPvB assessment****PBT:** Not applicable.**vPvB:** Not applicable.**3 Composition/information on ingredients****Chemical characterization: Mixture****Description:** Mixture of the hazardous substance(s) listed below with additional nonhazardous ingredients.**Hazardous components:**

64742-52-5	Distillates (petroleum), hydrotreated heavy naphthenic	10-<15%
25973-55-1	2-(2H-Benzotriazole-2-XY)-4,6-Ditertpentyl-phenol	0.1-<1%

**Additional information:** Non-hazardous ingredients may be listed in Section 15; Right-To-Know disclosure.**4 First-aid measures****Description of first aid measures****General information:** Get medical advice/attention if you feel unwell.**After inhalation:**

If symptoms develop, supply fresh air. If required, provide artificial respiration and seek immediate medical treatment.

**After skin contact:**

Immediately wash contaminated skin with soap or mild detergent and water. If this chemical soaks clothing, immediately remove clothing and wash skin.

**After eye contact:** Rinse cautiously with water for several minutes.**After swallowing:**

Rinse mouth.

Do NOT induce vomiting.

**Information for doctor:****Most important symptoms and effects, both acute and delayed Harmful:** may cause lung damage if swallowed.**Indication of any immediate medical attention and special treatment needed** No further relevant information available.**5 Fire-fighting measures****Special hazards arising from the substance or mixture** No further relevant information available.**Additional information** Collect contaminated fire fighting water separately. It must not enter the sewage system.**6 Accidental release measures****Personal precautions, protective equipment and emergency procedures**

Wear protective equipment. Keep unprotected persons away.

(Cont. on page 3)

USGHS

**Trade name:** *Florprufe™ 120*

(Cont. from page 2)

**Environmental precautions:** Do not allow product to reach sewage system or any water course.

**Methods and material for containment and cleaning up:**

Dispose contaminated material as waste according to section 13 of the SDS.

**Reference to other sections**

See Section 7 for information on safe handling.

See Section 8 for information on personal protection equipment.

See Section 13 for disposal information.

## 7 Handling and storage

**Handling:**

**Precautions for safe handling** No special precautions are necessary if used correctly.

**Information about protection against explosions and fires:** No special measures required.

**Conditions for safe storage, including any incompatibilities**

**Storage:**

**Information about storage in one common storage facility:** No special measures required.

**Further information about storage conditions:** Keep receptacle tightly sealed.

**Specific end use(s)** No further relevant information available.

## 8 Exposure controls/personal protection

**Additional information about design of technical systems:** No further data; see item 7.

**Control parameters**

**Components with limit values that require monitoring at the workplace:**

The product does not contain any relevant quantities of materials with critical values that have to be monitored at the workplace.

**Additional information:** The lists that were valid during the creation were used as basis.

**Exposure controls**

**Personal protective equipment:**

**General protective and hygienic measures:** The usual precautionary measures for handling chemicals should be followed.

**Breathing equipment:**

Control exposure to ingredients with workplace control parameters if mentioned above. If no ingredients are listed, respiratory protection is generally not required.

If exposure limits are listed and may be exceeded, use approved respiratory protective equipment and filter type appropriate for the listed ingredients. (NIOSH, CEN, etc.).

**Protection of hands:** Gloves should be worn to prevent skin contact and should be impermeable and resistant to the product.

**Material of gloves** Rubber or other impervious gloves should be worn to prevent skin contact.

**Eye protection:**



Safety glasses with side shield protection.

(Cont. on page 4)

USGHS

## Safety Data Sheet

Printing date 10/03/2018

Version Number 1.0

Reviewed on 10/03/2018

Trade name: *Florprufe*<sup>TM</sup> 120

(Cont. from page 3)

**Body protection:**

Use personal protective equipment as required.

Take off contaminated clothing.

**9 Physical and chemical properties****Information on basic physical and chemical properties****General Information****Appearance:**

<b>Form:</b>	Solid
<b>Color:</b>	Amber polyethylene sheet with clear and white synthetic adhesive.
<b>Odor:</b>	Characteristic
<b>Odor threshold:</b>	Not determined.

**pH-value (~):** Not applicable.

**Change in condition**

<b>Melting point/Melting range:</b>	Undetermined.
<b>Boiling point/Boiling range:</b>	Undetermined.
<b>Flash point:</b>	Not applicable.

**Flammability (solid, gaseous):** Not determined.

**Ignition temperature:** Undetermined.

**Decomposition temperature:** Not determined.

**Auto igniting:** Not determined.

**Danger of explosion:** Product does not present an explosion hazard.

**Explosion limits:**

<b>Lower:</b>	Not determined.
<b>Upper:</b>	Not determined.
<b>VOC Content (max):</b>	Not determined.

**Vapor pressure:** Not applicable.

**Density (~):** Not determined.

**Relative density:** Not determined.

**Vapor density:** Not determined.

**Solubility in / Miscibility with**

**Water:** Not miscible or difficult to mix.

**Partition coefficient (n-octanol/water):** Not determined.

**Viscosity:**

**Dynamic:** Not applicable.

**Kinematic:** Not applicable.

**Molecular weight:** Not applicable.

**Other information**

No further relevant information available.

**10 Stability and reactivity**

**Reactivity:** Stable under normal conditions.

**Chemical stability**

**Thermal decomposition:** No decomposition if used according to specifications.

**Possibility of hazardous reactions:** No dangerous reactions known.

**Conditions to avoid:** No further relevant information available.

(Cont. on page 5)

USGHS

## Safety Data Sheet

Printing date 10/03/2018

Version Number 1.0

Reviewed on 10/03/2018

Trade name: *Florprufe*<sup>TM</sup> 120

(Cont. from page 4)

**Incompatible materials:** No further relevant information available.**Hazardous decomposition products:** Carbon monoxide and carbon dioxide**11 Toxicological information****Information on toxicological effects****Acute toxicity:****Primary irritant effect:****on the skin:** No irritating effect expected**on the eye:** May be irritating to the eyes.**inhalation:** No irritating effect expected**Ingestion:** Harmful: may cause lung damage if swallowed.**Additional toxicological information:****Carcinogenic categories****IARC (International Agency for Research on Cancer) Human Carcinogenicity:**  
Group 1- Positive, Group 2A- Probable, Group 2B- Possible, Group 3- Not Classifiable

14807-96-6 | Talc

3

**NTP (National Toxicology Program)****K–Known to be carcinogenic, R–May reasonably be anticipated to be carcinogenic**

None of the ingredients are listed.

**OSHA-Ca (Occupational Safety & Health Administration)**

None of the ingredients are listed.

**12 Ecological information****Toxicity****Aquatic toxicity:** No further relevant information available.**Persistence and degradability** No further relevant information available.**Behavior in environmental systems:****Bioaccumulative potential** No further relevant information available.**Mobility in soil** No further relevant information available.**Additional ecological information:****General notes:**

Do not allow product to reach ground water, water course or sewage system, even in small quantities.

Danger to drinking water if even extremely small quantities leak into the ground.

**Results of PBT and vPvB assessment****PBT:** Not applicable.**vPvB:** Not applicable.**Other adverse effects** No further relevant information available.

USGHS

(Cont. on page 6)



## Safety Data Sheet

Printing date 10/03/2018

Version Number 1.0

Reviewed on 10/03/2018

Trade name: *Florprufe™ 120*

(Cont. from page 5)

**13 Disposal considerations****Disposal methods:**

Consult all regulations (federal, state, provincial, local) or a qualified waste disposal firm when characterizing product for disposal. Dispose of waste in accordance with all applicable regulations.

**Recommendation:**

Must not be disposed of together with household garbage. Do not allow product to reach sewage system.

**Uncleaned packagings:**

**Recommendation:** Dispose of contents/container in accordance with local/regional/national/international regulations.

**14 Transport information****UN-Number**

DOT, IMDG, IATA

Not applicable.

**UN proper shipping name**

DOT, IMDG, IATA

Not applicable.

**Transport hazard class(es)**

DOT, IMDG, IATA

Class

Not applicable.

**Packing group**

DOT, IMDG, IATA

Not applicable.

**Environmental hazards:**

Marine pollutant:

No

**Special precautions for user**

Not applicable.

**Transport/Additional information:** Not classified as a dangerous good for transport by road, rail or air.

DOT

Remarks:

Not Regulated.

**15 Regulatory information****SARA (Superfund Amendments and Reauthorization Act)****Section 302/304 (extremely hazardous substances):**

None of the ingredients is listed.

**Section 313 Reportable Ingredients (Chemicals present below reporting threshold are exempt):**

None of the ingredients is listed.

**SARA Section 312/Tier I & II Hazard Categories:** Health Hazard - Aspiration Hazard

**North America Chemical Inventory Status****TSCA (Toxic Substances Control Act - United States):**

All ingredients are listed or exempt from listing unless otherwise noted below.

**CEPA (Canadian DSL):**

All ingredients are listed or exempt from listing unless otherwise noted below.

**Right to Know Ingredient Disclosure:**

68478-07-9 | Hydrocarbon Resin

(Cont. on page 7)

USGHS

## Safety Data Sheet

Printing date 10/03/2018

Version Number 1.0

Reviewed on 10/03/2018

Trade name: *Florprufe*<sup>TM</sup> 120

(Cont. from page 6)

25038-32-8 Styrene-Isoprene-Styrene Block Copolymer

**California Proposition 65: (Substances <0.1% unless noted in Section 3)****Chemicals known to cause cancer:**

None of the ingredients is listed.

**Chemicals known to cause reproductive toxicity for females:**

None of the ingredients are listed.

**Chemicals known to cause reproductive toxicity for males:**

None of the ingredients are listed.

**Chemicals known to cause developmental toxicity:**

None of the ingredients are listed.

**Carcinogenicity Categories****TLV-ACGIH (THE American Conference of Governmental Industrial Hygienists)****Human Carcinogen - A1 Confirmed, A2 Suspected, A3 Unknown Relevance, A4 Not Classifiable**

None of the ingredients are listed.

**NIOSH-Cancer (National Institute for Occupational Safety and Health)**

None of the ingredients are listed.

**Volatile Organic Compounds (VOC) reported per the Emission Standards.**

If no g/L value is provided this product is not subject to above standard.

**16 Other information**

The data included herein are presented in accordance with various environment, health and safety regulations. It is the responsibility of a recipient of the data to remain currently informed on chemical hazard information, to design and update its own program and to comply with all national, federal, state and local laws and regulations applicable to safety, occupational health, right-to-know and environmental protection.

**Department issuing SDS:**

GCP Applied Technologies

62 Whittemore Avenue

Cambridge, MA 02140 USA

USA: +1-617-876-1400 (24 hours)

+1-800-354-5414

**The first date of preparation** 09/08/2006**Number of revision times and the latest revision date** 1.0 / 10/03/2018

USGHS

**Safety Data Sheet**

Printing date 08/22/2019

Version Number 1.0

Reviewed on 08/22/2019

**1 Identification**

**Product identifier**

Trade name: ***PREPRUFE® Tapes (All Products)***

SDS ID Number: 153

**Relevant identified uses of the substance or mixture, and uses advised against:**

Waterproofing.  
Specialty construction product. Not intended for other uses.

**Details of the supplier of the safety data sheet**

**Manufacturer/Supplier:**

GCP Applied Technologies  
62 Whittemore Avenue  
Cambridge, MA 02140 USA

GCP Canada, Inc.  
294 Clements Road W.  
Ajax, Ontario L1S 3C6 Canada

**Information department:**

Environmental Health & Safety  
USA: +1-617-876-1400 (24 hours)  
+1-800-354-5414 (8AM - 5PM) Not functional within Massachusetts  
CAN: 1-905-683-8561 (24 hours)  
Email address: msds.gcp@gcpat.com

**Transport Emergency:** Chemtrec +1-800-424-9300 (24 hours)

**2 Hazard(s) identification**

**Classification of the substance or mixture**

The product is not classified, according to the Globally Harmonized System (GHS).

**Additional information:**

SDS's are not required for finished articles. nevertheless, the following information is provided to assist with safe use.

**Label elements:**

**Hazard pictograms** Not applicable.

Not applicable.

**Hazard statements** Not applicable.

**NFPA ratings (scale 0 - 4)**



Health = 0  
Fire = 1  
Reactivity = 0

**HMIS-ratings (scale 0 - 4)**



Health = 0  
Flammability = 1  
Reactivity = 0

**Other hazards** Contact with residue from adhesive may cause eye and skin irritation.

## Safety Data Sheet

Printing date 08/22/2019

Version Number 1.0

Reviewed on 08/22/2019

Trade name: **PREPRUFE® Tapes (All Products)**

(Cont. from page 1)

**Results of PBT and vPvB assessment**

**PBT:** Not applicable.  
**vPvB:** Not applicable.

**3 Composition/information on ingredients****Chemical characterization: Mixture****Hazardous components:** Not applicable.**Additional information:** Non-hazardous ingredients may be listed in Section 15; Right-To-Know disclosure.**4 First-aid measures****Description of first aid measures****General information:** Get medical advice/attention if you feel unwell.**After inhalation:** No special measures required.**After skin contact:** If skin irritation occurs, consult a doctor.**After eye contact:**

Rinse cautiously with water for several minutes.  
 If symptoms persist, consult a physician.

**After swallowing:**

Rinse mouth.

Do NOT induce vomiting.

**Information for doctor:****Most important symptoms and effects, both acute and delayed** No further relevant information available.**Indication of any immediate medical attention and special treatment needed** No further relevant information available.**5 Fire-fighting measures****Special hazards arising from the substance or mixture** No further relevant information available.**Additional information** Collect contaminated fire fighting water separately. It must not enter the sewage system.**6 Accidental release measures****Personal precautions, protective equipment and emergency procedures**

Wear protective equipment. Keep unprotected persons away.

**Methods and material for containment and cleaning up:** Pick up mechanically.**Reference to other sections**

See Section 7 for information on safe handling.

See Section 8 for information on personal protection equipment.

See Section 13 for disposal information.

USGHS

(Cont. on page 3)

Trade name: **PREPRUFE® Tapes (All Products)**

(Cont. from page 2)

## 7 Handling and storage

### Handling:

#### Precautions for safe handling

Wash thoroughly after handling.

Avoid eye and skin contact with residue from adhesive.

Release liners are slippery. Remove from work area immediately after membrane application.

Membrane is slippery when wet or covered with frost.

Release liners may cause slip and trip hazards.

Do not eat, drink or smoke when using this product.

Wash skin after handling.

For professional use only. Keep out of children's reach.

#### Information about protection against explosions and fires:

Removal of release liner may generate a static electrical discharge (spark).

### Conditions for safe storage, including any incompatibilities

#### Storage:

**Information about storage in one common storage facility:** No special measures required.

**Further information about storage conditions:** Keep receptacle tightly sealed.

**Specific end use(s)** No further relevant information available.

## 8 Exposure controls/personal protection

**Additional information about design of technical systems:** No further data; see item 7.

### Control parameters

#### Components with limit values that require monitoring at the workplace:

The product does not contain any relevant quantities of materials with critical values that have to be monitored at the workplace.

**Additional information:** The lists that were valid during the creation were used as basis.

### Exposure controls

#### Personal protective equipment:

##### General protective and hygienic measures:

Avoid contact with the eyes and skin.

The usual precautionary measures for handling chemicals should be followed.

##### Breathing equipment:

Control exposure to ingredients with workplace control parameters if mentioned above. If no ingredients are listed, respiratory protection is generally not required.

If exposure limits are listed and may be exceeded, use approved respiratory protective equipment and filter type appropriate for the listed ingredients. (NIOSH, CEN, etc.).

**Protection of hands:** Gloves should be worn to prevent skin contact and should be impermeable and resistant to the product.

**Material of gloves** Rubber or other impervious gloves should be worn to prevent skin contact.

#### Eye protection:



Safety glasses with side shield protection.

(Cont. on page 4)

USGHS

## Safety Data Sheet

Printing date 08/22/2019

Version Number 1.0

Reviewed on 08/22/2019

Trade name: **PREPRUFE® Tapes (All Products)**

(Cont. from page 3)

**Body protection:**

Use personal protective equipment as required.

Take off contaminated clothing.

**9 Physical and chemical properties****Information on basic physical and chemical properties****General Information****Appearance:**

<b>Form:</b>	Solid
<b>Color:</b>	According to product specification
<b>Odor:</b>	Characteristic
<b>Odor threshold:</b>	Not determined.

**pH-value (~):** Not applicable.**Change in condition**

<b>Melting point/Melting range:</b>	Undetermined.
<b>Boiling point/Boiling range:</b>	Undetermined.
<b>Flash point:</b>	Not applicable.

**Flammability (solid, gaseous):** Not determined.**Ignition temperature:** Undetermined.**Decomposition temperature:** Not determined.**Auto igniting:** Not determined.**Danger of explosion:** Product does not present an explosion hazard.**Explosion limits:**

<b>Lower:</b>	Not determined.
<b>Upper:</b>	Not determined.
<b>VOC Content (max):</b>	Not determined.

**Vapor pressure:** Not applicable.**Density: (~) at 20 °C (68 °F)** 1 g/cm<sup>3</sup> (8.3 lbs/gal)**Relative density** Not determined.**Vapor density** Not determined.**Solubility in / Miscibility with****Water:** Not miscible or difficult to mix.**Partition coefficient (n-octanol/water):** Not determined.**Viscosity:****Dynamic:** Not applicable.**Kinematic:** Not applicable.**Molecular weight** Not applicable.**Other information**

No further relevant information available.

**10 Stability and reactivity****Reactivity**

Stable under normal conditions.

No further relevant information available.

**Chemical stability****Thermal decomposition:** No decomposition if used according to specifications.

(Cont. on page 5)

USGHS

## Safety Data Sheet

Printing date 08/22/2019

Version Number 1.0

Reviewed on 08/22/2019

Trade name: **PREPRUFE® Tapes (All Products)**

(Cont. from page 4)

**Possibility of hazardous reactions**

No dangerous reactions known.  
No further relevant information available.

**Conditions to avoid** No further relevant information available.

**Incompatible materials:** No further relevant information available.

**Hazardous decomposition products:** Carbon monoxide and carbon dioxide

**11 Toxicological information****Information on toxicological effects**

**Acute toxicity:**

**Primary irritant effect:**

**on the skin:** No irritating effect expected

**on the eye:** No irritating effect expected

**inhalation:** No irritating effect expected

**Additional toxicological information:**

**Carcinogenic categories**

**IARC (International Agency for Research on Cancer) Human Carcinogenicity:**  
**Group 1- Positive, Group 2A- Probable, Group 2B- Possible, Group 3- Not Classifiable**

None of the ingredients are listed.

**NTP (National Toxicology Program)**

**K–Known to be carcinogenic, R–May reasonably be anticipated to be carcinogenic**

None of the ingredients are listed.

**OSHA-Ca (Occupational Safety & Health Administration)**

None of the ingredients are listed.

**12 Ecological information****Toxicity**

**Aquatic toxicity:** No further relevant information available.

**Persistence and degradability** No further relevant information available.

**Behavior in environmental systems:**

**Bioaccumulative potential** No further relevant information available.

**Mobility in soil** No further relevant information available.

**Additional ecological information:**

**General notes:** Not known to be hazardous to water.

**Results of PBT and vPvB assessment**

**PBT:** Not applicable.

**vPvB:** Not applicable.

**Other adverse effects** No further relevant information available.

USGHS  
(Cont. on page 6)

## Safety Data Sheet

Printing date 08/22/2019

Version Number 1.0

Reviewed on 08/22/2019

Trade name: **PREPRUFE® Tapes (All Products)**

(Cont. from page 5)

**13 Disposal considerations****Disposal methods:**

Consult all regulations (federal, state, provincial, local) or a qualified waste disposal firm when characterizing product for disposal. Dispose of waste in accordance with all applicable regulations.

**Recommendation:**

Must not be disposed of together with household garbage. Do not allow product to reach sewage system.

**Uncleaned packagings:**

**Recommendation:** Dispose of contents/container in accordance with local/regional/national/international regulations.

**14 Transport information****UN-Number**

DOT, IMDG, IATA

Not applicable.

**UN proper shipping name**

DOT, IMDG, IATA

Not applicable.

**Transport hazard class(es)**

DOT, IMDG, IATA

Class

Not applicable.

**Packing group**

DOT, IMDG, IATA

Not applicable.

**Environmental hazards:****Marine pollutant:**

No

**Special precautions for user**

Not applicable.

**Transport/Additional information:** Not classified as a dangerous good for transport by road, rail or air.

DOT

**Remarks:**

Not Regulated.

**UN "Model Regulation":**

Not applicable.

**15 Regulatory information****SARA (Superfund Amendments and Reauthorization Act)****Section 302/304 (extremely hazardous substances):**

None of the ingredients is listed.

**Section 313 Reportable Ingredients (Chemicals present below reporting threshold are exempt):**

None of the ingredients is listed.

**SARA Section 312/Tier I & II Hazard Categories:** None**North America Chemical Inventory Status****TSCA (Toxic Substances Control Act - United States):**

All ingredients are listed or exempt from listing unless otherwise noted below.

**CEPA (Canadian DSL):**

All ingredients are listed or exempt from listing unless otherwise noted below.

(Cont. on page 7)

USGHS



## Safety Data Sheet

Printing date 08/22/2019

Version Number 1.0

Reviewed on 08/22/2019

Trade name: **PREPRUFE® Tapes (All Products)**

(Cont. from page 6)

**Right to Know Ingredient Disclosure:**

Non-hazardous ingredients

**California Proposition 65: (Substances <0.1% unless noted in Section 3)****Chemicals known to cause cancer:**

None of the ingredients is listed.

**Chemicals known to cause reproductive toxicity for females:**

None of the ingredients are listed.

**Chemicals known to cause reproductive toxicity for males:**

None of the ingredients are listed.

**Chemicals known to cause developmental toxicity:**

None of the ingredients are listed.

**Carcinogenicity Categories****TLV-ACGIH (THE American Conference of Governmental Industrial Hygienists)****Human Carcinogen - A1 Confirmed, A2 Suspected, A3 Unknown Relevance, A4 Not Classifiable**

None of the ingredients are listed.

**NIOSH-Cancer (National Institute for Occupational Safety and Health)**

None of the ingredients are listed.

**Volatile Organic Compounds (VOC) reported per the Emission Standards.**

If no g/L value is provided this product is not subject to above standard.

**16 Other information**

The data included herein are presented in accordance with various environment, health and safety regulations. It is the responsibility of a recipient of the data to remain currently informed on chemical hazard information, to design and update its own program and to comply with all national, federal, state and local laws and regulations applicable to safety, occupational health, right-to-know and environmental protection.

**Department issuing SDS:**

GCP Applied Technologies  
62 Whittemore Avenue  
Cambridge, MA 02140 USA  
USA: +1-617-876-1400 (24 hours)  
+1-800-354-5414

**Other Information:**

This SDS is for the following products: PREPRUFE® Detail Tape, PREPRUFE® Tape LT, PREPRUFE® Tape HC, PREPRUFE® CJ Tape LT, & PREPRUFE® CJ Tape HC.

**The first date of preparation** 03/15/2019

**Number of revision times and the latest revision date** 1.0 / 08/22/2019

USGHS

## 1 Identification

### Product identifier

Trade name: *Bituthene Liquid Membrane Part A*

SDS ID Number: 60025

**Relevant identified uses of the substance or mixture, and uses advised against**  
Specialty construction product. Not intended for other uses

### Details of the supplier of the safety data sheet

#### Manufacturer/Supplier:

GCP Applied Technologies  
62 Whittemore Avenue  
Cambridge, MA 02140 USA

GCP Canada, Inc.  
294 Clements Road W.  
Ajax, Ontario L1S 3C6 Canada

#### Information department:

Environmental Health & Safety  
USA: +1-617-876-1400 (24 hours)  
+1-800-354-5414 (8AM - 5PM) Not functional within Massachusetts  
CAN: 1-905-683-8561 (24 hours)  
Email address: msds.gcp@gcpat.com

**Transport Emergency:** Chemtrec +1-800-424-9300 (24 hours)

## 2 Hazard(s) identification

### Classification of the substance or mixture

May cause cancer.

**Label elements:** The product is classified and labeled according to the Globally Harmonized System (GHS)

### Hazard pictograms



GHS08

Danger

### Hazard statements

May cause cancer.

### Precautionary statements

Wear protective gloves/protective clothing/eye protection/face protection.

Do not handle until all safety precautions have been read and understood.

Obtain special instructions before use.

IF exposed or concerned: Get medical advice/attention.

Dispose of contents/container in accordance with local/regional/national/international regulations.

**NFPA ratings (scale 0 - 4)**



Health = 2

Fire = 1

Reactivity = 1

## Safety Data Sheet

Printing date 10/28/2016

Version Number 1.0

Reviewed on 10/28/2016

Trade name: *Bituthene Liquid Membrane Part A*

(Cont. from page 1)

**HMIS-ratings (scale 0 - 4)**

HEALTH	2
FIRE	1
REACTIVITY	1

Health = \*2

Flammability = 1

Reactivity = 1

**Other hazards****Results of PBT and vPvB assessment****PBT:** Not applicable.**vPvB:** Not applicable.**3 Composition/information on ingredients****Chemical characterization: Mixture****Description:** Mixture of the hazardous substance(s) listed below with additional nonhazardous ingredients.**Hazardous components:**

8052-42-4	Asphalt	20-25%
64742-04-7	Extracts (petroleum), heavy paraffinic distillate solvent	10-20%
130498-29-2	Polycyclic Aromatic Hydrocarbons	0.1-0.3%

**Additional information:** Non-hazardous ingredients may be listed in Section 15; Right-To-Know disclosure.**4 First-aid measures****Description of first aid measures****General information:**

Get medical advice/attention if you feel unwell.

**After inhalation:**

If symptoms develop, supply fresh air. If required, provide artificial respiration and seek immediate medical treatment.

**After skin contact:**

Immediately wash contaminated skin with soap or mild detergent and water. If this chemical soaks clothing, immediately remove clothing and wash skin.

If residue remains, clean with waterless handcream or abrasive soap. Never use solvents.

**After eye contact:**

If contact with residue causes eye irritation, flush eyes with water for at least 15 minutes while holding eyelids open.

**After swallowing:** Do not induce vomiting; immediately call for medical help.**Information for doctor:****Most important symptoms and effects, both acute and delayed** No further relevant information available.**Indication of any immediate medical attention and special treatment needed** No further relevant information available.**5 Fire-fighting measures****Extinguishing media****Suitable extinguishing agents:** CO<sub>2</sub>, extinguishing powder or water spray. Fight larger fire with alcohol resistant foam.**Special hazards arising from the substance or mixture** No further relevant information available.**Additional information**

Cool endangered receptacles with water spray.

Collect contaminated fire fighting water separately. It must not enter the sewage system.

USGHS

(Cont. on page 3)

**Trade name: Bituthene Liquid Membrane Part A**

(Cont. from page 2)

**6 Accidental release measures****Personal precautions, protective equipment and emergency procedures**

Wear protective equipment. Keep unprotected persons away.

**Environmental precautions:** Do not allow product to reach sewage system or any water course.

**Methods and material for containment and cleaning up:**

Contain and/or absorb spill with inert material (i.e. sand, vermiculite) then place in a suitable container.

Sweep up spilled product into receptacles.

Pick up mechanically.

**Reference to other sections**

See Section 7 for information on safe handling.

See Section 8 for information on personal protection equipment.

See Section 13 for disposal information.

**7 Handling and storage****Handling:****Precautions for safe handling**

Open and handle receptacle with care.

Prevent formation of aerosols.

Avoid contact with skin and eyes.

**Information about protection against explosions and fires:** No special measures required.

**Conditions for safe storage, including any incompatibilities****Storage:**

**Information about storage in one common storage facility:** No special measures required.

**Further information about storage conditions:** Keep receptacle tightly sealed.

**Specific end use(s)** No further relevant information available.

**8 Exposure controls/personal protection**

**Additional information about design of technical systems:** No further data; see item 7.

**Control parameters****Components with limit values that require monitoring at the workplace:****8052-42-4 Asphalt**

REL (USA)	Ceiling limit value: 5* mg/m <sup>3</sup> *15-min; See Pocket Guide App. A
TLV (USA)	Long-term value: 0.5* mg/m <sup>3</sup> *inh. fraction; as benzene-soluble aerosol; BEIp

**Ingredients with biological limit values:****8052-42-4 Asphalt**

BEI (USA)	- Medium: urine Time: end of shift at end of workweek Parameter: 1-Hydroxypyrene with hydrolysis (nonquantitative)
-----------	---

**130498-29-2 Polycyclic Aromatic Hydrocarbons**

BEI (USA)	Medium: urine Time: end of shift at end of workweek Parameter: 1-Hydroxypyrene with hydrolysis (nonquantitative)
-----------	--

**Additional information:** The lists that were valid during the creation were used as basis.

(Cont. on page 4)

USGHS

**Trade name: Bituthene Liquid Membrane Part A**

(Cont. from page 3)

**Exposure controls**
**Personal protective equipment:**
**General protective and hygienic measures:**

The usual precautionary measures for handling chemicals should be followed.

Store protective clothing separately.

**Breathing equipment:**

Control exposure to ingredients with workplace control parameters if mentioned above. If no ingredients are listed, respiratory protection is generally not required.

If exposure limits are listed and may be exceeded, use approved respiratory protective equipment and filter type appropriate for the listed ingredients. (NIOSH, CEN, etc.).

**Protection of hands:** Gloves should be worn to prevent skin contact and should be impermeable and resistant to the product.

**Material of gloves** Gloves should be worn to prevent skin contact and should be impermeable and resistant to the product.

**Eye protection:**


Safety glasses with side shield protection.



A face shield should also be worn if there is potential exposure to splash or spray.

**Body protection:**

Use personal protective equipment as required.

Take off contaminated clothing.

**9 Physical and chemical properties**
**Information on basic physical and chemical properties**
**General Information**
**Appearance:**

<b>Form:</b>	Liquid
<b>Color:</b>	According to product specification
<b>Odor:</b>	Characteristic
<b>Odor threshold:</b>	Not determined.

**pH-value (~):** Not determined.

**Change in condition**

<b>Melting point/Melting range:</b>	Undetermined.
<b>Boiling point/Boiling range:</b>	Undetermined.
<b>Flash point:</b>	200 °C (392 °F)

**Flammability (solid, gaseous):** Not applicable.

<b>Decomposition temperature:</b>	Not determined.
<b>Auto igniting:</b>	Product is not selfigniting.
<b>Danger of explosion:</b>	Product does not present an explosion hazard.

**Explosion limits:**

<b>Lower:</b>	Not determined.
<b>Upper:</b>	Not determined.
<b>VOC Content (max):</b>	Not determined.

<b>Vapor pressure:</b>	Not determined.
<b>Density: (~) at 20 °C (68 °F)</b>	1.1 g/cm <sup>3</sup> (9.18 lbs/gal)
<b>Relative density</b>	Not determined.
<b>Vapor density</b>	Not determined.
<b>Evaporation rate</b>	Not determined.

(Cont. on page 5)

USGHS

## Safety Data Sheet

Printing date 10/28/2016

Version Number 1.0

Reviewed on 10/28/2016

Trade name: *Bituthene Liquid Membrane Part A*

(Cont. from page 4)

**Solubility in / Miscibility with Water:** Not miscible or difficult to mix.

**Partition coefficient (n-octanol/water):** Not determined.

**Viscosity:**

**Dynamic:** Not determined.

**Kinematic:** Not determined.

**Molecular weight** Not applicable.

**Other information** No further relevant information available.

**10 Stability and reactivity**

**Reactivity** Stable under normal conditions.

**Chemical stability**

**Thermal decomposition:** No decomposition if used according to specifications.

**Possibility of hazardous reactions** No further relevant information available.

**Conditions to avoid** No further relevant information available.

**Incompatible materials:** No further relevant information available.

**Hazardous decomposition products:**

Carbon monoxide and carbon dioxide

Other potentially hazardous products may also be formed.

**Additional information:** See section 7 for information on handling, storage and conditions to be avoided.

**11 Toxicological information****Information on toxicological effects****Acute toxicity:****Primary irritant effect:**

**on the skin:** No irritating effect expected

**on the eye:** No irritating effect expected

**inhalation:** No irritating effect expected

**Additional toxicological information:** May cause cancer.

**Carcinogenic categories**

**IARC (International Agency for Research on Cancer) Human Carcinogenicity:**  
Group 1- Positive, Group 2A- Probable, Group 2B- Possible, Group 3- Not Classifiable

69012-64-2	Silica, fume	3
8052-42-4	Asphalt	2B
64742-04-7	Extracts (petroleum), heavy paraffinic distillate solvent	1
130498-29-2	Polycyclic Aromatic Hydrocarbons	2A

**NTP (National Toxicology Program)**

**K–Known to be carcinogenic, R–May reasonably be anticipated to be carcinogenic**

None of the ingredients is listed.

**OSHA-Ca (Occupational Safety & Health Administration)**

None of the ingredients is listed.

USGHS  
(Cont. on page 6)

Trade name: *Bituthene Liquid Membrane Part A*

(Cont. from page 5)

**12 Ecological information****Toxicity****Aquatic toxicity:**

64742-04-7 Extracts (petroleum), heavy paraffinic distillate solvent

LC/EC/IC50 (static) | 18.8 mg/l (algae) (OECD guideline 201)

**Persistence and degradability** No further relevant information available.**Behavior in environmental systems:****Bioaccumulative potential** No further relevant information available.**Mobility in soil** No further relevant information available.**Additional ecological information:****General notes:** Not known to be hazardous to water.**Results of PBT and vPvB assessment****PBT:** Not applicable.**vPvB:** Not applicable.**Other adverse effects** No further relevant information available.**13 Disposal considerations****Waste treatment methods** Comply with Federal, State and local regulations.**Recommendation:**

Must not be disposed of together with household garbage. Do not allow product to reach sewage system.

**Uncleaned packagings:****Recommendation:** Disposal must be made according to official regulations.**14 Transport information****UN-Number**

DOT, IMDG, IATA

Not applicable.

**UN proper shipping name**

DOT, IMDG, IATA

Not applicable.

**Transport hazard class(es)**

DOT, IMDG, IATA

Class

Not applicable.

**Packing group**

DOT, IMDG, IATA

Not applicable.

**Environmental hazards:****Marine pollutant:**

No

**Special precautions for user**

Not applicable.

**Transport/Additional information:** Not classified as a dangerous good for transport by road, rail or air.**DOT****Remarks:**

Not Regulated.

(Cont. on page 7)

USGHS

## Safety Data Sheet

Printing date 10/28/2016

Version Number 1.0

Reviewed on 10/28/2016

Trade name: *Bituthene Liquid Membrane Part A*

(Cont. from page 6)

UN "Model Regulation": Not applicable.

**15 Regulatory information****SARA (Superfund Amendments and Reauthorization Act)****Section 302/304 (extremely hazardous substances):**

None of the ingredients is listed.

**Section 313 Reportable Ingredients (Chemicals present below reporting threshold are exempt):**

None of the ingredients is listed.

**SARA Section 312/Tier I & II Hazard Categories:** Health Hazard - Carcinogenicity**North America Chemical Inventory Status****TSCA (Toxic Substances Control Act - United States):**

All ingredients are listed or exempt from listing unless otherwise noted below.

**CEPA (Canadian DSL):**

All ingredients are listed or exempt from listing unless otherwise noted below.

**Right to Know Ingredient Disclosure:**

69012-64-2	Silica, fume
69102-90-5	1,3-Butadiene, homopolymer, hydroxy-terminated
25791-96-2	Glycerol, propylene oxide polymer
8001-78-3	Castor oil, hydrogenated
1332-58-7	Natural aluminosilicate (Kaolin)

**California Proposition 65****Chemicals known to cause cancer:**

Extracts (petroleum), heavy paraffinic distillate solvent

Polycyclic Aromatic Hydrocarbons

Quartz (SiO<sub>2</sub>)

4-vinylcyclohexene

1,3-Butadiene

**Chemicals known to cause reproductive toxicity for females:**

100-40-3 | 4-vinylcyclohexene

106-99-0 | 1,3-Butadiene

**Chemicals known to cause reproductive toxicity for males:**

106-99-0 | 1,3-Butadiene

**Chemicals known to cause developmental toxicity:**

106-99-0 | 1,3-Butadiene

**Carcinogenicity Categories****EPA (Environmental Protection Agency)**

None of the ingredients is listed.

**TLV-ACGIH (THE American Conference of Governmental Industrial Hygienists)****Human Carcinogen - A1 Confirmed, A2 Suspected, A3 Unknown Relevance, A4 Not Classifiable**

Asphalt

A4

Natural aluminosilicate (Kaolin)

A4

**NIOSH-Cancer (National Institute for Occupational Safety and Health)**

8052-42-4 | Asphalt

**Volatile Organic Compounds (VOC) reported per the Emission Standards.** (gr/L) 10 gr/L (as applied)**16 Other information**

The data included herein are presented in accordance with various environment, health and safety regulations. It is the responsibility of a recipient of the data to remain currently informed on chemical hazard information, to design and update its own program and to comply with all national, federal, state and local laws and regulations applicable to safety, occupational health, right-to-know and environmental protection.

(Cont. on page 8)

USGHS



## Safety Data Sheet

Printing date 10/28/2016

Version Number 1.0

Reviewed on 10/28/2016

**Trade name: *Bituthene Liquid Membrane Part A***

(Cont. from page 7)

**Department issuing SDS:**

GCP Applied Technologies  
62 Whittemore Avenue  
Cambridge, MA 02140 USA  
USA: +1-617-876-1400 (24 hours)  
+1-800-354-5414

**Other Information:**

There is sufficient information to conclude that the relative risk of lung cancer is increased in persons with silicosis. Therefore preventing the onset of silicosis will also reduce the cancer risk.

**Date of preparation / last revision** 10/28/2016 / -

**The first date of preparation** 03/03/2015

**Number of revision times and the latest revision date** 1.0 / 10/28/2016

USGHS

## 1 Identification

### Product identifier

Trade name: *Bituthene Liquid Membrane & Deck Prep Part B*

SDS ID Number: 583

Relevant identified uses of the substance or mixture, and uses advised against  
Specialty construction product. Not intended for other uses

### Details of the supplier of the safety data sheet

#### Manufacturer/Supplier:

GCP Applied Technologies  
62 Whittemore Avenue  
Cambridge, MA 02140 USA

GCP Canada, Inc.  
294 Clements Road W.  
Ajax, Ontario L1S 3C6 Canada

#### Information department:

Environmental Health & Safety  
USA: +1-617-876-1400 (24 hours)  
+1-800-354-5414 (8AM - 5PM) Not functional within Massachusetts  
CAN: 1-905-683-8561 (24 hours)  
Email address: msds.gcp@gcpat.com

Transport Emergency: Chemtrec +1-800-424-9300 (24 hours)

## 2 Hazard(s) identification

### Classification of the substance or mixture

Harmful if inhaled.  
Causes skin irritation.  
Causes serious eye irritation.  
May cause allergy or asthma symptoms or breathing difficulties if inhaled.  
May cause an allergic skin reaction.  
Suspected of causing cancer.  
May cause respiratory irritation.  
May cause damage to organs through prolonged or repeated exposure.

**Label elements:** The product is classified and labeled according to the Globally Harmonized System (GHS)

#### Hazard pictograms



GHS07 GHS08

Danger

#### Hazard statements

Harmful if inhaled.  
Causes skin irritation.  
Causes serious eye irritation.  
May cause allergy or asthma symptoms or breathing difficulties if inhaled.  
May cause an allergic skin reaction.  
Suspected of causing cancer.  
May cause respiratory irritation.

## Safety Data Sheet

Printing date 10/31/2016

Version Number 1.2

Reviewed on 10/31/2016

**Trade name: Bituthene Liquid Membrane & Deck Prep Part B**

(Cont. from page 1)

May cause damage to organs through prolonged or repeated exposure.

**Precautionary statements**

Avoid breathing dust/fume/gas/mist/vapors/spray

[In case of inadequate ventilation] wear respiratory protection.

Wear eye protection / face protection.

If in eyes: Rinse cautiously with water for several minutes. Remove contact lenses, if present and easy to do. Continue rinsing.

IF ON SKIN: Wash with plenty of water.

If skin irritation or rash occurs: Get medical advice/attention.

If eye irritation persists: Get medical advice/attention.

IF INHALED: Remove person to fresh air and keep comfortable for breathing.

IF exposed or concerned: Get medical advice/attention.

**NFPA ratings (scale 0 - 4)**

Health = 2

Fire = 1

Reactivity = 1

**HMIS-ratings (scale 0 - 4)**

Health = \*2

Flammability = 1

Reactivity = 1

**Other hazards****Results of PBT and vPvB assessment**

**PBT:** Not applicable.

**vPvB:** Not applicable.

**3 Composition/information on ingredients****Chemical characterization: Mixture**

**Description:** Mixture of the hazardous substance(s) listed below with additional nonhazardous ingredients.

**Hazardous components:**

26447-40-5	Methylenediphenyl diisocyanate, mixture of isomers	30-50%
101-68-8	Diphenylmethane-4,4'-di-isocyanate	30-50%
61788-32-7	Terphenyl plasticiser, hydrogenated	10-20%
78-40-0	Triethylphosphate	1.0-3.0%

**Additional information:** Non-hazardous ingredients may be listed in Section 15; Right-To-Know disclosure.

**4 First-aid measures****Description of first aid measures**

**General information:** Get medical advice/attention if you feel unwell.

**After inhalation:** Supply fresh air; consult doctor in case of complaints.

**After skin contact:**

Immediately wash contaminated skin with soap or mild detergent and water. If this chemical soaks clothing, immediately remove clothing and wash skin.

**After eye contact:**

Rinse opened eye for several minutes under running water.

Seek immediate medical advice.

**After swallowing:**

Rinse mouth.

Never give anything by mouth to an unconscious person.

Do not induce vomiting; immediately call for medical help.

(Cont. on page 3)

USGHS

## Safety Data Sheet

Printing date 10/31/2016

Version Number 1.2

Reviewed on 10/31/2016

**Trade name: *Bituthene Liquid Membrane & Deck Prep Part B***

(Cont. from page 2)

**Information for doctor:**

**Most important symptoms and effects, both acute and delayed** No further relevant information available.

**Indication of any immediate medical attention and special treatment needed** No further relevant information available.

**5 Fire-fighting measures**

**Special hazards arising from the substance or mixture** No further relevant information available.

**Additional information**

Cool endangered receptacles with water spray.

Collect contaminated fire fighting water separately. It must not enter the sewage system.

**6 Accidental release measures****Personal precautions, protective equipment and emergency procedures**

Wear protective equipment. Keep unprotected persons away.

**Methods and material for containment and cleaning up:**

Contain and/or absorb spill with inert material (i.e. sand, vermiculite) then place in a suitable container.

Sweep up spilled product into receptacles.

Dispose contaminated material as waste according to section 13 of the SDS.

**Reference to other sections**

See Section 7 for information on safe handling.

See Section 8 for information on personal protection equipment.

See Section 13 for disposal information.

**7 Handling and storage****Handling:****Precautions for safe handling**

Open and handle receptacle with care.

Prevent formation of aerosols.

Avoid contact with skin.

Avoid contact with eyes.

**Information about protection against explosions and fires:** No special measures required.

**Conditions for safe storage, including any incompatibilities****Storage:**

**Information about storage in one common storage facility:** No special measures required.

**Further information about storage conditions:** Keep receptacle tightly sealed.

**Specific end use(s)** No further relevant information available.

**8 Exposure controls/personal protection**

**Additional information about design of technical systems:** No further data; see item 7.

(Cont. on page 4)

USGHS

**Trade name: Bituthene Liquid Membrane & Deck Prep Part B**

(Cont. from page 3)

**Control parameters**
**Components with limit values that require monitoring at the workplace:**
**101-68-8 Diphenylmethane-4,4'-di-isocyanate**

PEL (USA)	Ceiling limit value: 0.2 mg/m <sup>3</sup> , 0.02 ppm
REL (USA)	Long-term value: 0.05 mg/m <sup>3</sup> , 0.005 ppm Ceiling limit value: 0.2* mg/m <sup>3</sup> , 0.02* ppm *10-min
TLV (USA)	Long-term value: 0.051 mg/m <sup>3</sup> , 0.005 ppm

**61788-32-7 Terphenyl plasticiser, hydrogenated**

REL (USA)	Long-term value: 5 mg/m <sup>3</sup> , 0.5 ppm
TLV (USA)	Long-term value: 4.9 mg/m <sup>3</sup> , 0.5 ppm nonirradiated

**78-40-0 Triethylphosphate**

WEEL (USA)	Long-term value: 7.45 mg/m <sup>3</sup>
------------	---

**Additional information:** The lists that were valid during the creation were used as basis.

**Exposure controls**
**Personal protective equipment:**
**General protective and hygienic measures:**

Avoid contact with the eyes and skin.

The usual precautionary measures for handling chemicals should be followed.

**Breathing equipment:**

Control exposure to ingredients with workplace control parameters if mentioned above. If no ingredients are listed, respiratory protection is generally not required.

If exposure limits are listed and may be exceeded, use approved respiratory protective equipment and filter type appropriate for the listed ingredients. (NIOSH, CEN, etc.).

**Protection of hands:** Gloves should be worn to prevent skin contact and should be impermeable and resistant to the product.

**Material of gloves** Gloves should be worn to prevent skin contact and should be impermeable and resistant to the product.

**Eye protection:**


Safety glasses with side shield protection.

Safety glasses with side shields should be worn to prevent contact due to splashing. Under high vapor mist concentrations, tightly sealed goggles should be worn.



A face shield should also be worn if there is potential exposure to splash or spray.

**Body protection:**

Protective work clothing

Use personal protective equipment as required.

Take off contaminated clothing.

**9 Physical and chemical properties**
**Information on basic physical and chemical properties**
**General Information**
**Appearance:**

<b>Form:</b>	Liquid
<b>Color:</b>	According to product specification
<b>Odor:</b>	Characteristic

(Cont. on page 5)

USGHS

## Safety Data Sheet

Printing date 10/31/2016

Version Number 1.2

Reviewed on 10/31/2016

Trade name: *Bituthene Liquid Membrane & Deck Prep Part B*

(Cont. from page 4)

<b>Odor threshold:</b>	Not determined.
<b>pH-value (~):</b>	Not determined.
<b>Change in condition</b>	
<b>Melting point/Melting range:</b>	Undetermined.
<b>Boiling point/Boiling range:</b>	208 °C (406 °F)
<b>Flash point:</b>	212 °C (414 °F)
<b>Flammability (solid, gaseous):</b>	Not applicable.
<b>Decomposition temperature:</b>	Not determined.
<b>Auto igniting:</b>	Product is not selfigniting.
<b>Danger of explosion:</b>	Product does not present an explosion hazard.
<b>Explosion limits:</b>	
<b>Lower:</b>	Not determined.
<b>Upper:</b>	Not determined.
<b>VOC Content (max):</b>	Not determined.
<b>Vapor pressure:</b>	Not determined.
<b>Density: (~)</b>	Not determined.
<b>Relative density</b>	Not determined.
<b>Vapor density</b>	Not determined.
<b>Evaporation rate</b>	Not determined.
<b>Solubility in / Miscibility with</b>	
<b>Water:</b>	Not miscible or difficult to mix. Not miscible or difficult to mix.
<b>Partition coefficient (n-octanol/water):</b>	Not determined.
<b>Viscosity:</b>	
<b>Dynamic:</b>	Not determined.
<b>Kinematic:</b>	Not determined.
<b>Molecular weight</b>	Not applicable.
<b>Other information</b>	These are typical values and do not constitute a specification.

\* **10 Stability and reactivity**

**Reactivity** Stable under normal conditions.

**Chemical stability**

**Thermal decomposition:** No decomposition if used according to specifications.

**Possibility of hazardous reactions** No further relevant information available.

**Conditions to avoid** No further relevant information available.

**Incompatible materials:** No further relevant information available.

**Hazardous decomposition products:**

Carbon monoxide and carbon dioxide  
(possible HCN)

Other potentially hazardous products may also be formed.

**Additional information:** See section 7 for information on handling, storage and conditions to be avoided.

\* **11 Toxicological information**

**Delayed and immediate effects and chronic effects from short or long term exposure**

May cause damage to organs through prolonged or repeated exposure.

(Cont. on page 6)

USGHS

## Safety Data Sheet

Printing date 10/31/2016

Version Number 1.2

Reviewed on 10/31/2016

Trade name: *Bituthene Liquid Membrane & Deck Prep Part B*

(Cont. from page 5)

**Information on toxicological effects****Acute toxicity:****LD/LC50 values relevant for classification:****101-68-8 Diphenylmethane-4,4'-di-isocyanate**

Oral	LD50	> 10000 mg/kg (rat)
Dermal	LD50	> 9400 mg/kg (rabbit)
Inhalation	LC50, 4h	0.49 mg/l (rat)

**Primary irritant effect:****on the skin:** Causes skin irritation.**on the eye:** Causes serious eye irritation.**inhalation:**

Harmful if inhaled.

Causes damage to organs.

May cause respiratory irritation.

**Ingestion:** May cause damage to organs through prolonged or repeated exposure.**Sensitization:**

May cause allergy or asthma symptoms or breathing difficulties if inhaled.

May cause an allergic skin reaction.

**Additional toxicological information:** Suspected of causing cancer.**Carcinogenic categories****IARC (International Agency for Research on Cancer) Human Carcinogenicity:****Group 1- Positive, Group 2A- Probable, Group 2B- Possible, Group 3- Not Classifiable**

101-68-8 | Diphenylmethane-4,4'-di-isocyanate

3

**NTP (National Toxicology Program)****K–Known to be carcinogenic, R–May reasonably be anticipated to be carcinogenic**

None of the ingredients is listed.

**OSHA-Ca (Occupational Safety & Health Administration)**

None of the ingredients is listed.

**12 Ecological information****Toxicity****Aquatic toxicity:** No further relevant information available.**Persistence and degradability** No further relevant information available.**Behavior in environmental systems:****Bioaccumulative potential** No further relevant information available.**Mobility in soil** No further relevant information available.**Additional ecological information:****General notes:**

Do not allow undiluted product or large quantities of it to reach ground water, water course or sewage system.

**Results of PBT and vPvB assessment****PBT:** Not applicable.**vPvB:** Not applicable.**Other adverse effects** No further relevant information available.

USGHS

(Cont. on page 7)

## Safety Data Sheet

Printing date 10/31/2016

Version Number 1.2

Reviewed on 10/31/2016

Trade name: *Bituthene Liquid Membrane & Deck Prep Part B*

(Cont. from page 6)

**13 Disposal considerations****Waste treatment methods****Recommendation:**

Must not be disposed of together with household garbage. Do not allow product to reach sewage system.

**Uncleaned packagings:**

**Recommendation:** Disposal must be made according to official regulations.

**14 Transport information****UN-Number**

DOT, IMDG, IATA

Not applicable.

**UN proper shipping name**

DOT, IMDG, IATA

Not applicable.

**Transport hazard class(es)**

DOT, IMDG, IATA

Class

Not applicable.

**Packing group**

DOT, IMDG, IATA

Not applicable.

**Environmental hazards:****Marine pollutant:**

No

**Special precautions for user**

Not applicable.

**Transport/Additional information:** Not classified as a dangerous good for transport by road, rail or air.

**DOT****Remarks:**

Not Regulated.

**UN "Model Regulation":**

Not applicable.

**15 Regulatory information****SARA (Superfund Amendments and Reauthorization Act)****Section 302/304 (extremely hazardous substances):**

None of the ingredients is listed.

**Section 313 Reportable Ingredients (Chemicals present below reporting threshold are exempt):**

101-68-8 | Diphenylmethane-4,4'-di-isocyanate

30.9%

**SARA Section 312/Tier I & II Hazard Categories:**

Health Hazard - Carcinogenicity

Health Hazard - Acute toxicity (any route of exposure)

Health Hazard - Skin Corrosion or Irritation

Health Hazard - Respiratory or Skin Sensitization

Health Hazard - Serious eye damage or eye irritation

Health Hazard - Specific target organ toxicity (single or repeated exposure)

**North America Chemical Inventory Status****TSCA (Toxic Substances Control Act - United States):**

All ingredients are listed or exempt from listing unless otherwise noted below.

**CEPA (Canadian DSL):**

All ingredients are listed or exempt from listing unless otherwise noted below.

**Right to Know Ingredient Disclosure:**

39310-05-9 | Methylenebis(isocyanatobenzene) polymer

(Cont. on page 8)

USGHS



## Safety Data Sheet

Printing date 10/31/2016

Version Number 1.2

Reviewed on 10/31/2016

**Trade name: Bituthene Liquid Membrane & Deck Prep Part B**

(Cont. from page 7)

68956-74-1	Quaterphenyls
26140-60-3	Terphenyl plasticiser unhydrogenated

**California Proposition 65****Chemicals known to cause cancer:**

None of the ingredients is listed.

**Chemicals known to cause reproductive toxicity for females:**

None of the ingredients is listed.

**Chemicals known to cause reproductive toxicity for males:**

None of the ingredients is listed.

**Chemicals known to cause developmental toxicity:**

None of the ingredients is listed.

**Carcinogenicity Categories****EPA (Environmental Protection Agency)**

101-68-8	Diphenylmethane-4,4'-di-isocyanate	D, CBD
----------	------------------------------------	--------

**TLV-ACGIH (THE American Conference of Governmental Industrial Hygienists)****Human Carcinogen - A1 Confirmed, A2 Suspected, A3 Unknown Relevance, A4 Not Classifiable**

None of the ingredients is listed.

**NIOSH-Cancer (National Institute for Occupational Safety and Health)**

None of the ingredients is listed.

**Volatile Organic Compounds (VOC) reported per the Emission Standards.** (gr/L) 10 gr/L (as applied)**16 Other information**

The data included herein are presented in accordance with various environment, health and safety regulations. It is the responsibility of a recipient of the data to remain currently informed on chemical hazard information, to design and update its own program and to comply with all national, federal, state and local laws and regulations applicable to safety, occupational health, right-to-know and environmental protection.

**Department issuing SDS:**

GCP Applied Technologies  
62 Whittemore Avenue  
Cambridge, MA 02140 USA  
USA: +1-617-876-1400 (24 hours)  
+1-800-354-5414

**Date of preparation / last revision** 10/31/2016 / 1.1**The first date of preparation** 08/03/2006**Number of revision times and the latest revision date** 1.2 / 10/31/2016

USGHS

# FLORPRUFE® Vapor Barrier Membrane

## Five Year Material Warranty

WARRANTY NO. \_\_\_\_\_

NAME OF BUILDING \_\_\_\_\_

LOCATION OF BUILDING \_\_\_\_\_

NAME OF OWNER \_\_\_\_\_

CONTRACTOR \_\_\_\_\_

PRODUCT(S) USED FLORPRUFE® 120

TOTAL AREA (SF) \_\_\_\_\_

DATE OF COMPLETED INSTALLATION \_\_\_\_\_

GCP Applied Technologies Inc. ("GCP") hereby warrants that for a period of Five (5) years from the date of completion of installation identified above:

1. Vapor will not pass directly through any individual FLORPRUFE® Membrane as a result of deterioration of the Membrane caused by ordinary wear and tear and the effects thereof.
2. The FLORPRUFE® Membrane will bridge ruptures caused by cracking of the immediate substrate up to 1/16th of an inch wide.

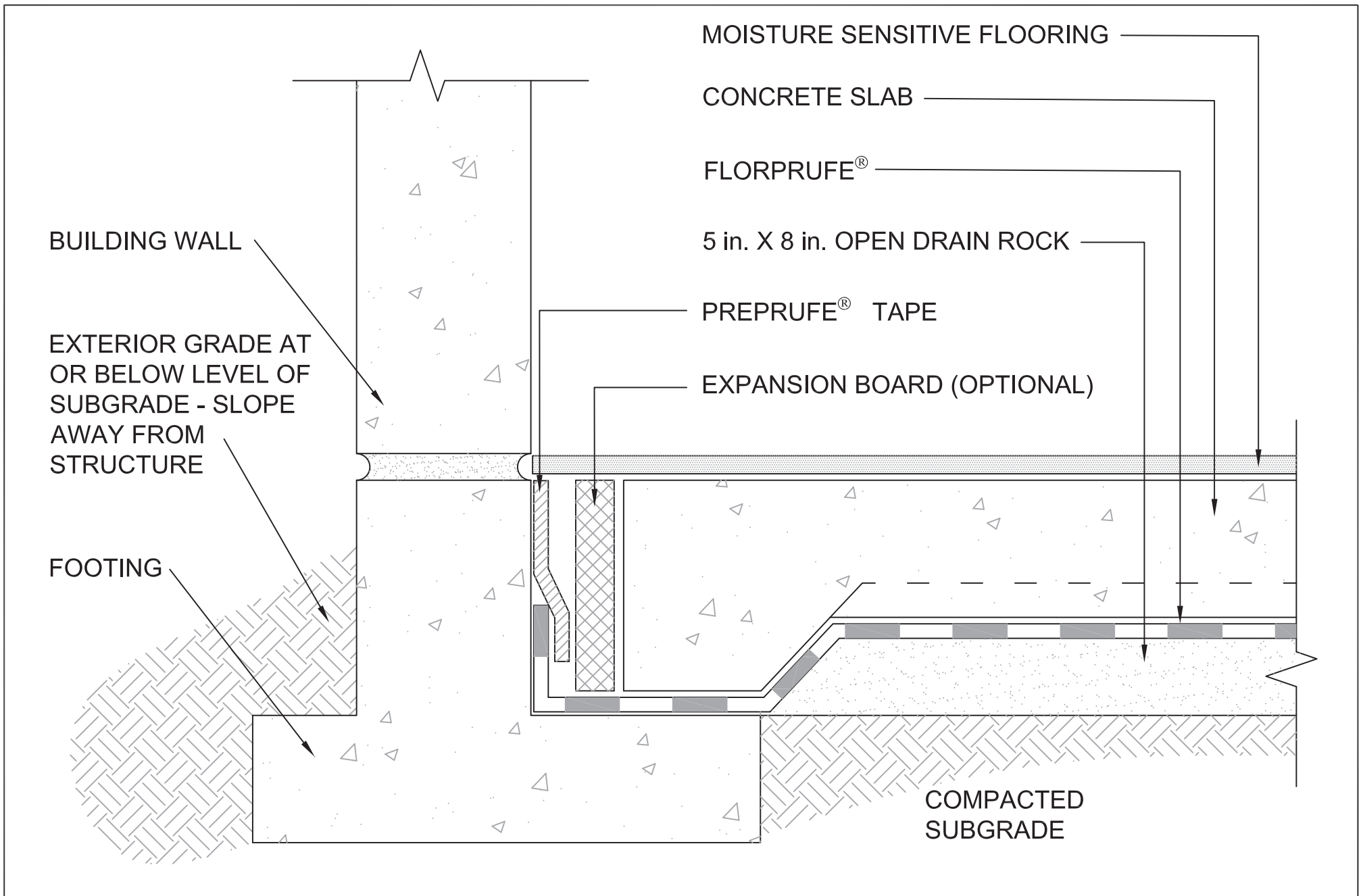
If at any time during such Five (5) year period the FLORPRUFE® Membrane is found by GCP not to comply with this warranty, then GCP will supply to the owner replacement FLORPRUFE® Membrane in a quantity equal to the material found to be nonconforming, with a value not to exceed the purchase price for the material paid to GCP for the original installation.

This warranty does not apply to any failure caused by or due to workmanship or improper installation of the FLORPRUFE® Membrane, abuse of the FLORPRUFE® Membrane, or chemical incompatibility with other materials, acts of God, inadequate or faulty design of the subject structure or to repairs or installations made by other persons. In addition, this warranty does not cover any costs or expenses associated with 1) the removal, excavation or replacement of any material in connection with the testing, repair, removal or replacement of the FLORPRUFE® Membrane and, 2) damages or repairs of any kind or nature to the subject building or its contents from leaking water or otherwise.

THE FOREGOING WARRANTY IS EXCLUSIVE AND IS IN LIEU OF ANY AND ALL OTHER GUARANTEES OR WARRANTIES, EXPRESS OR IMPLIED, INCLUDING WITHOUT LIMITATION THE IMPLIED WARRANTY OF MERCHANTABILITY AND FITNESS FOR A PARTICULAR PURPOSE. THE REMEDIES OF THE OWNER FOR ANY BREACH OF THIS WARRANTY SHALL BE LIMITED TO THOSE HEREIN PROVIDED TO THE EXCLUSION OF ANY AND ALL OTHER REMEDIES. GCP SHALL NOT BE LIABLE IN ANY CASE FOR ANY DAMAGE TO THE BUILDING OR THE CONTENTS THEREOF, NOR WILL IT BE RESPONSIBLE FOR SPECIAL, INCIDENTAL, CONSEQUENTIAL, OR PENAL DAMAGES. NO AGREEMENT VARYING OR EXTENDING THE FOREGOING WARRANTY REMEDIES WILL BE BINDING UPON GCP UNLESS IN WRITING, SIGNED BY A DULY AUTHORIZED OFFICER OF GCP.

GCP Applied Technologies Inc.

By Title \_\_\_\_\_ Date \_\_\_\_\_



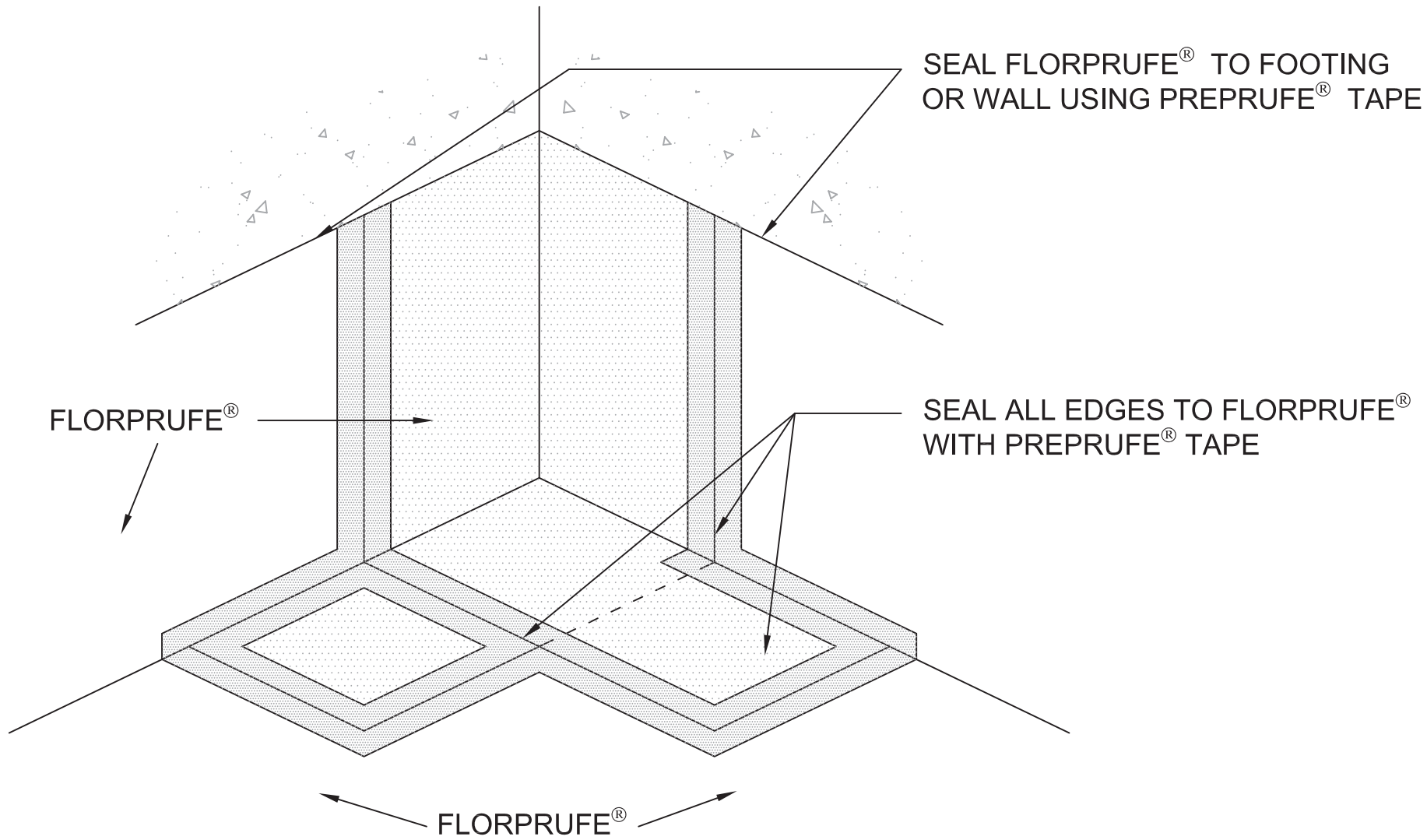
# FLORPRUFE® 120 VAPOR BARRIER TYPICAL ASSEMBLY

Drawing: FLRDET 201

Scale: NTS

021703

Effective Date: 02/14/2017



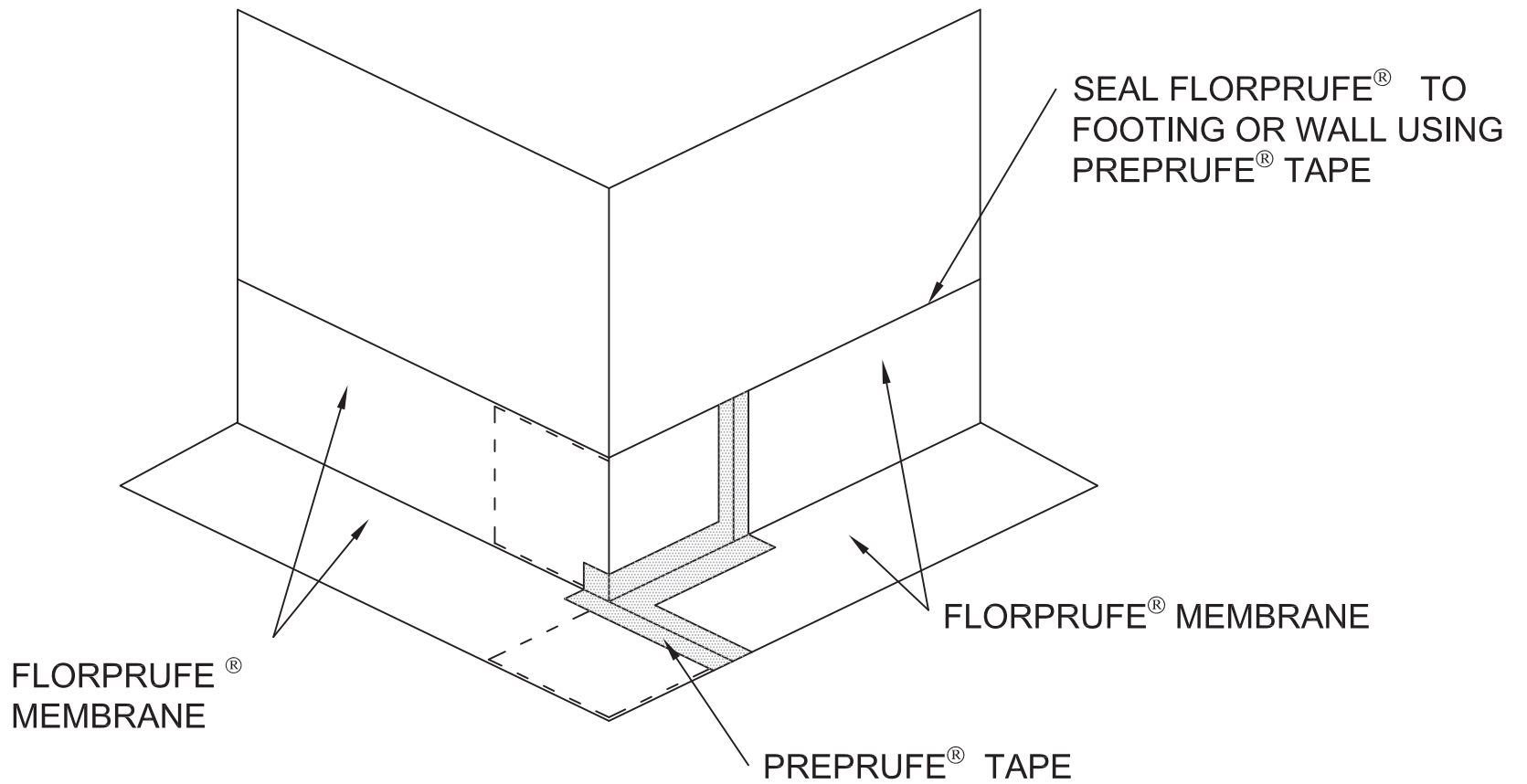
# FLORPRUFE® 120 VAPOR BARRIER INSIDE CORNER

Drawing: FLRDET 202

Scale: NTS

021703

Effective Date: 02/14/2017



# FLORPRUFE® 120 VAPOR BARRIER OUTSIDE CORNER

Drawing: FLRDET 203

Scale: NTS

021703

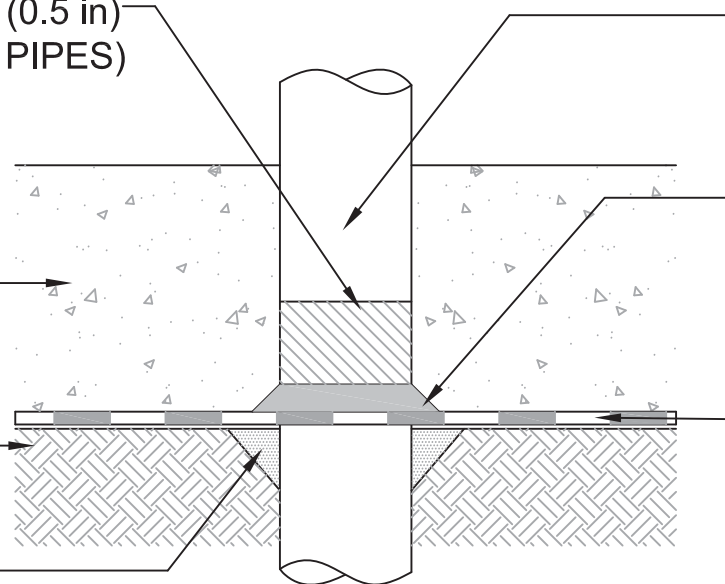
Effective Date: 2/15/2017

PREPRUFE<sup>®</sup> TAPE- POSITION 13mm (0.5 in)  
ABOVE FLORPRUFE<sup>®</sup> (FOR PLASTIC PIPES)

CONCRETE SLAB

COMPACTED  
SUBGRADE

GROUT SOLID



PIPE PENETRATION

BITUTHENE<sup>®</sup> LIQUID  
MEMBRANE 1 in.  
FILLET (2 in. ONTO  
PIPE & FLORPRUFE<sup>®</sup>)

FLORPRUFE<sup>®</sup>  
MEMBRANE

FOOTNOTE: ALL PENETRATIONS TO BE GROUTED.



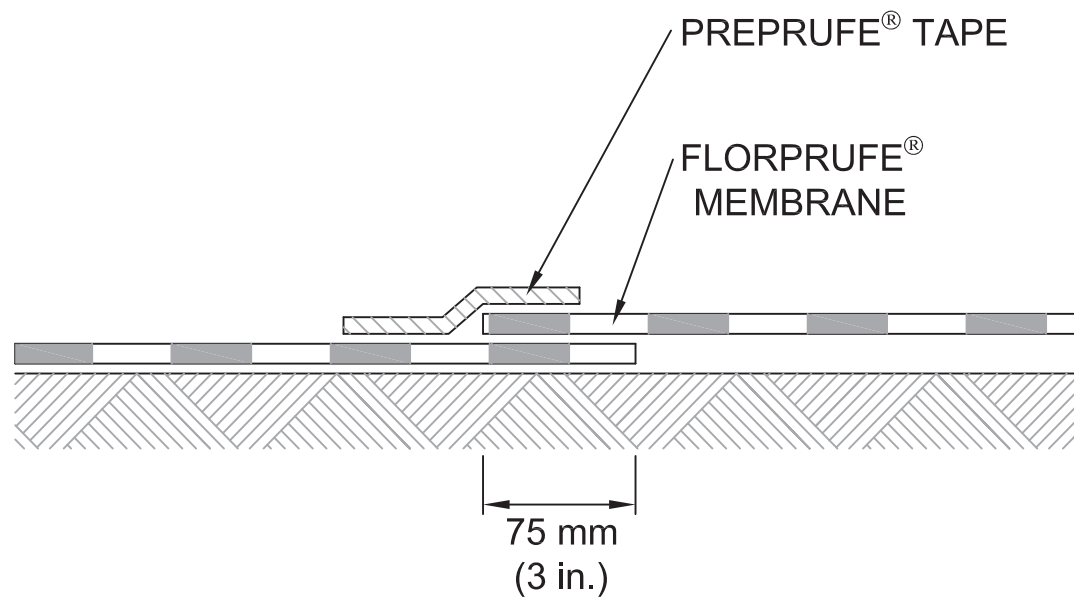
## FLORPRUFE<sup>®</sup> 120 VAPOR BARRIER PENETRATION

Drawing: FLRDET 204

Scale: NTS

021703

Effective Date: 02/15/2017



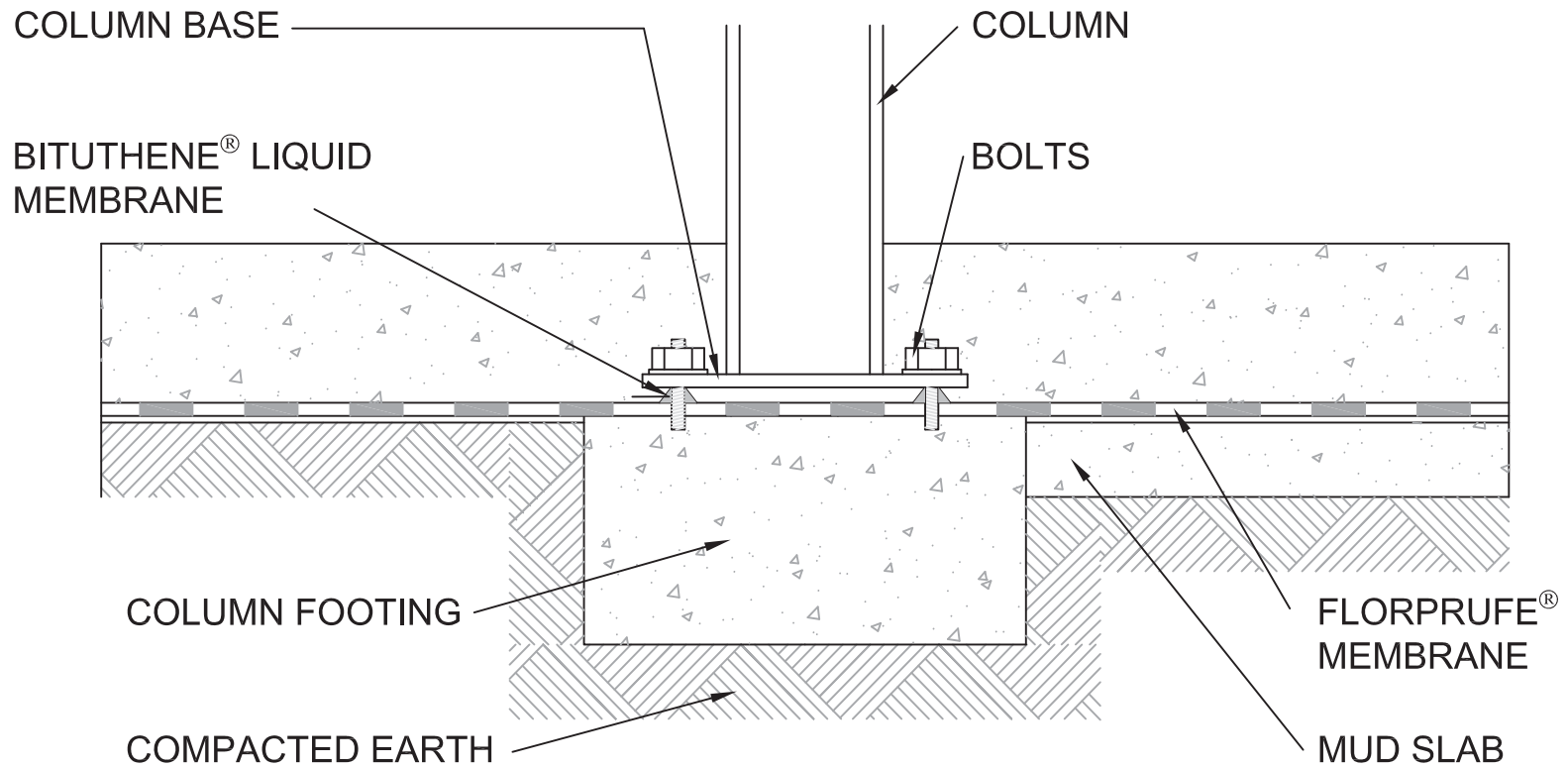
# FLORPRUFE® 120 VAPOR BARRIER TAPE LAP METHOD

Drawing: FLRDET 205

Scale: NTS

021703

Effective Date: 2/15/2017



# FLORPRUFE® 120 VAPOR BARRIER COLUMN

Drawing : FLRDET 206

Scale: NTS

021703

Effective Date: 02/15/2017