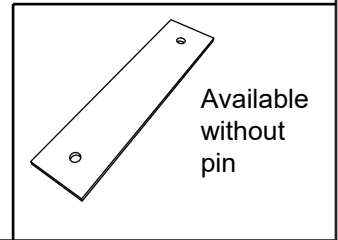
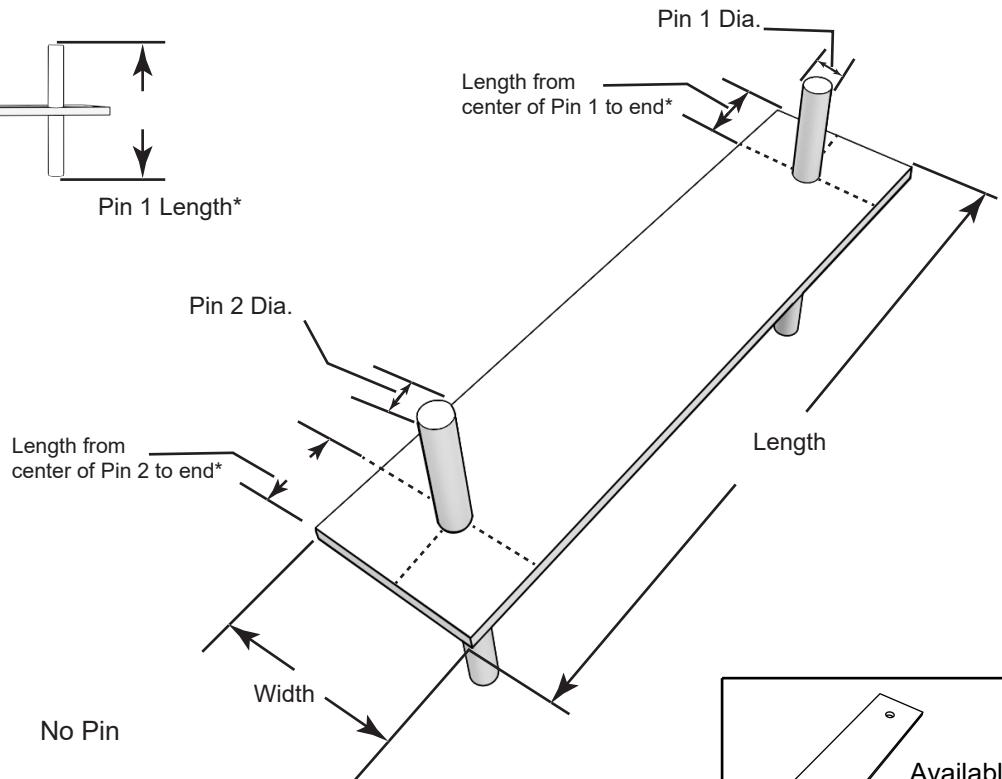


*Pins are available loose or welded in place. Pins furnished loose allow the installer to use the anchor as a template for drilling holes into the stone.



Pin Type:

PIN 1:	Pin Loose	Pin Welded	No Pin
PIN 2:	Pin Loose	Pin Welded	No Pin

QUANTITY: _____

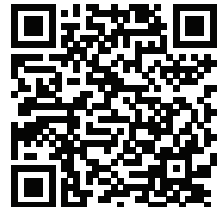
THICKNESS:

1/2"	3/8"	1/4"	3/16"
1/8"	14 ga	16 ga	

Stainless Plate Min. Fy. = 45,000 psi (ASTM A666)

MATERIAL TYPE:

- Type 304 Stainless Steel
- Type 316 Stainless Steel
- Zinc Alloy 710 Firewall
1/8" only - no welding of pin



CLICK OR SCAN FOR MATERIAL SPECIFICATIONS

PROJECT DETAILS:

LOCATION:

PROJECT NAME:

NOTES:

CONTACT INFO

NAME:

COMPANY:

PHONE:

E-MAIL:

Heckmann is not responsible for your choice of anchors and dimensions for your project. The choice of anchors and products should be decided by the architects or engineers knowledgeable with the project. Once a custom order has been placed it cannot be cancelled or returned. Any changes to the original order may require additional charges. Your signature is required for us to proceed. By signing this order, you agree that you have reviewed the details and specifications of the custom order and that said details and specifications are per your request. Further, by signing this order you are waiving any claim against or right of non-payment for products produced to the specifications of the order.

DATE:

ACCEPTED BY: