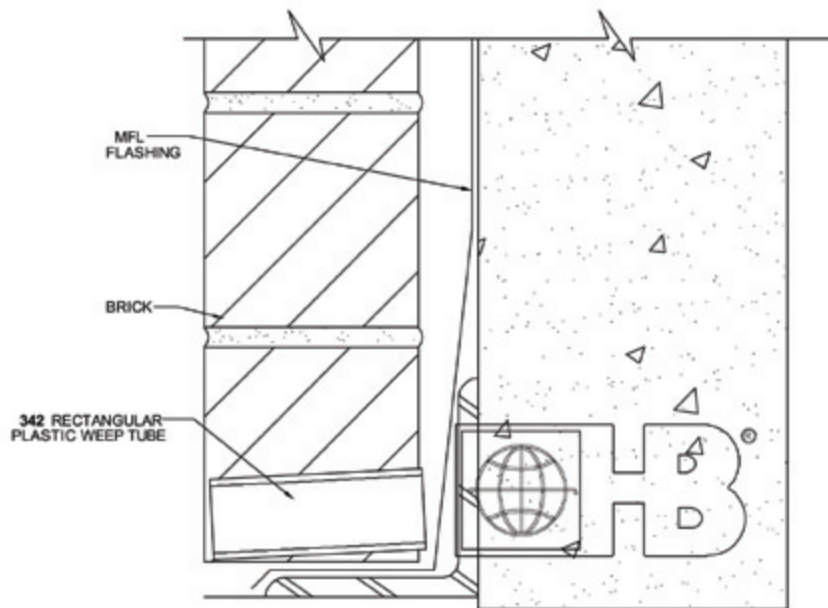
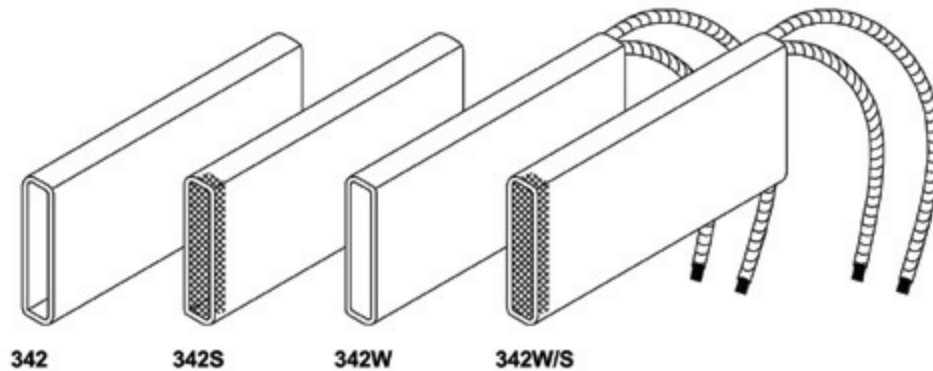




HOHMANN & BARNARD, INC.
A MiTek - BERKSHIRE HATHAWAY COMPANY

Weep Holes/Vents

342 Rectangular Plastic Weep Holes



DRAWINGS FOR ILLUSTRATIVE PURPOSES ONLY

Material:

Manufactured from Clear Butyrate. Tested in conformance with **ASTM D542**, **ASTM D149**, **ASTM D696**, and **ASTM D257**.

342:

3/8" x 1 1/2" x 3 1/2"

342W:

3/8" x 1 1/2" x 3 1/2" (Provided with cotton wick attached)

342S:

3/8" x 1 1/2" x 3 1/2" (Provided with screen insert)
 Brass Screen Stainless Steel Screen

342W/S:

3/8" x 1 1/2" x 3 1/2" (Provided with both wick and screen)
 Brass Screen Stainless Steel Screen

IMPORTANT: Since each construction project is unique, the appropriate selection and use of any product contained herein must be determined by competent architects, engineers and other appropriate professionals who are familiar with the specific requirements of the project in question.

HOHMANN & BARNARD, Inc.
30 Rasons Court | Hauppauge, NY 11788
CORPORATE HEADQUARTERS
T: 800.645.0616 F: 631.234.0683
www.h-b.com

Branch/Subsidiary Locations:
ALABAMA - ILLINOIS - MARYLAND
NEW YORK - PENNSYLVANIA - TEXAS
CANADA

© HOHMANN & BARNARD, INC. - 2014