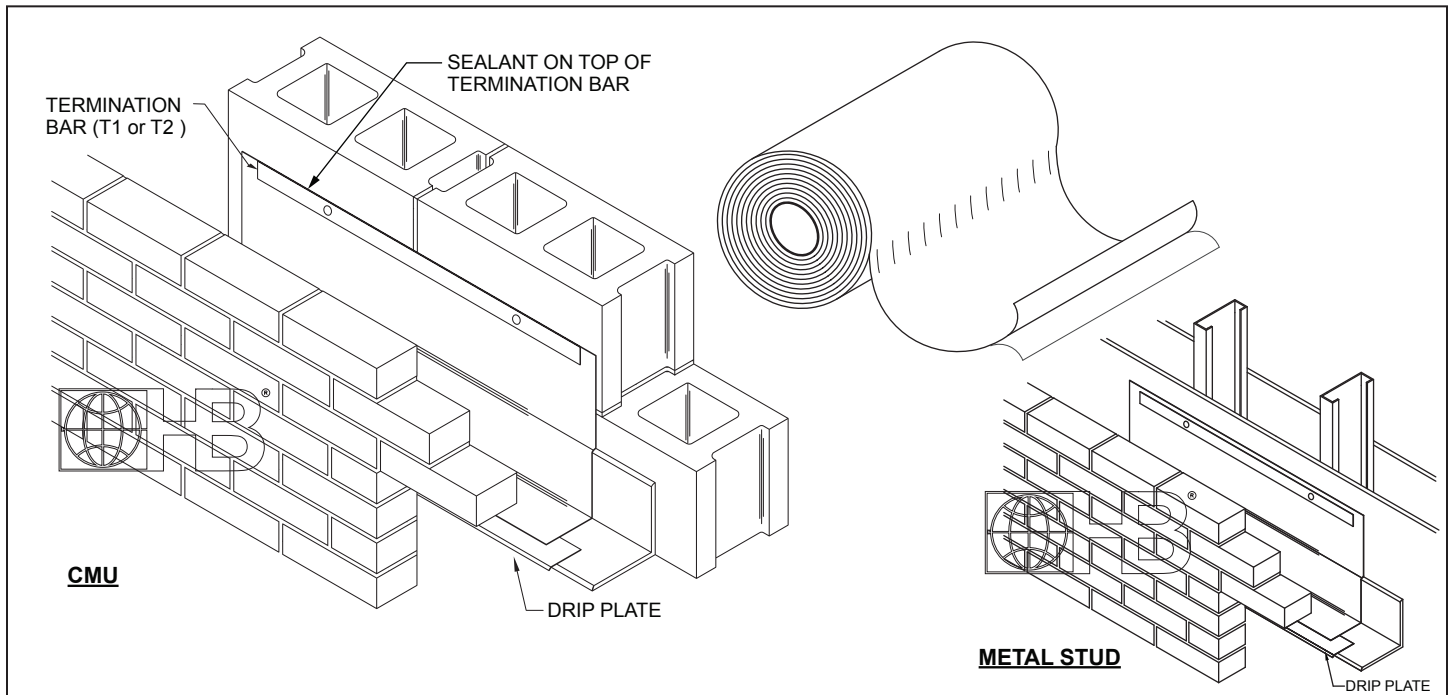


**HOHMANN & BARNARD, INC.**  
a MiTek company

## Flashing and Reglets

# Copper SA

## Asphalt Free Self Adhering Copper Fabric Flashing



### Material:

Copper sheet used in the fabrication of copper laminates conforms to ASTM B370 (110 Alloy).

### Copper-Fabric™ SA Self-Adhering Copper Fabric Flashing

Is a composite membrane consisting of a polyethylene film laminated to a 3, 5, or 7 oz. copper sheet to create a superior flashing. It has a pressure-sensitive, clear adhesive that will not drool when exposed to UV or heat.

- Suitable for thru-wall or surface-mount usage.
- An optional stainless steel drip edge is recommended to ensure diversion of moisture to outside of building (product can be cut flush with exterior wall)
- Surface mount applications should be attached with a stainless steel or aluminum termination bar
- UV-resistant for up to 180 days.
- Highly resistant to oils and will repel most chemicals
- Extremely tough, with excellent impact and tear resistance.
- Maintains flexibility in extreme heat or cold weather environments.
- **Asphalt-free** composition compatible with a wide variety of sealants.
- Available with 3, 5, or 7 oz. copper sheet.
- Available in widths from 12" - 36", other widths available upon request

• **Please refer to Hohmann & Barnard installation instructions for more information.**

### Width: (25 ft. rolls)

- |                              |                                      |                              |
|------------------------------|--------------------------------------|------------------------------|
| <input type="checkbox"/> 12" | <input type="checkbox"/> 20"         | <input type="checkbox"/> 32" |
| <input type="checkbox"/> 16" | <input type="checkbox"/> 24"         | <input type="checkbox"/> 36" |
| <input type="checkbox"/> 18" | <input type="checkbox"/> Other _____ |                              |

### Weight: (film color)

- |                                       |                                      |  |
|---------------------------------------|--------------------------------------|--|
| <input type="checkbox"/> 3 oz. (gray) | <input type="checkbox"/> 5 oz. (red) | <input type="checkbox"/> 7 oz. (beige) |
|---------------------------------------|--------------------------------------|--|

### Stainless Steel Drip Plate: (Recommended)

- |                                 |                             |                                      |
|---------------------------------|-----------------------------|--------------------------------------|
| <input type="checkbox"/> 1 1/2" | <input type="checkbox"/> 3" | <input type="checkbox"/> Other _____ |
|---------------------------------|-----------------------------|--------------------------------------|

### Flex-Flash® Drip Edge:

- 3"

### Termination Bar:

- Stainless Steel (Type 304)
- Aluminum
- Plastic

- HB Sealant 1-Quart Tube**

- Primer-SA**  
Water-Based Self-Adhering Flashing Primer (5 gal. pail)

**IMPORTANT:** Since each construction project is unique, the appropriate selection and use of any product contained herein must be determined by competent architects, engineers and other appropriate professionals who are familiar with the specific requirements of the project in question. This drawing and/or data sheet is the confidential and proprietary information of Hohmann & Barnard, Inc. and is not to be reproduced, copied or disclosed, in whole or in part, without the prior written consent of H&B.

**HOHMANN & BARNARD, Inc.**

30 Rasons Court | Hauppauge, NY 11788  
CORPORATE HEADQUARTERS

T: 800.645.0616 F: 631.234.0683

[www.h-b.com](http://www.h-b.com)

**Branch/Subsidiary Locations:**

ALABAMA - ARIZONA - ILLINOIS

MARYLAND - NEW YORK

PENNSYLVANIA - TEXAS - UTAH

CANADA

© 2013-2016 MiTek®