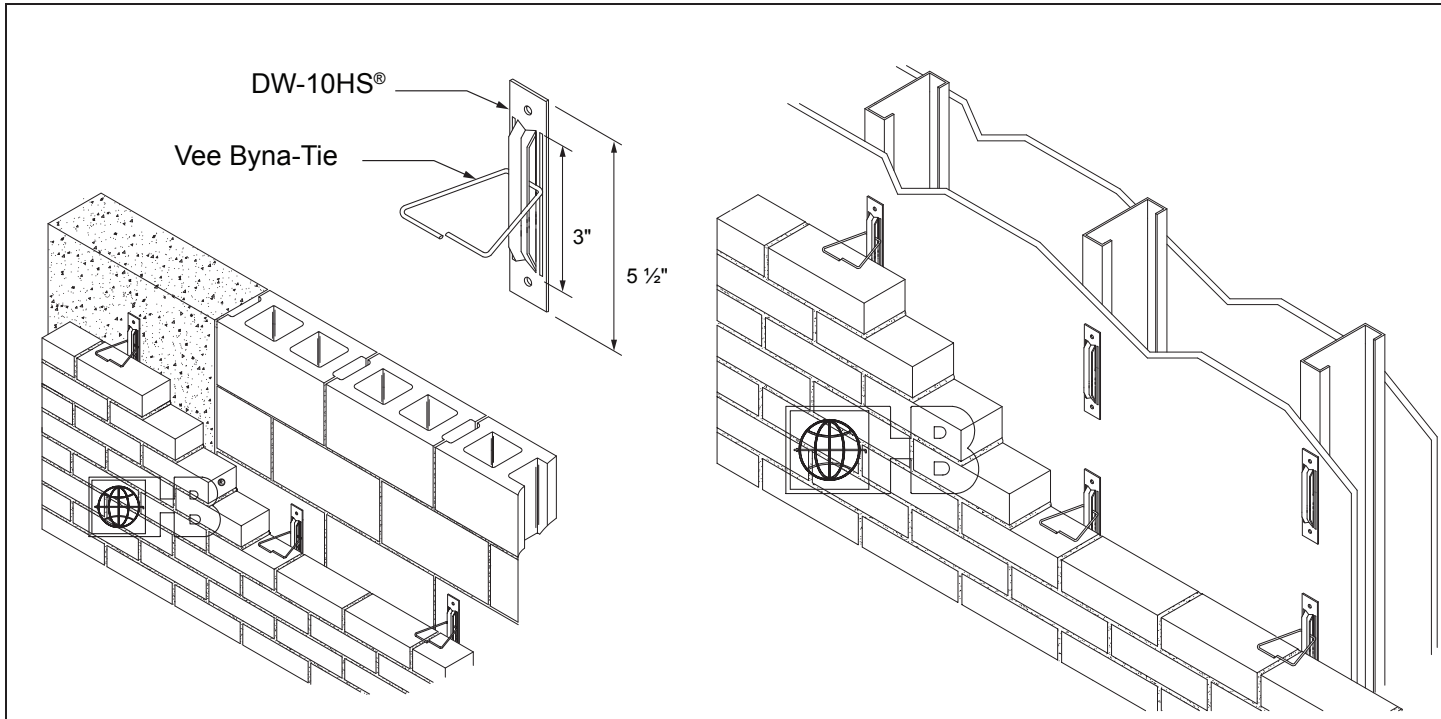




# Veneer Anchors DW-10HS®



DRAWINGS FOR ILLUSTRATIVE PURPOSES ONLY

**H&B RECOMMENDS 16" X 16" SPACING**

**Description:**

The DW-10HS® anchor is for anchoring brick veneer to metal stud, masonry, concrete or wood backups when there is **no** insulation or little potential for wallboard deterioration.

**Wire (Carbon Steel):**

Cold-drawn steel wire conforming to **ASTM A1064/A1064M**:  
Tensile Strength - 80,000 p.s.i., Yield Point - 70,000 p.s.i. minimum  
Zinc Coating:  
Hot-Dip Galvanized after fabrication: **ASTM A153/A153M-B2** (1.5 oz/ft<sup>2</sup>)

**Wire (Stainless Steel):**

**ASTM A580/A580M** - AISI Type 304 or Type 316

**Sheet Metal (Carbon Steel):**

**ASTM A1008/A1008M**  
Zinc coating:  
**ASTM A153/A153M-B2** Class B (sheet metal ties and anchors hot-dip galvanized after fabrication).

**Sheet Metal (Stainless Steel):**

**ASTM A 666, ASTM A480/480M, and ASTM A240/A240M**  
AISI Type 304 or 316

**NOTE: DW-10HS should NOT be installed on top of insulation.**

**Dimensions:**

DW-10HS® is 5 1/2" long with 3" vertical adjustability and is furnished with 9/32"Ø holes. Available 14 ga. or 12 ga. thick.  
Vee Byna-Tie® is 3/16"Ø or 1/4"Ø x 3", 3 1/2", 4", 4 1/2", 5" long.

**Finish:**

Hot-Dip Galv. | Stainless Steel:  Type 304  Type 316

**Note: H&B recommends Stainless Steel for maximum protection against corrosion**

**Anchor Thickness:**

14 gauge  12 gauge

**Vee Byna-Tie Ø:**

3/16"Ø Standard  
 1/4"Ø Heavyweight

**Vee Byna-Tie Length:**

3"  3 1/2"  4"  4 1/2"  
 5"  Other \_\_\_\_\_

**NOTE: Some configurations are non-stock, contact your local sales manager for price, availability and lead times.**

**IMPORTANT:** Since each construction project is unique, the appropriate selection and use of any product contained herein must be determined by competent architects, engineers and other appropriate professionals who are familiar with the specific requirements of the project in question. This drawing and/or data sheet is the confidential and proprietary information of Hohmann & Barnard, Inc. and is not to be reproduced, copied or disclosed, in whole or in part, without the prior written consent of H&B.

**HOHMANN & BARNARD, INC.**  
CORPORATE HEADQUARTERS  
30 Rasons Ct.  
Hauppauge, NY 11788  
T: 800-645-0616 | [www.h-b.com](http://www.h-b.com)

**Branch/Subsidiary Locations:**  
ALABAMA - ILLINOIS - MARYLAND  
NEW YORK - PENNSYLVANIA - TEXAS  
UTAH - CANADA

© 2013-2021