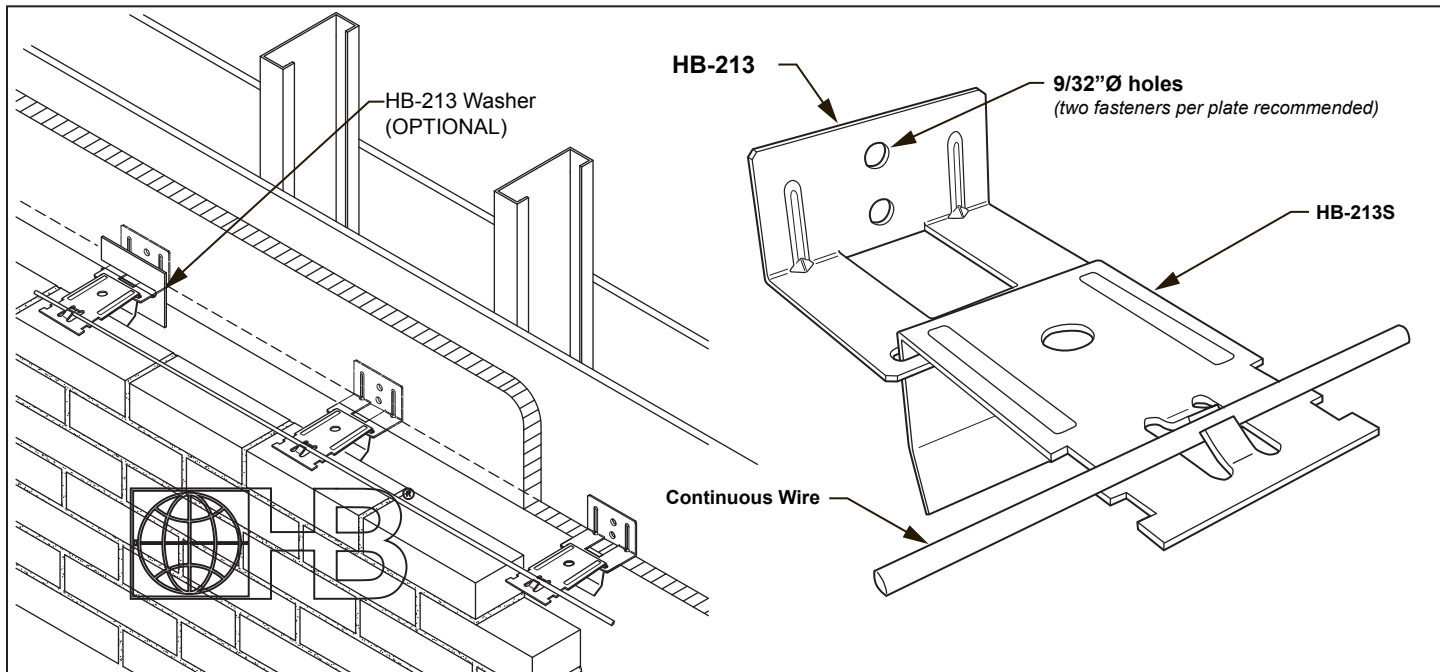


**HOHMANN & BARNARD, INC.**  
a MiTek company

## Seismic Anchors and Ties

### HB-213 w/HB-213S (T-Lok Tie) Adjustable Veneer Anchor w/ Seismic Plate Pintle



DRAWINGS FOR ILLUSTRATIVE PURPOSES ONLY

**H&B RECOMMENDS 16" X 16" SPACING**

Formerly called the T-Lok Tie, this system features:

- **HB-213** anchor (backplate), designed to anchor masonry to a structure, accommodates rigid insulation up to 6" (75 mm) thick and is furnished with two 9/32"Ø holes.
- **HB-213S Seismic Plate Pintle**, accommodates 9 ga. or 3/16"Ø continuous wire.

#### NOTES:

- Custom dimensions/gauges available on special order
- State overall wall size & cavity or insulation thickness when ordering
- Two fasteners per plate recommended
- Needs 3/4 inch (19mm) to 1 inch (25mm) minimum air cavity
- For attachment to concrete, block or brick see 523 Brass Expansion Bolt

#### MATERIAL CONFORMANCE

##### Wire (Carbon Steel):

Cold-drawn steel wire conforming to ASTM A1064/A1064M:  
Tensile Strength - 80,000 psi | Yield Point - 70,000 psi minimum  
Zinc Coating:

Hot-Dip Galvanized after fabrication: **ASTM A153/A153M-B2** (1.5 oz/ft<sup>2</sup>)

NOTE: Hohmann & Barnard will certify to a minimum of 2.0 oz/ft<sup>2</sup>

##### Wire (Stainless Steel):

**ASTM A580/A580M** - AISI Type 304 or Type 316

**H&B manufactures steel wire products from a minimum of 95% recycled material.**

##### Sheet Metal (Carbon Steel): **ASTM A1008/A1008M**

Zinc Coating: Hot-Dip Galvanized: (refer to wire above)

##### Sheet Metal (Stainless Steel):

**ASTM A666, ASTM A480/480M, and ASTM A240/A240M** - AISI Type 304 or Type 316

**NOTE:** HB-213 was formerly called the HB-200/DA-213 (which replaced the HB-200)

#### HB-213 Anchor Backplate Finish:

Hot-Dip Galv.    Stainless Steel:  Type 304     Type 316

**H&B recommends Stainless Steel for maximum protection against corrosion**

#### Backplate Style (Equal to combined thickness of insulation and/or wallboard):

- |  |  |
|--|--|
| <input type="checkbox"/> HB-213 (0")     | <input type="checkbox"/> HB-213 (3 1/2") |
| <input type="checkbox"/> HB-213 (1")     | <input type="checkbox"/> HB-213 (4")     |
| <input type="checkbox"/> HB-213 (1 1/2") | <input type="checkbox"/> HB-213 (4 1/2") |
| <input type="checkbox"/> HB-213 (2")     | <input type="checkbox"/> HB-213 (5")     |
| <input type="checkbox"/> HB-213 (2 1/2") | <input type="checkbox"/> HB-213 (5 1/2") |
| <input type="checkbox"/> HB-213 (3")     | <input type="checkbox"/> HB-213 (6")     |

CUSTOM Backplate \_\_\_\_\_

#### Backplate Thickness:

14 ga. (1.9 mm)     12 ga. (2.7 mm)     CUSTOM \_\_\_\_\_

**HB-213S** - width: 2" (50mm), bent leg: 2" (50mm)

Length:  3 1/2" (90mm)     4 1/2" (113mm)

Finish:  Hot-Dip Galv. | Stainless Steel  Type 304     Type 316

Gauge:  12 ga. (2.7 mm)     11 ga. (3 mm)

**Continuous Wire:**     9 gauge     3/16"Ø

**IMPORTANT:** Since each construction project is unique, the appropriate selection and use of any product contained herein must be determined by competent architects, engineers and other appropriate professionals who are familiar with the specific requirements of the project in question.

**HOHMANN & BARNARD, Inc.**  
CORPORATE HEADQUARTERS  
30 Rasons Court | Hauppauge, NY 11788  
T: 800.645.0616 F: 631.234.0683  
[www.h-b.com](http://www.h-b.com)

**Branch/Subsidiary Locations:**  
ALABAMA - ILLINOIS - MARYLAND  
NEW YORK - PENNSYLVANIA - TEXAS  
UTAH - CANADA

© HOHMANN & BARNARD, INC. - 2015