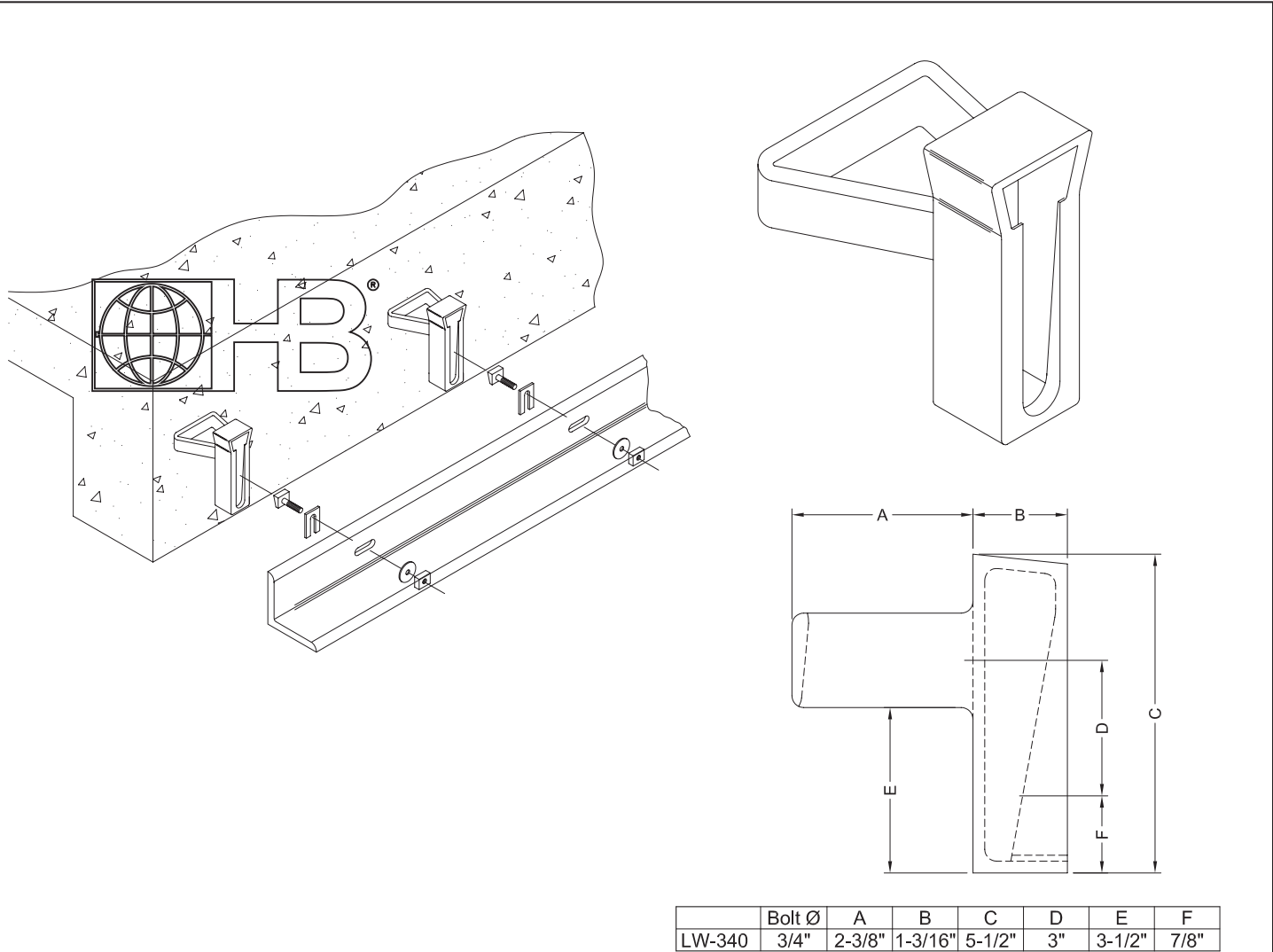




HOHMANN & BARNARD, INC.
A MiTek - BERKSHIRE HATHAWAY COMPANY

Concrete Inserts LW-340 Malleable Iron Wedge Inserts



	Bolt Ø	A	B	C	D	E	F
LW-340	3/4"	2-3/8"	1-3/16"	5-1/2"	3"	3-1/2"	7/8"

DRAWINGS FOR ILLUSTRATIVE PURPOSES ONLY

Material Conformances:
Hohmann & Barnard Wedge Inserts are made from malleable iron and conform to **ASTM A47/A47M** Grade 32510.

Hot-Dip Galvanized: **ASTM A153/A153M-B2** (zinc coating 1.5 oz/ft²).

Performance Data:

Shear	Tension	Concrete Strength	Torque
17,305 lbs.	17,367 lbs.	4,125 p.s.i.	150 ft/lbs.

*Values listed above are ultimate capacities in pounds which should be reduced by a minimum safety factor of three to determine the allowable working loads.

Finish:
 Plain Malleable Iron Hot-Dip Galvanized

Accessories: Askew Head Bolt, Nut, and Washer
The beveled head of the askew head bolt engages the internal wedge shape of a concrete insert and produces an automatic tightening action when a load is placed on it.

HOHMANN & BARNARD, Inc.
30 Rasons Court | Hauppauge, NY 11788
CORPORATE HEADQUARTERS
T: 800.645.0616 F: 631.234.0683
www.h-b.com

Branch/Subsidiary Locations:
ALABAMA - ILLINOIS - MARYLAND
NEW YORK - PENNSYLVANIA - TEXAS
CANADA

© HOHMANN & BARNARD, INC. - 2012