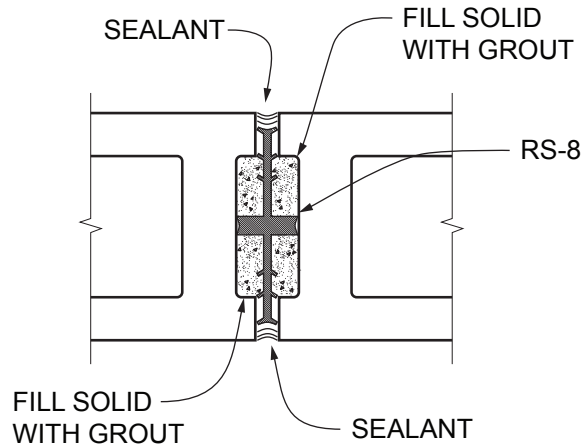
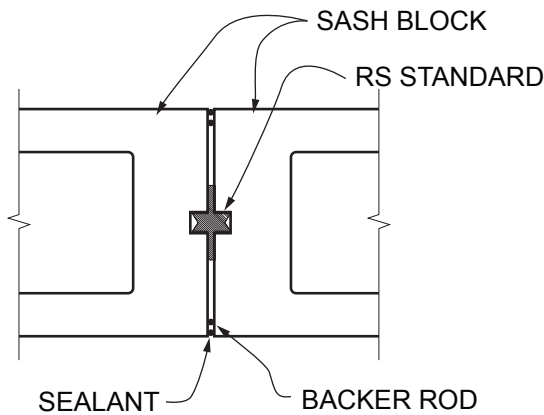
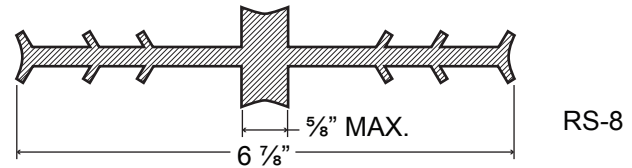
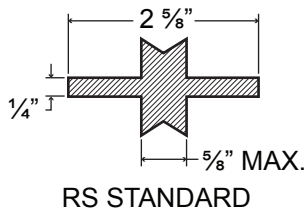
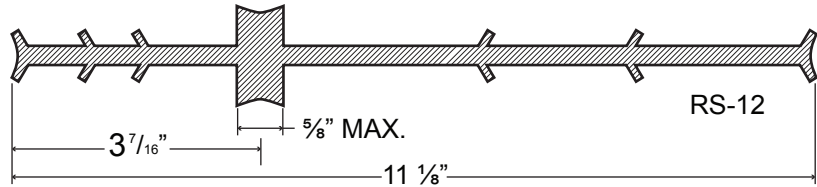
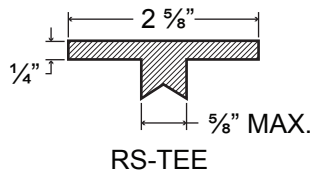


# Control Joints / Expansion Joints

## RS Series - Rubber Control Joint



DRAWINGS FOR ILLUSTRATIVE PURPOSES ONLY

### MATERIAL SPECIFICATIONS:

- Extruded rubber material designed for masonry walls at control joints
- Rubber material conforms to ASTM D2000 M2AA-805 (type rubber 654-06) with a durometer hardness of 80 (+ or - 5) when tested in conformance with ASTM D2240
- RS Series rubber control joints are manufactured from 50% recycled material.

### TEST DATA

	Typical Values	Test Method
Tensile Strength	1000	ASTMD-412
Ultimate Elongation	575%	ASTMD-412
Compression Set	45%	ASTMD-395 Method B
Low Temperature Brittleness	Passed	ASTMD-746
Shore A Hardness	80	
Heat Aged Physicals	70 hours@1000°C	
Tensile Strength	1135	
Ultimate Elongation	545%	
Shore A Hardness	82	

### RS Series:

(Length per piece is 4 ft)

- RS-STANDARD
- RS-TEE
- RS-8
- RS-12

**IMPORTANT:** Since each construction project is unique, the appropriate selection and use of any product contained herein must be determined by competent architects, engineers and other appropriate professionals who are familiar with the specific requirements of the project in question.