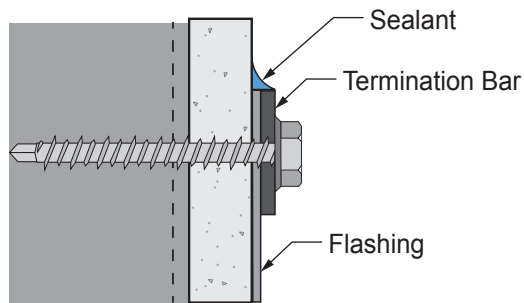
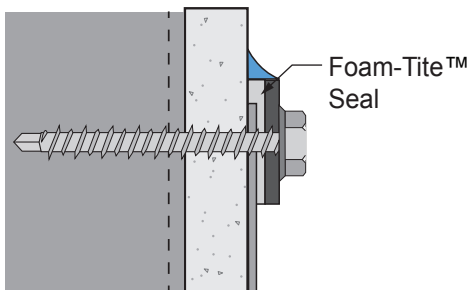


# Flashing and Reglets

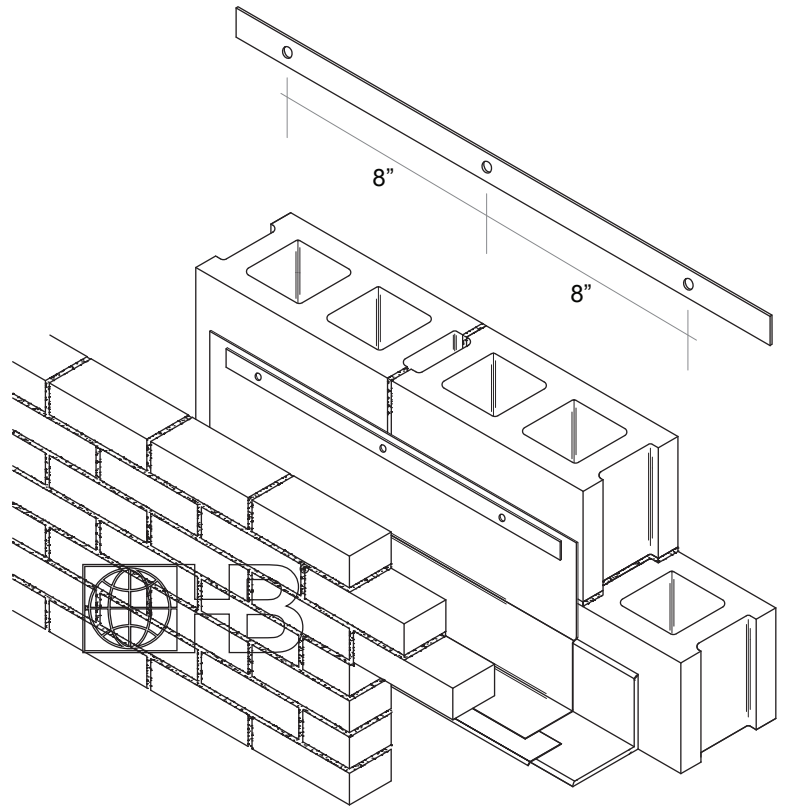
## T1 - Termination Bar



**STANDARD**



**WITH OPTIONAL FTS**



DRAWINGS FOR ILLUSTRATIVE PURPOSES ONLY

### T1 - Termination Bar

Used at top of flashing to mechanically secure it to the backup.

- Compatible with all H&B Surface-Mount flashings.
- Available with optional Foam-Tite Seal™ to aid in inhibiting moisture infiltration.

**U.S. Pat. No. 6,945, 000**  
*Other Patents Pending*

### Size:

1/8" thick x 1" wide x 8' long  
with 1/4" diameter holes, spaced 8" O.C.

### Finishes:

- Stainless Steel (Type 304)
- Stainless Steel (Type 316 - *special order*)
- Aluminum
- Plastic (PVC) - **PVC *MUST* be fastened 8" o.c.**

**NOTE:** H&B recommends termination bars be fastened 8" o.c.  
*(Metal term bars can be fastened 16" o.c. for metal stud backup)*

### Optional:

- FTS (Foam-Tite Seal™)

Foam-Tite Seal™ is a factory-installed foam strip designed to help seal small voids occurring between the termination bar and any irregular surfaces of the substrate, while offering added protection against water penetration due to deterioration of the sealant.

**IMPORTANT:** Since each construction project is unique, the appropriate selection and use of any product contained herein must be determined by competent architects, engineers and other appropriate professionals who are familiar with the specific requirements of the project in question. This drawing and/or data sheet is the confidential and proprietary information of Hohmann & Barnard, Inc. and is not to be reproduced, copied or disclosed, in whole or in part, without the prior written consent of H&B.