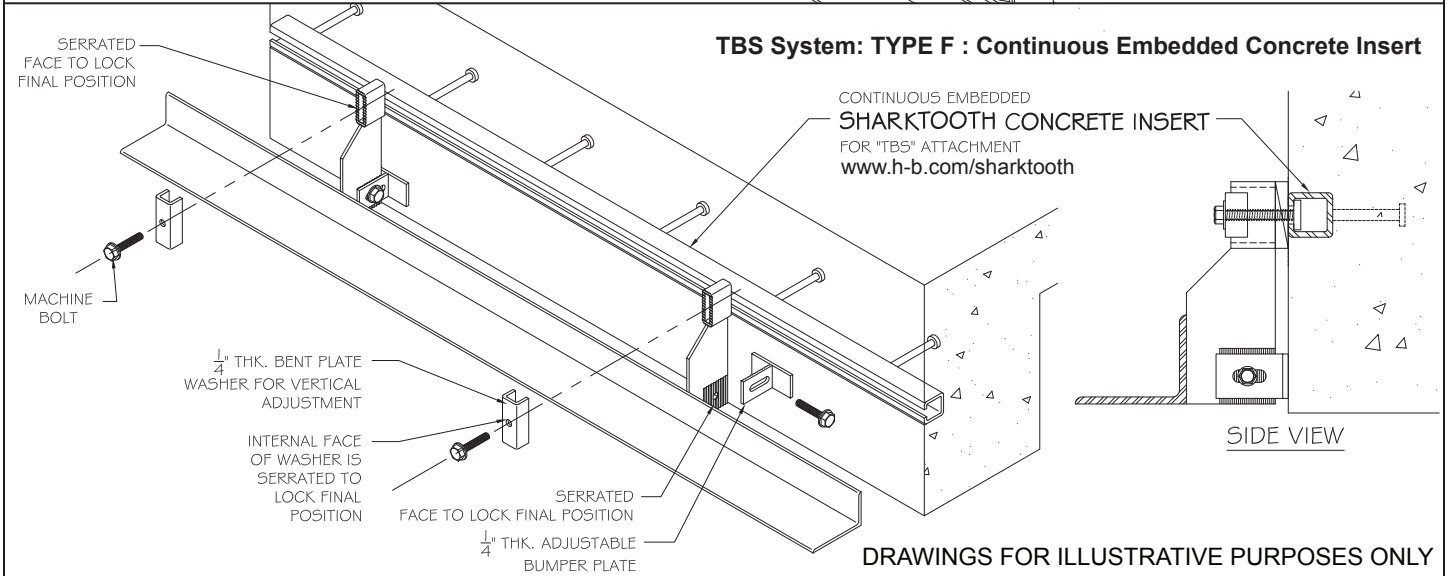
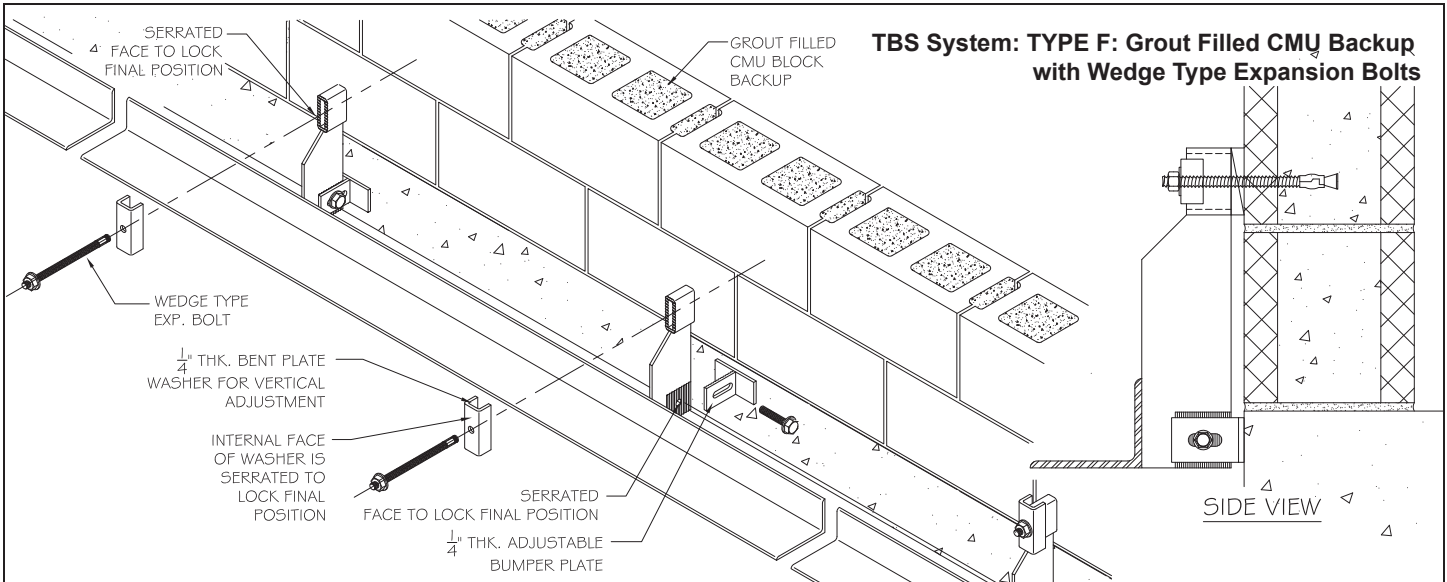


Insulated Shelf Angle Systems

TBS - TYPE F

Thermal Brick Support System



DRAWINGS FOR ILLUSTRATIVE PURPOSES ONLY

TYPE F TBS Thermal Brick Support System

- A groundbreaking brick veneer support system that **reduces thermal bridging in relief angles**, to improve the energy efficiency of your building!
- **Allows for continuous insulation** behind the support angle; saving installation time and improving energy efficiency.
- The system design permits a wide range of adjustments in multiple directions to accommodate construction tolerances.
- **MANUFACTURED IN THE USA!**

MATERIAL CONFORMANCE

Carbon Steel: **ASTM A36**

Zinc Coating: Hot-Dip Galv. after fabrication: **ASTM A153/A153M-B2**

Stainless Steel: **ASTM A666, ASTM A480/480M, ASTM A240/A240M**
AISI Type 304 or 316

TYPE F TBS : Available Finishes:

Hot-Dip Galvanized

Stainless Steel - Type 304

Stainless Steel - Type 316

H&B recommends Stainless Steel for maximum protection against corrosion

TYPE F TBS : Dimensions:

The dimensions of the Thermal Brick Support (TBS) System are determined per individual project requirements.

IMPORTANT: Since each construction project is unique, the appropriate selection and use of any product contained herein must be determined by competent architects, engineers and other appropriate professionals who are familiar with the specific requirements of the project in question. This drawing and/or data sheet is the confidential and proprietary information of Hohmann & Barnard, Inc. and is not to be reproduced, copied or disclosed, in whole or in part, without the prior written consent of H&B.