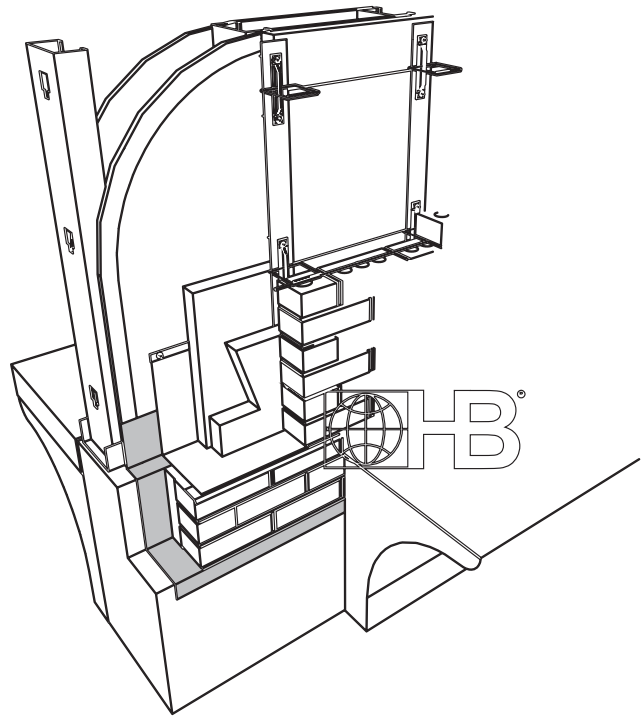
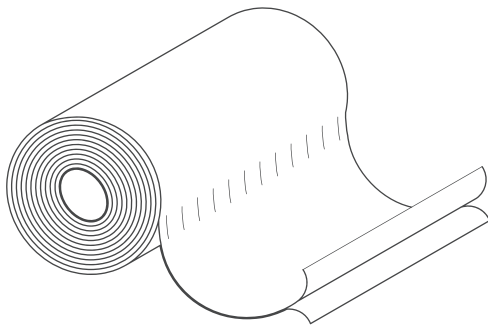




HOHMANN & BARNARD, INC.
A MiTek - BERKSHIRE HATHAWAY COMPANY

Flashing and Reglets X-Seal™ Membrane



DRAWINGS FOR ILLUSTRATIVE PURPOSES ONLY

X-Seal™ Membrane

for Envrio-Barrier™ and Envrio-Barrier™ VP

Used to form a smooth transition from one plane to another when using Envrio-Barrier™ Air and Vapor Barrier or Envrio-Barrier™ VP (Vapor Permeable Air and Vapor Barrier). Use as a transition material under Envrio-Barrier Liquid where different substrates meet, or at beams, columns, and similar joints or connections to provide continuity.

Patents Pending

- Reinforced polyolefin base, laminated to a polypropylene layer
- Adhesive-backed with removable release liner
- Available in widths from 4" - 72", other widths available upon request
- 75' long rolls

Manufactured from 45% post-industrial and/or post-consumer recycled material.

*** Please refer to Hohmann & Barnard installation instructions for more information.**

Technical Data

- Tensile Strength - **ASTM D751-95**
Machine Direction (Force) 130lbs
Cross Direction (Force) 124 lbs
- Trapezoidal Tear Strength - **ASTM D4533-91**
Machine Direction (Force) 46 lbs
Cross Direction (Force) 44 lbs
- Mullen Burst - **ASTM D751-95** 180 psi
- UV Exposure (2000 hours) - **ASTM G154-98** >90%
- Permeability
MVTR - **ASTM E96 - B** <0.075 Perms¹
Air permeability - **TAPP-460** >5000 Sec/100cc

Widths: (Rolls are 75ft. long)

- | | | | |
|------------------------------|--------------------------------------|------------------------------|------------------------------|
| <input type="checkbox"/> 4" | <input type="checkbox"/> 6" | <input type="checkbox"/> 12" | <input type="checkbox"/> 18" |
| <input type="checkbox"/> 24" | <input type="checkbox"/> 36" | <input type="checkbox"/> 48" | <input type="checkbox"/> 60" |
| <input type="checkbox"/> 72" | <input type="checkbox"/> Other _____ | | |

¹Grains/h/ft²/in Hg (perms)

IMPORTANT: Since each construction project is unique, the appropriate selection and use of any product contained herein must be determined by competent architects, engineers and other appropriate professionals who are familiar with the specific requirements of the project in question.

HOHMANN & BARNARD, Inc.
30 Rasons Court | Hauppauge, NY 11788
CORPORATE HEADQUARTERS
T: 800.645.0616 F: 631.234.0683
www.h-b.com

Branch/Subsidiary Locations:
ALABAMA - ILLINOIS - MARYLAND
NEW YORK - PENNSYLVANIA - TEXAS
UTAH - CANADA

© HOHMANN & BARNARD, INC. - 2014