



Roof-Fast™ Cap



FIBERGLASS- REINFORCED SELF-ADHESIVE MEMBRANE

Roof-Fast, a self-adhering membrane (SAM) system, is a low-slope roofing solution that combines the polymer chemistry of commercial-grade modified bitumen membranes with the self-adhesive characteristics of an ice and water protector, and the beauty of a granule surface. This fiberglass reinforced self-adhesive cap sheet is coated with a granule surface in several popular colors. The self-adhesive backside is covered with a release film that is designed to be easily removed during installation.

Click [here](#) or scan this QR code for product literature.



Roof-Fast Cap is a granule-surfaced self-adhesive cap sheet ideally suited for low slope roofs.

FEATURES AND BENEFITS

- ✓ POLYMER-MODIFIED ASPHALT
- ✓ SELF-ADHERING
- ✓ IDEAL FOR LOW SLOPES

GENERAL INFORMATION

| | |
|-------------------|---------------------------------------------|
| ROLL CONTENTS | 100 ft. ² (9.29 m ²) |
| ROLLS/PALLET | 32 |
| PALLET SIZE | 52 x 44 in. (132 x 112 cm) |
| PRODUCT STOCK NO. | 7892XXX |

NOTE: XXX refers to numerical product color code. Product color availability varies by region.

PRODUCT DIMENSIONS

| | |
|--------------------|----------------------|
| LENGTH | 32.92 ft. (10.03 m) |
| WIDTH | 39.375 in. (1000 mm) |
| THICKNESS | 138 mils (3.5 mm) |
| SELVAGE FILM WIDTH | 3 in. (76 mm) |

Product dimensions shown are subject to normal manufacturing tolerances of +/- 0.5 ft. (0.15 m) on the sheet's length and +/- 1/8 in. (3 mm) on width.



Roof-Fast™ Cap

APPLICABLE STANDARDS¹

ASTM D6163 Type 1 Grade G Product Standard

ASTM E108 Class C Fire Test

UL 790 Class C Fire Test

CAN/ULC S107 Class C Fire Test

CSA A123.23 Type A Grade 1 Product Standard (Canada)

Miami-Dade Product Approval² [here](#)

Florida Building Code High-Velocity Hurricane Zone (HVHZ) Approval² [here](#)

NOTE: Roof-Fast Cap meets or exceeds the requirements in the product standards referenced at the time of manufacture, including tensile strength, cold flex, granule adhesion, and minimum tear strength resistance.

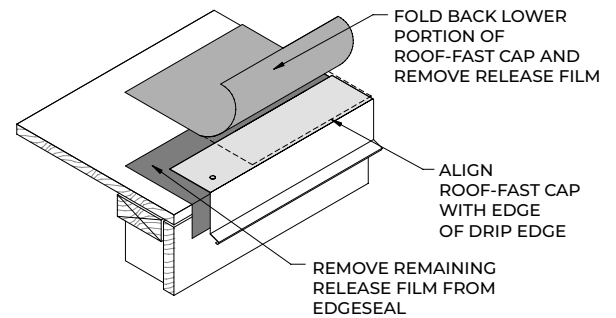
SAFETY INFORMATION

CAUTION: Working at heights can be dangerous. Do not install until all appropriate safety precautions are followed. Always wear appropriate personal protective equipment (PPE), including appropriate fall protection equipment.

This product's Safety Data Sheet (SDS) is available [here](#).



INSTALLATION



SHOWN IS THE SINGLE-PLY APPLICATION. ROOF-FAST CAP CAN BE USED IN COMBINATION WITH EITHER THE MECHANICALLY-ATTACHED BASE OR THE SELF-ADHESIVE BASE IN A TWO-PLY SYSTEM

Membrane must be installed according to all of IKO's application instructions. Some select installation requirements are highlighted here:

1. The space beneath the roof deck (e.g., attic) should be thoroughly ventilated to minimum local building code requirements.
2. Successive courses of Roof-Fast Cap should be lapped to cover the 3-inch selvage.
3. Use a 60-100 lbs. (27-45 kgs.) pound steel roller to ensure consistent contact of Roof-Fast Cap to the base sheet or roof deck.
4. In hot weather, it may be best to limit the length of individual pieces of Roof-Fast Cap to a maximum of 12 feet for ease of handling.

Complete product installation details can be found [here](#).



The information on this Technical Data Sheet is based upon data considered to be true and accurate at time of issue, based on laboratory tests and production measurements, and is offered solely for the user's consideration, investigation and verification. Nothing contained herein is representative of a warranty or guarantee for which the manufacturer can be held legally responsible. The manufacturer does not assume any responsibility for any misrepresentation or assumptions the reader may formulate. To confirm the most current product technical information and compliances, please contact IKO directly at: **United States 1-888-IKO-ROOF** (1-888-456-7663); **Canada 1-855-IKO-ROOF** (1-855-456-7663).

¹Compliance with listed product standards is based on sampling and testing of products as manufactured. ²Approval pending. For more information, please contact IKO at: **1-888-IKO-ROOF** (1-888-456-7663).