

SUBMITTAL: 1400 LIFESTART™ SERIES AED CABINET

Protect valuable Automated External Defibrillators (AED's) with durable Lifestart cabinets. Each cabinet is equipped with a 85 dB door alarm to deter tampering. This series in steel, stainless steel or aluminum fits most AED's on the market.

Frame, Trim and Door: #4 brushed stainless steel, clear anodized aluminum or steel with white powder-coat finish. 5/8" door stop and continuous hinge.

Trim Style & Depth: *Recessed* – 3/8" flat trim, *Semi-Recessed* – 1-1/2" square edge, 3" or 4" rolled edge (4" has recessed pull), *Surface-Mount* with square or rolled edge.

Door: Formed door with zinc-plated handle and roller catch for F and S21 models. Theft-deterrent SAF-T-LOK™ available on G and L22 models.

Tub: White powder-coated steel except for aluminum and stainless surface-mounted models. Fire-rated available - See Separate Submittal

Alarm: 85 dB Commander (audible) alarm standard with keyed on/off switch on the door.



1413F12SA Surface-Mounted Steel Cabinet With Silkscreen AED Graphic & Optional Siren Strobe Alarm

STEP 1: SELECT MODEL NUMBER AND QUANTITY ON CHART (refer to chart on page 2)

A. Determine Trim Style according to wall depth. B. Determine Tub I.D. according to size most suited for contents and wall opening.

STEP 2: SELECT DOOR STYLE Check one box below

- | | |
|---|---|
| <input type="checkbox"/> F Full Glazing | <input type="checkbox"/> W Vertical Duo with SAF-T-LOK |
| <input type="checkbox"/> G Full Glazing with SAF-T-LOK | <input type="checkbox"/> S21 Solid Door |
| <input type="checkbox"/> V Vertical Duo | <input type="checkbox"/> L22 Solid Door with SAF-T-LOK |

STEP 3: SELECT GLAZING Check one box below

- 12** Clear Acrylic with Red Silkscreen Lettering (Std) **11** Clear Acrylic with Black Silkscreen Lettering **17** Tempered

Note: Only F12, F11, G12 and G11 have large AED Heart Silk Screen Graphics - All Others Include (14DC-AED & 14DC-WAS) Lettering as Shown Below

STEP 4: SELECT OPTIONAL FEATURES AT ADDITIONAL COST

- | | |
|---|--|
| <input type="checkbox"/> (SA) Siren Strobe 110 dB Alarm—Installed on 3" or Wider Cabinet Trims or Shipped Separately with Other Cabinets for Wall Installation | <input type="checkbox"/> Optional Color: _____ See page 2 for colors. |
| <input type="checkbox"/> (STC) Saf-T-Clasp for Visual Notification When Door has been opened | <input type="checkbox"/> Wall Signs: __ Flat __ Tent __ Rt Angle __ Bi-Lingual __ Directional (See separate submittal for more details on these plastic signs) |
| <input type="checkbox"/> (14MAG) Magnetic Door Contact for Existing Alarm Systems | <input type="checkbox"/> Etched, Silkscreen, Engraved, Custom Graphics or Lettering - Check Here and Attach Separate Submittal |
| <input type="checkbox"/> (14RR) Roller Reed Ball Contact for Existing Alarm Systems | Bronze or Brass Finish - See separate submittal on website. |
| <input type="checkbox"/> Optional Dark Bronze Anodized Aluminum Finish (Pulls painted to match) | Automated External Defibrillator sold separately - see website |
| <input type="checkbox"/> Optional Stainless Steel Finishes __ #6 __ #7 View Finishes on website | See website for more information on the above options. |
| <input type="checkbox"/> Optional Tub Color: __ Black __ Red __ Other | |
| <input type="checkbox"/> Optional Tub Material __ Stainless __ Aluminum (to match trim material) | |
| <input type="checkbox"/> (PRH) Flush Pull Handle (Includes AED die cut and decal shown below) | |
| <input type="checkbox"/> (PUCH) Polished Chrome Handle | |



1436F12 Semi-Recessed Cabinet in Stainless Steel with 1-1/2" Square Trim & Silkscreen AED Graphic


AED die cut (1-1/4" x 5-3/8) and Warning decal (3/4" x 3-1/2") included with all cabinets except F11,F12, G11,G12.

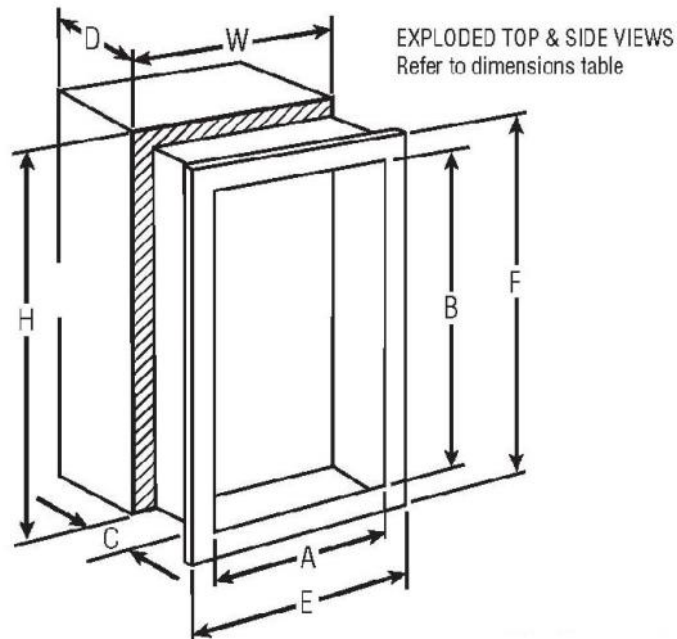


#14DC-AED



#14DC-WAS

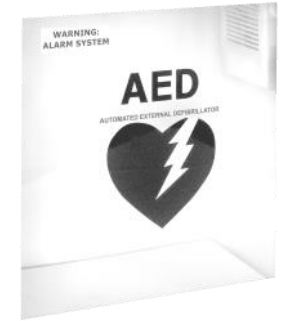
 JL INDUSTRIES 9702 Newton Av S. Bloomington, MN 55431 Many Locations Nationwide	800-554-6077 sales@activarcpg.com www.activarcpg.com	Distributor:	Project:
		Contractor:	Approved By:
	Date:	Quantity:	Architect:
	Scale: N/A	Pages: 1 of 2	Item #



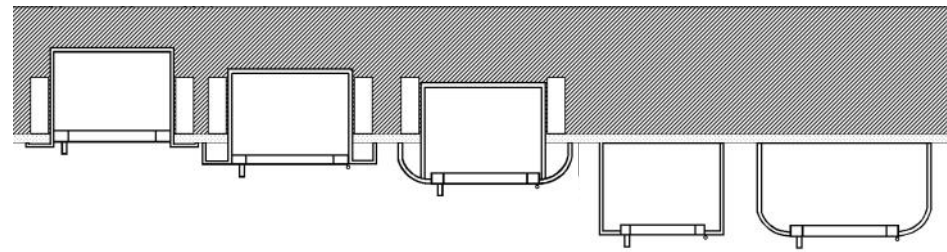
1417F12 3" Rolled Edge Recessed Trim with Silkscreen AED Graphic



1419SA with Custom Graphics & Optional Color



Clear Acrylic with Black Silkscreen Lettering



3/8" Flat Trim

1-1/2" Square Trim

2-1/2, 3 or 4" Rolled Edge

Surface Mount Square Edge

Surface Mount Rolled Edge

Optional Colors at Additional Cost - Samples Available			
Gray	Red	Black/Flat Black	Silver
Sand	AMS Beige	SC Flat Beige	Bronze

It is the responsibility of the customer to communicate specifications and product performance requirements that are needed for their application. This document is intended to convey potential product configurations and offerings. It is not to be used to imply or represent a specification or rating, of finished products shipped. Detailed, specific submittals can be created upon request. It is the responsibility of the customer to specify product accordingly to comply with local laws, codes, and ordinances.

TRIM & DOOR MATERIAL & SERIES #						TUB I.D.			FRAME O.D.		WALL OPENING			
QTY	STEEL	QTY	ALUMI-NUM	QTY	STAINLESS STEEL	TRIM STYLE	A	B	C	E	F	W	H	D
	1415		1425		1435	3/8" Flat Trim●	14"	14"	6-3/4"	17-3/8"	17-3/8"	15"	15"	6-5/8"
	1416		1426		1436	1-1/2" Square Trim●	14"	14"	6-3/4"	17-3/8"	17-3/8"	15"	15"	5-3/8"
	1417		--		1437	3" Rolled Trim●	14"	14"	6-3/4"	17-3/8"	17-3/8"	15"	15"	3-7/8"
	--		1427		--	2-12" Rolled Trim●	14"	14"	6-3/4"	17-3/8"	17-3/8"	15"	15"	5"
	1412		--		1432	4" Rolled Trim/Recessed Pull●	14"	14"	6-3/4"	17-3/8"	17-3/8"	15"	15"	3-1/8"
	--		1422		--	4" Rolled Trim/Recessed Pull●	14"	14"	6-3/4"	17-3/8"	17-3/8"	15"	15"	3-3/4"
	1413		1423		1433	Surface Mounted Square Edge	17-3/16"	17-3/16"	7"	17-3/8"	17-3/8"	--	--	--
	1419		1429		1439	Surface Mounted Rolled Edge	17-3/16"	17-3/16"	7"	17-3/8"	17-3/8"	--	--	--

● Cabinets that Meet 4" Maximum ADA Projection Requirement