

SUBMITTAL: 1483 SERIES FREESTANDING SERIES AED CABINET

This Decorative Series is Designed to Accommodate all AED's on the Market Today. Cabinet is Mounted in an Attractive, Freestanding Frame. Create Your Own Look by Selecting from Colors of Stand and Cabinet. See Page 2 for Examples.

Trim & Tub Construction: Cold-rolled steel with white or silver powder-coat finish. 1-3/4" (44.45 mm) trim on frame.

Door: Formed door with 1-1/4" (31.75 mm) trim, mounted in a 5/8" (15.88mm) door stop with zinc-plated handle, roller catch & continuous hinge. F and G styles include graphics on acrylic glazing as shown at right, other door styles include AED decal. Theft-deterrent Saf-t-lok™ available for all door styles.

Frame: Steel tube 1.90" x .145 wall thickness, welded to an oval shaped base: 22" x 20" (558.8 x508 mm). Overall height is 52"(1320.8 mm).

Alarm: 85 db Commander (audible) alarm standard.

STEP 1: SELECT MODEL:

QTY	MODEL	TUB I.D.			CABINET FRAME O.D.	
		A	B	C	E	F
	1483	15 1/2" (387 mm)	17-3/8" (441 mm)	7" (177 mm)	17-1/2" (444.5 mm)	15-1/8" (384mm)

STEP 2: SELECT DOOR STYLE

- Check one box below
- F Full Glazing S21 Solid Door
- G Full Glazing with Saf-t-lok L22 Solid Door with Saf-t-lok

STEP 3: SELECT GLAZING

- Check one box below
- 12 Clear Acrylic with Red Lettering (Std) 11 Clear Acrylic with Black Lettering 17 Tempered
- Note:** Only F12, F11, G12 and G11 have large AED Heart Silk Screen Graphics - All Others Include Lettering as Shown Below

STEP 4: SELECT COLOR

- Check one box below
- White Powder Coat Silver Powder Coat (SI)

STEP 5: SELECT OPTIONAL FEATURES AT ADDITIONAL COST:

- (SA) Siren Strobe Alarm and 110 db Alarm (stays on for 2 min. after door shut)
- (STC) Saf-T-Clasp for Visual Notification When Door has been opened
- (14MAG) Magnetic Door Contact for Existing Alarm Systems
- (14RR) Roller Reed Ball Contact for Existing Alarm Systems
- (BA) Brigadier audible alarm (stays on for 2 min. after door shut)
- Wall Signs: Flat Tent Rt Angle Bi-Lingual Directional
- Optional Color: _____ See website for colors.
- Custom Door Graphics available—company logos, photos, etc. Contact customer service.



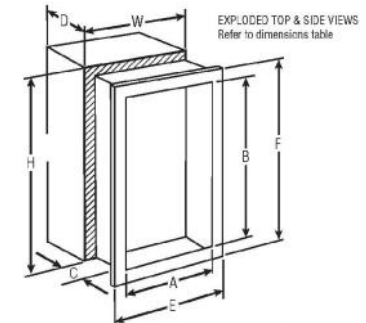
1483F12SI in Silver Finish



#14DC-AED



#14DC-WAS



<p>JL INDUSTRIES</p> <p>9702 Newton Av S. Bloomington, MN 55431 Many Locations Nationwide</p>	<p>800-554-6077</p> <p>sales@activarcpg.com</p> <p>www.activarcpg.com</p>	Distributor:	Project:
		Contractor:	Approved By:
	Date:	Quantity:	Architect:
	Scale: N/A	Pages: 1 of 2	Item #



**1483 with Optional
Black Frame**



**1483 with Optional Red Cabinet/White
Frame & Siren Strobe Alarm**



**1483F12SASI with Optional Siren
Strobe Alarm**



Clear Acrylic with Black Lettering

It is the responsibility of the customer to communicate specifications and product performance requirements that are needed for their application. This document is intended to convey potential product configurations and offerings. It is not to be used to imply or represent a specification or rating, of finished products shipped. Detailed, specific submittals can be created upon request. It is the responsibility of the customer to specify product accordingly to comply with local laws, codes, and ordinances.