

SUBMITTAL: 1900 SERIES OLYMPUS AED & OXYGEN CABINET

This cabinet protects valuable Automated External Defibrillators (AED's) and provides room for an emergency oxygen tank. Each cabinet is equipped with a 85 dB door alarm to deter tampering. This series is available in steel, stainless steel or aluminum and fits most AED's on the market including those offered by JL Industries. All cabinets meet the 4" maximum ADA projection requirement.

Trim Construction: CRS with white powder-coat finish, #4 brushed stainless steel or clear anodized aluminum.

Trim Style & Depth: *Recessed* - 3/8" flat trim, *Semi-Recessed* - 1 1/2" square edge or 2-1/2", 3" or 4" rolled edge. 4" rolled edge has recessed pull. *Surface-mount* models have either square or rolled edge.

Door: Formed door with 1-3/4" trim, mounted in a 5/8" door stop with zinc-plated handle and roller catch and continuous hinge. "AED", "Emergency Oxygen" and "Warning" graphics enclosed for application in the field.

Alarm: 85 dB Commander (audible) alarm standard with keyed on/off switch on the door.

Tub: White powder-coated cold rolled steel. Fire-rated available - See Separate Submittal

Bracket: Included with cabinet that can hold the AED unit on the back of the tub

Oxygen: Accommodates up to "D" size cylinder. **Fire-Rated Option:** Yes - See separate submittal.



1913F12 Cabinet
Shown with Optional
Oxygen System and AED

STEP 1: SELECT MODEL NUMBER AND QUANTITY ON CHART (refer to chart on page 2)

A. Determine Trim Style according to wall depth.

B. Determine Tub I.D. according to size most suited for contents and wall opening.

STEP 2: SELECT DOOR STYLE Check one box below

F Full Glazing

G Full Glazing with SAF-T-LOK

V Vertical Duo

W Vertical Duo with SAF-T-LOK

S21 Solid Door

L22 Solid Door with SAF-T-LOK



AED Bracket

Graphics at Right are
Included with Cabinet:
AED Decut: #14DC-AED (4-1/2" x 1")
Warning Decal: #14D-WAS (3/4" x 3-1/2")
Emergency Oxygen Decut:
#14DC-EO2 (10" x 2-3/4")



WARNING
ALARM SYSTEM

**Emergency
Oxygen**

STEP 3: SELECT GLAZING Check one box below

12 Acrylic

17 Tempered

STEP 4: SELECT OPTIONAL FEATURES AT ADDITIONAL COST

(SA) Siren Strobe Alarm 110 dB Alarm (3 & 4" Trim & Surface-Mount Models)

(STC) Saf-T-Clasp for Visual Notification When Door has been opened

(14MAG) Magnetic Door Contact for Existing Alarm Systems

(14RR) Roller Reed Ball Contact for Existing Alarm Systems

Optional Dark Bronze Anodized Aluminum Finish (Pulls painted to match)

Optional Stainless Steel Finishes ___ #6 ___ #7

Optional Tub Color: ___ Black ___ Red

Optional Tub Material ___ Stainless ___ Aluminum

Flush Pull Handle (PRH)

Polished Chrome Handle (PUCH)

Optional Color: _____ See page 2 for colors.


Wall Signs: ___ Flat ___ Tent ___ Rt Angle ___ Bi-Lingual ___ Directional
(See separate submittal for more details on these plastic signs)

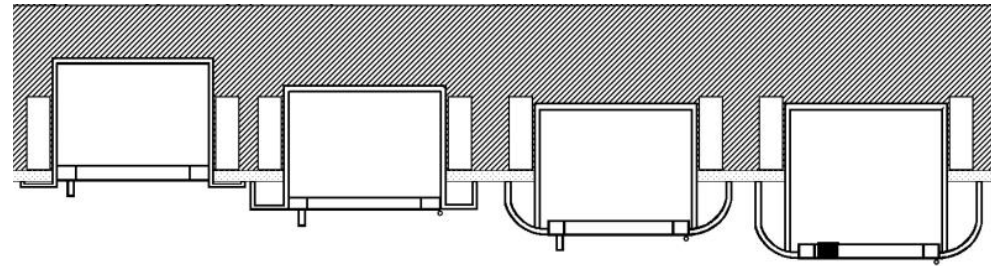
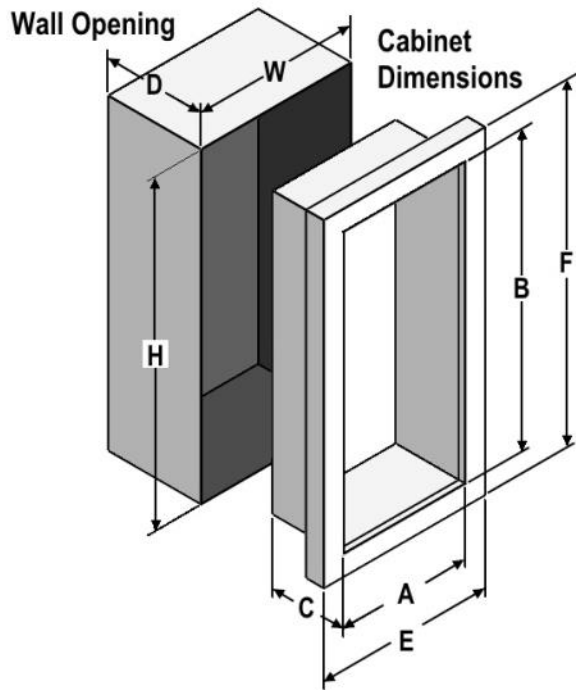
Etched, Silkscreen or Engraved Lettering - Check here and attach separate submittal to order.

Custom Door Graphics - company logos, photos, etc. Contact customer service.

Automated External Defibrillator sold separately - see website

See website for more information on the above options.

 JL INDUSTRIES 9702 Newton Av S. Bloomington, MN 55431	800-554-6077 sales@activarcpg.com www.activarcpg.com	Distributor:	Project:
		Contractor:	Approved By:
	Date:	Quantity:	Architect:
	Scale: N/A	Pages: 1 of 2	Item #



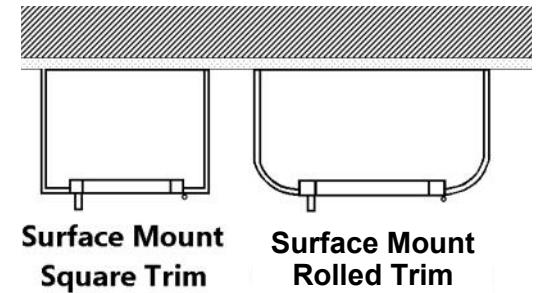
**3/8"
Flat Trim**

**1-1/2"
Square Trim**

**2-1/2", 3"
Rolled Edge**

**4" Rolled
Edge with
Recessed
Pull**

Optional Colors at Additional Cost - Samples Available			
Gray	Red	Black/Flat Black	Silver
Sand	AMS Beige	SC Flat Beige	Bronze



**Surface Mount
Square Trim**

**Surface Mount
Rolled Trim**

It is the responsibility of the customer to communicate specifications and product performance requirements that are needed for their application. This document is intended to convey potential product configurations and offerings. It is not to be used to imply or represent a specification or rating, of finished products shipped. Detailed, specific submittals can be created upon request. It is the responsibility of the customer to specify product accordingly to comply with local laws, codes, and ordinances.

TRIM & DOOR MATERIAL & SERIES #						TUB I.D.			FRAME O.D.		WALL OPENING NON-RATED			
QTY	STEEL	QTY	ALUMINUM	QTY	STAINLESS	TRIM STYLE	A	B	C	E	F	W	H	D
	1915		1925		1935	3/8" Flat Trim●	18"	18"	8"	21-3/8"	21-3/8"	19"	19"	7-7/8"
	1916		1926		1936	1-1/2" Square Trim●	18"	18"	8"	21-3/8"	21-3/8"	19"	19"	6-5/8"
	1917	--	--		1937	3" Rolled Trim●	18"	18"	8"	21-3/8"	21-3/8"	19"	19"	5-1/8"
--	--		1927	--	--	2-1/2" Rolled Trim●	18"	18"	8"	21-3/8"	21-3/8"	19"	19"	6-1/4"
	1912	--	--		1932	4" Rolled Trim w/Recessed Pull●	18"	18"	8"	21-3/8"	21-3/8"	19"	19"	4-3/8"
--	--		1922	--	--	4" Rolled Trim w/Recessed Pull●	18"	18"	8"	21-3/8"	21-3/8"	19"	19"	5"
	1913		1923		1933	Surface Mount Square Trim	21-3/16"	21-3/16"	8-1/2"	21-3/8"	21-3/8"	--	--	--
	1919	--	--		1939	Surface Mount Rolled Trim	21-3/16"	21-3/16"	8-1/2"	21-3/8"	21-3/8"	--	--	--

● Cabinets that Meet 4" Maximum ADA Projection Requirement