

SUBMITTAL: AMBASSADOR™ STEEL FIRE EXTINGUISHER CABINETS

The Ambassador Series is a Durable, Attractive Steel Cabinet with Powder-coat Finish that Stands up to Conditions in Commercial Buildings.

Door & Trim Construction: Cold-rolled steel with white powder-coated finish standard. Flush cabinet doors with a 5/8" door stop are attached by a continuous hinge and equipped with zinc-plated handle and roller catch. All models have 1-3/4" wide trim on frame and 1-1/4" trim on doors with glazing.

Trim Style & Depth: Recessed Flat 3/8" Trim, Semi Recessed - 1-1/4", 1-1/2" Square Edge or 2-1/2", 3", 4", 4-1/2" Rolled edge (4" has flush pull). Surface-mount models have a square edge. See separate submittal for rolled edge surface mount or Trimless Recessed.

Tub: The tub is constructed of CRS with white powder-coat finish standard.

Fire-Rated Option Available: Yes - See separate Submittal Form.

STEP 1: SELECT MODEL NUMBER AND QUANTITY ON CHART (refer to chart on page 2)

- A. Determine Trim Style according to wall depth.
- B. Determine Tub I.D. according to size most suited for extinguisher and wall opening.

STEP 2: SELECT DOOR STYLE WITH HANDLE

Check one box below Examples on Page 2

- | | |
|---|--|
| <input type="checkbox"/> F Full Glazing in 1-1/4" wide Frame | <input type="checkbox"/> L22 Solid with SAF-T-LOK™ |
| <input type="checkbox"/> G Full Glazing with SAF-T-LOK™ in 1-1/4" Frame | <input type="checkbox"/> L24 Solid with Cylinder Lock - No Handle |
| <input type="checkbox"/> D Horizontal Duo Panel | <input type="checkbox"/> V Vertical Duo |
| <input type="checkbox"/> E Horizontal Dual Panel with SAF-T-LOK™ | <input type="checkbox"/> W Vertical Duo with SAF-T-LOK™ |
| <input type="checkbox"/> S21 Solid Door | <input type="checkbox"/> B Solid with 2" x 4" View Window & SAF-T-LOK™ |

STEP 3: SELECT DOOR GLAZING (Check one box below)

- | | | |
|---|--|--|
| <input type="checkbox"/> 10 Clear Acrylic | <input type="checkbox"/> 15 Bronze Acrylic | <input type="checkbox"/> 17 Clear Tempered Glass |
| <input type="checkbox"/> 13 Wire Glass with Safety Film | <input type="checkbox"/> 16 Gray Acrylic | <input type="checkbox"/> 18 Laminated Safety Glass |

STEP 4: OPTIONAL FEATURES AT ADDED COST (SELECT ANY)

- | | | | |
|---|--|--|---|
| <input type="checkbox"/> Optional Tub Color: ___ Black ___ Red | <input type="checkbox"/> Black Vertical FE Letters LDCVBFE | <input type="checkbox"/> Black Vertical Decal LDVBFE | <input type="checkbox"/> (CA) Commander Alarm |
| <input type="checkbox"/> Futura "Fire" Pull ___ Mill Alum ___ Red ___ White | <input type="checkbox"/> Red Vertical FE Letters LDCVRFE | <input type="checkbox"/> Red Vertical Decal LDVRFE | <input type="checkbox"/> (BA) Brigadier Alarm |
| <input type="checkbox"/> Flush Pull Handle (PRH) | <input type="checkbox"/> White Vertical FE Letters LDCVWFE | <input type="checkbox"/> White Vertical Decal LDVWFE | <input type="checkbox"/> (SA) Strobe Alarm (Surface Mount Models) |
| <input type="checkbox"/> Polished Chrome Handle (PUCH) | <input type="checkbox"/> Black Horizontal FE Letters LDCHBFE | <input type="checkbox"/> Black Horizontal Decal LDHBFE | <input type="checkbox"/> Etched/Engraved Lettering in Glass or Metal- Attach Sub. |
| <input type="checkbox"/> Optional Colors: ___ Red ___ Black ___ Flat Black | <input type="checkbox"/> Red Horizontal FE Letters LDCHRFE | <input type="checkbox"/> Red Horizontal Decal LDHRFE | <input type="checkbox"/> (MC) Magnetic Catch—Replaces Roller Catch |
| ___ Sand ___ AMS Beige ___ SC Flat Beige | <input type="checkbox"/> White Horizontal FE Letters LDCHWFE | <input type="checkbox"/> White Horizontal Decal LDHWFE | |
| ___ Gray ___ Bronze ___ Silver | | | |

For More Information on Options See Other Submittals: Handles & Levers, Decals/Die Cuts & Wall Signs, Alarms




1012W10A
4" Rolled Trim with
Flush Pull Standard

1017V10
3" Rolled Trim
Semi-Recessed

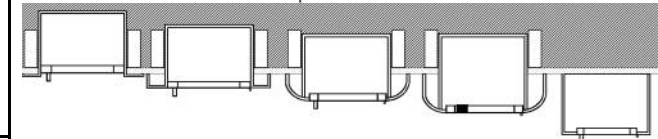
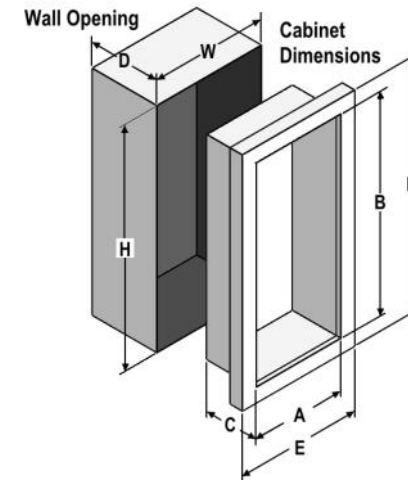
1816F10
1-1/2" Square Trim
Semi-Recessed

It is the responsibility of the customer to communicate specifications and product performance requirements that are needed for their application. This document is intended to convey potential product configurations and offerings. It is not to be used to imply or represent a specification or rating, of finished products shipped. Detailed, specific submittals can be created upon request. It is the responsibility of the customer to specify product accordingly to comply with local laws, codes, and ordinances.

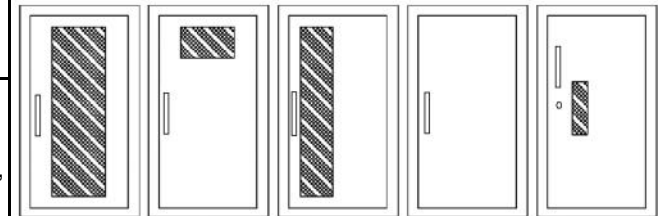
 JL INDUSTRIES	Distributor:	Quantity:
	Contractor:	Approved By:
	Model #:	Architect:
	Project:	Date:
© 2023 Activar Construction Products Group, Inc		
HEADQUARTERS: 9702 NEWTON AV S, BLOOMINGTON, MN 55431 PH: 800-554-6077 EMAIL: SALES@ACTIVARCPG.COM WWW.ACTIVARCPG.COM MANUFACTURING: BLOOMINGTON MN & COMMERCE, CA • WAREHOUSES: SEE WEBSITE FOR LOCATIONS. 5/17/2023		

SUBMITTAL: AMBASSADOR STEEL FIRE EXTINGUISHER CABINETS

TRIM & DOOR SERIES #			Tub I.D.			Frame O.D.		Wall Opening			Fits Extinguisher
QTY	Model	Trim Style	A	B	C	E	F	W	H	D	
	8115	Flat 3/8" Trim ●	9	18	5 1/2	12 3/8	21 3/8	10	19	5 3/8	Cosmic & Galaxy 2 1/2-6 (6 lb must be mounted to tub wall), Mercury 2 1/2- 5
	8116	1 1/2" Square ●	9	18	5 1/2	12 3/8	21 3/8	10	19	4 1/8	
	8117	2-1/2" Rolled ●	9	18	5 1/2	12 3/8	21 3/8	10	19	3 1/8	
	8113	Surf. Mtd Sq	12 3/16	21 3/16	6	12 3/8	21 3/8	--	--	--	Cosmic/Galx/Merc 2-5
	1710	2-1/4" Square ●	10 1/2	24	5	13 7/8	27 3/8	11 1/2	25	3	
	1815	Flat 3/8" Trim ●	10 1/2	24	5 1/2	13 7/8	27 3/8	11 1/2	25	5 3/8	Cosmic & Galaxy 2 1/2-6 (6 lb must be mounted to tub wall) Mercury 2 1/2-5
	1816	1 1/2 Square ●	10 1/2	24	5 1/2	13 7/8	27 3/8	11 1/2	25	4 1/8	
	1817	3" Rolled ●	10 1/2	24	5 1/2	13 7/8	27 3/8	11 1/2	25	2 5/8	
	1812	4" Rolled/Flush Pull ●	10 1/2	24	5 1/2	13 7/8	27 3/8	11 1/2	25	1 7/8	
	1818	4 1/2" Rolled	10 1/2	24	5 1/2	13 7/8	27 3/8	11 1/2	25	1 1/8	
	1015	Flat 3/8" Trim ●	10 1/2	24	6	13 7/8	27 3/8	11 1/2	25	5 7/8	
	1016	1 1/2" Square ●	10 1/2	24	6	13 7/8	27 3/8	11 1/2	25	4 5/8	Cosmic & Galaxy 2 1/2-10 Mercury 2 1/2-5, Sentinel 5
	1017	3" Rolled ●	10 1/2	24	6	13 7/8	27 3/8	11 1/2	25	3 1/8	
	1012	4" Rolled/Flush Pull ●	10 1/2	24	6	13 7/8	27 3/8	11 1/2	25	2 3/8	
	1018	4 1/2 Rolled	10 1/2	24	6	13 7/8	27 3/8	11 1/2	25	1 5/8	
	1013	Surf Mtd. Sq	13 11/16	27 3/16	6 1/2	13 7/8	27 3/8	--	--	--	
	2015	Flat 3/8" Trim ●	12	27	7 3/4	15 3/8	30 3/8	13	28	7 5/8	
	2016	1 1/4 Square ●	12	27	7 3/4	15 3/8	30 3/8	13	28	6 5/8	Any Cosmic or Galaxy (20 lb must be mounted to back of tub), Mercury, Saturn or Grenadier P, Sentinel 5 & 10, Nebula 270
	2017	2 1/2 Rolled ●	12	27	7 3/4	15 3/8	30 3/8	13	28	5 3/8	
	2012	4 Rolled/Flush Pull ●	12	27	7 3/4	15 3/8	30 3/8	13	28	4 1/8	
	2018	4 1/2" Rolled	12	27	7 3/4	15 3/8	30 3/8	13	28	3 3/8	
	2013	Surf Mtd. Sq	15 3/16	30 3/16	8 1/4	15 3/8	30 3/8	--	--	--	
	3015	Flat 3/8" Trim ●	16	32	7 3/4	19 3/8	35 3/8	17	33	7 5/8	
	3016	1 1/4" Square ●	16	32	7 3/4	19 3/8	35 3/8	17	33	6 5/8	Any Cosmic or Galaxy (20 lb must be mounted to back of tub), Mercury, Saturn or Grenadier P, Sentinel 5-15, Nebula 270, 272, 250
	3017	2 1/2" Rolled ●	16	32	7 3/4	19 3/8	35 3/8	17	33	5 3/8	
	3012	4" Rolled/Flush Pull ●	16	32	7 3/4	19 3/8	35 3/8	17	33	4 1/8	
	3018	4 1/2" Rolled	16	32	7 3/4	19 3/8	35 3/8	17	33	3 3/8	
	3013	Surf Mtd. Sq	19 3/16	35 3/16	8 1/4	19 3/8	35 3/8	--	--	--	
	4015	Flat 3/8" Trim ●	20	27	7 3/4	23 3/8	30 3/8	21	28	7 5/8	
	4016	1 1/4" Square ●	20	27	7 3/4	23 3/8	30 3/8	21	28	6 5/8	Two each of: any Cosmic or Galaxy (20 lb must be mounted on tub wall), Mercury, Saturn or Grenadier P, Sentinel 5
	4017	2 1/2" Rolled ●	20	27	7 3/4	23 3/8	30 3/8	21	28	5 3/8	
	4012	4" Rolled/Flush Pull ●	20	27	7 3/4	23 3/8	30 3/8	21	28	4 1/8	
	4018	4 1/2" Rolled	20	27	7 3/4	23 3/8	30 3/8	21	28	3 3/8	
	4013	Surf Mtd. Sq	23 3/16	30 3/16	8 1/4	23 3/8	30 3/8	--	--	--	



3/8" Flat Trim 1-1/2" Square Trim 2-1/2", 3" Rolled Edge 4" Rolled w/ Flush Pull or 4-1/2" w/Std Pull Surface Mounted



F - Full glass with pull handle
G - Full glass with pull handle above Saf-T-Lok (Not Shown)
D - Horizontal duo panel with pull handle
E - Horizontal duo panel with pull handle above Saf-T-Lok. (Not Shown)
V - Vertical duo panel with pull handle
W - Vertical duo panel with pull handle above Saf-T-Lok. (Not Shown)
S21 - Solid with pull handle
L22 - Solid with pull handle above Saf-T-Lok
L24 - Solid with cylinder key lock and no handle (Not Shown)
B - Small view window with pull handle, above Saf-T-Lok

ADA Cabinet Mounting Height: Standard Pull on G, E, W, L22 and B Door Styles with Saf-T-Lok are 3 5/8" Higher than Door Center, so Allow for that When Mounting Cabinet. Standard Pull with No Lock or Flush Pull are Centered on Door.

● Cabinets that Meet 4" Maximum ADA Projection Requirement

See website for items that are available on our stock list.