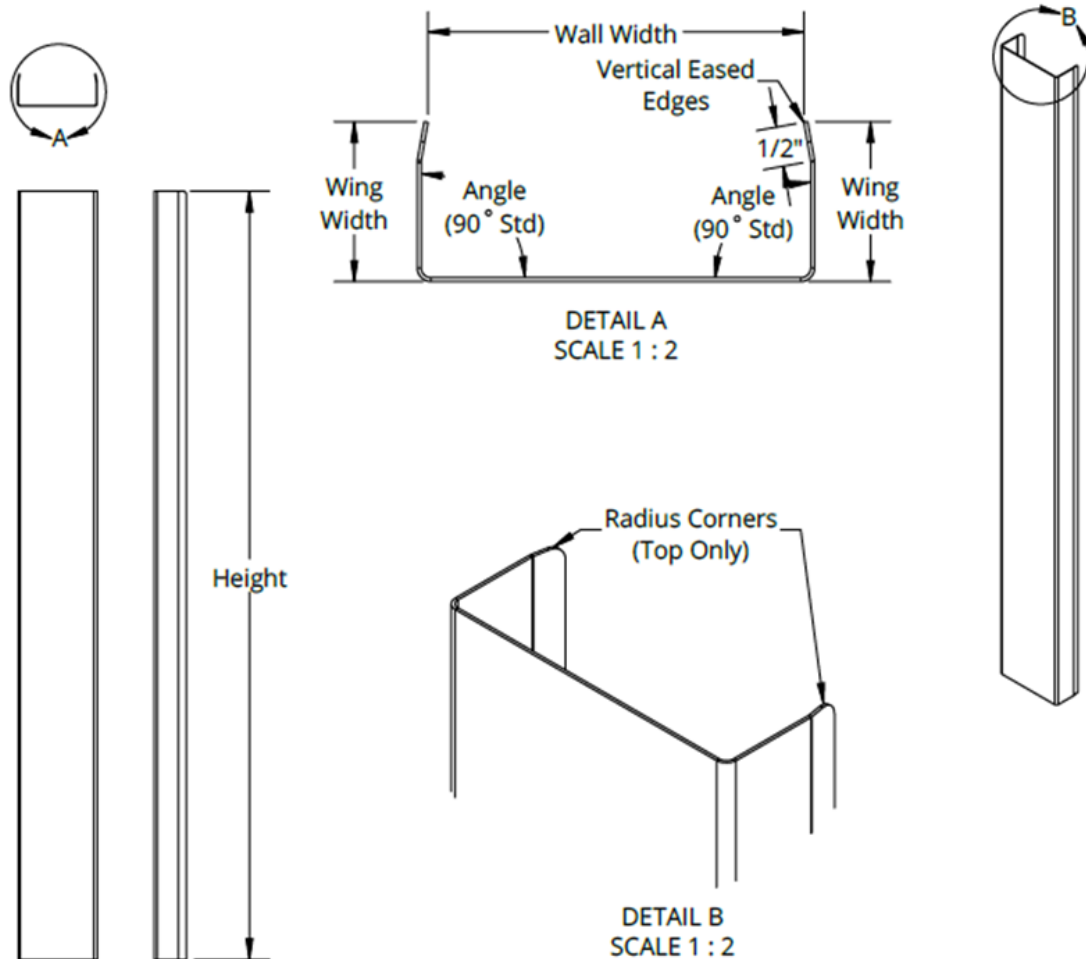


# CORNER GUARDS—ENDWALL CGS SERIES



## SPECIFICATIONS:

**Material:** 18 gauge stainless steel #4 finish US32D (BHMA 630), grain direction is parallel to the height

**Wing width:** Common sizes—1-1/2", 2", 2-1/2", 3", 3-1/2" wing on two sides with vertical eased edges.

Minimum 1", Maximum 36".

**Height:** Minimum - 12"; Maximum - 108"

**Angle:** 90 degree with 1/8" radius

**Installation:** Top corners are radius , bottom corners are square

### Mounting Options:

- Standard corner guards mount using adhesive ordered separately. Off white water-based construction adhesive PL375 (CG-KIT-ADH-PL). 10 oz tube for approximately 30 linear feet.
- Countersunk holes with 1-1/4" #8 SS self-drilling screws (H)
- Double sided tape applied (T)

### OPTIONS:

**Material:** .050 anodized Aluminum  
16gauge stainless steel  
#7 18 gauge stainless steel finish

**Features:** 3/4" Bullnose radius corner


### COMPLIES:

Stainless steel - ASTM A240-7

### NOTES:

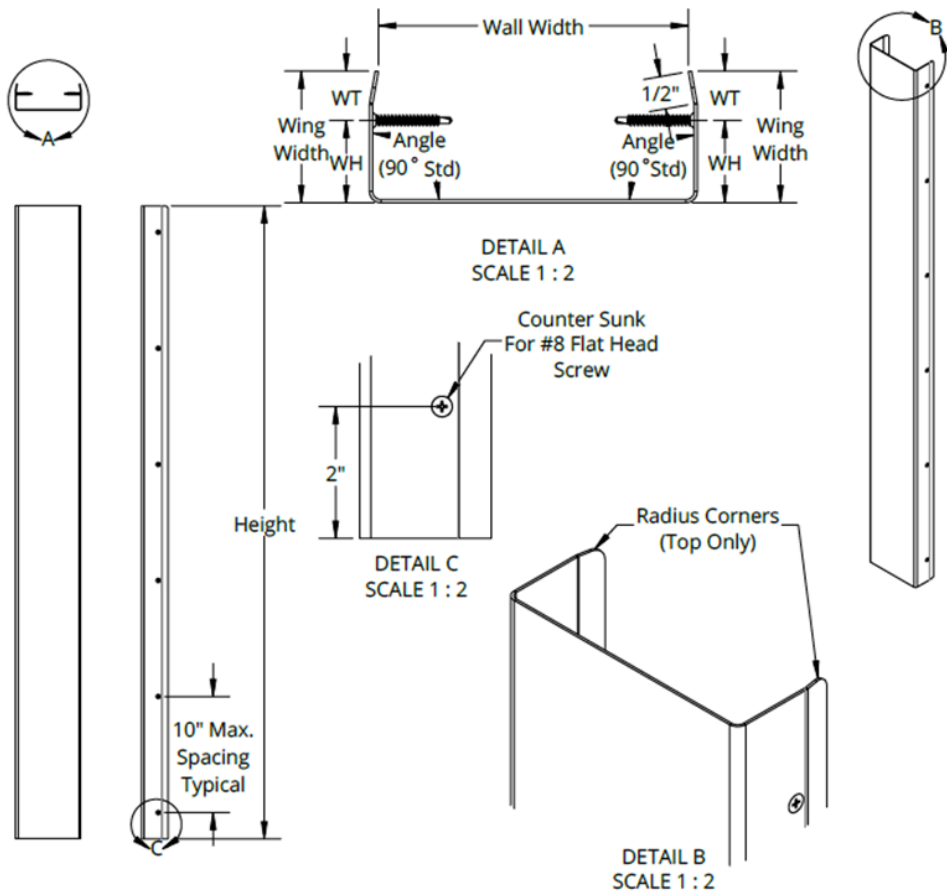
Screws only available for wing sizes over 1-1/2" and up, and wall width of 1-1/2" or greater.

**Complete the made-to-order table on page 2, to order this product.**

|   |  |              |               |            |
|---|--|--------------|---------------|------------|
|  <b>JL INDUSTRIES</b><br>9702 Newton Av S. Bloomington, MN 55431   Many Locations Nationwide<br>@ 2023 Activar Construction Products Group, Inc. | 800-554-6077<br>sales@activarcpg.com<br>www.activarcpg.com | Distributor: | Project:      |            |
|   |  | Contractor:  | Approved By:  |            |
|   |  | Date:        | Quantity:     | Architect: |
|   |  | Scale: N/A   | Pages: 1 of 2 | Item #     |

THE INFORMATION CONTAINED IN THIS DOCUMENT IS THE SOLE PROPERTY OF ACTIVAR CONSTRUCTION PRODUCTS GROUP, INC. ANY REPRODUCTION IN PART OR AS A WHOLE WITHOUT THE WRITTEN PERMISSION OF ACTIVAR CONSTRUCTION PRODUCTS GROUP, INC. IS PROHIBITED.

Countersunk Hole Locations Shown Below



| Hole Position on Wing |        |        |
|-----------------------|--------|--------|
| Wing Size             | WT     | WH     |
| 1 1/2" to 3"          | 3/4"   | Varies |
| Over 3"               | Varies | 2"     |

| Adhesive Ordered Separately—Check Here   |  |
|--|--|
| <b>CG-KIT-ADH-PL</b>   |  |
| PL375 Off White Water-based Construction Adhesive. 10 oz tube for approximately 30 linear feet.<br>(# of tubes will be calculated based on your order) |  |

**MADE-TO-ORDER CORNER GUARD—EXAMPLE: CGSS-7.5-2.5E-96H**

| MODEL | MATERIAL                               | ENDWALL WIDTH | WING WIDTH | EDGE                       | HEIGHT     | MOUNTING                           | OPTIONS                        |
|-------|--|---------------|------------|----------------------------|------------|------------------------------------|--------------------------------|
| CG    | SS Stainless Steel #4 - 18 gauge (Std) | 5.5 5-1/2"    | 1.5 1.5"   | E Eased Edge<br>(Standard) | 48 48"     | None (Adhesive ordered separately) | BN 3/4" Radius Bullnose        |
|       | SH Stainless Steel #4 - 16 gauge       | 8 8"          | 2 2"       |                            | 96 96"     |                                    |                                |
|       | AL Aluminum - .050                     | Other         | 2.5 2.5"   | Other Size                 | Other Size | H Countersunk Holes                | F7 #7 Polished Finish—18 gauge |
|       |  |               | 3 3"       |                            |            |                                    |                                |
|       |  |               | Other      |                            |            |                                    |                                |

It is the responsibility of the customer to communicate specifications and product performance requirements that are needed for their application. This document is intended to convey potential product configurations and offerings. It is not to be used to imply or represent a specification or rating, of finished products shipped. Detailed, specific submittals can be created upon request. It is the responsibility of the customer to specify product accordingly to comply with local laws, codes, and ordinances.