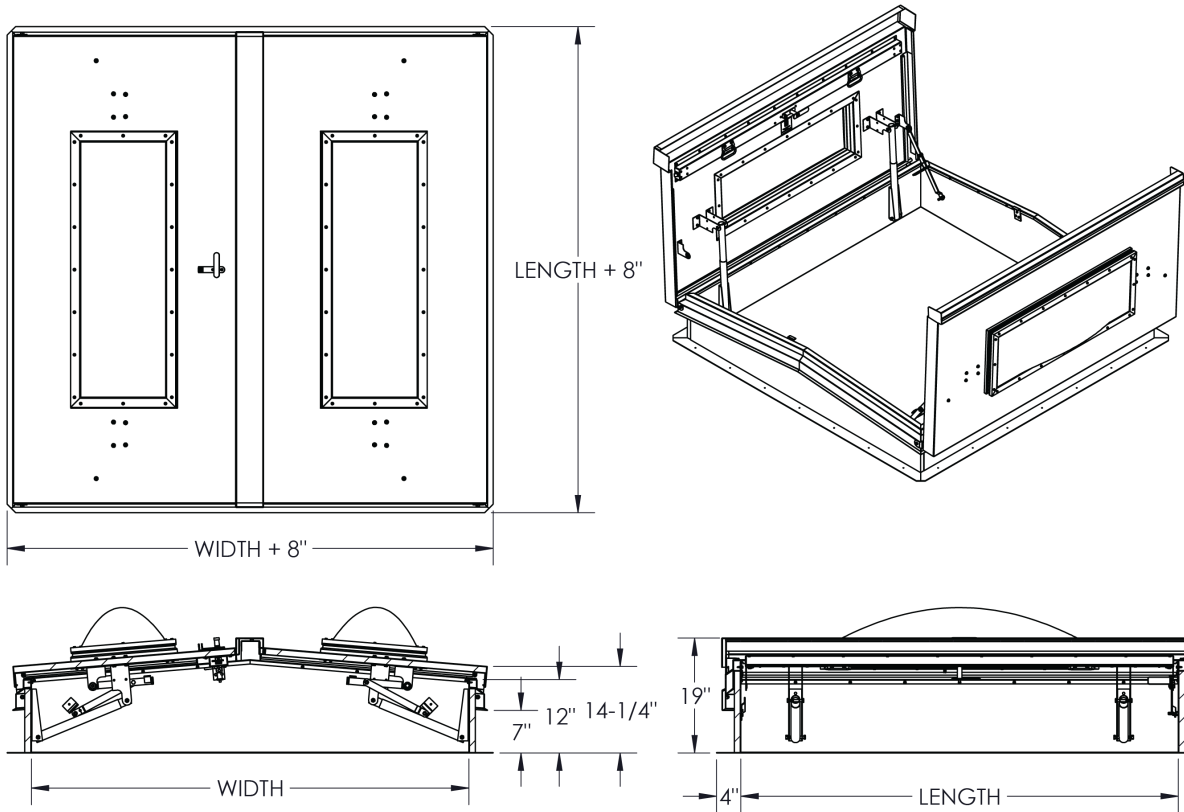


ROOF ACCESSORIES—DURA-HATCH DOMED EQUIPMENT SERIES—REHV

Dur-Red's double leaf domed equipment hatches are ideal for equipment installation and servicing from the roof. Now, with R6 polyisocyanurate insulation and durable factory finish powder coat.



SPECIFICATIONS:

Material: Steel- 14 gauge galvalneal steel curb and cover with 22 gauge galvalneal steel cover liner. Aluminum—11 gauge aluminum curb and cover with 18 gauge aluminum cover liner.

Finish: Powder coat gray texture on steel, powder coat silver texture on aluminum.

Domes: Clear over white acrylic domes

Gasket: Weatherproof EPDM sponge rubber adhesive-backed seal

Insulation: 1" polyisocyanurate (R-6) on curb and in cover

Hinges: Heavy-duty galvalneal steel or aluminum hinge with bolt pin





Hold-Open Arm: Clear zinc-plated steel hold-open arm

Latches: Two point universal spring latches on each cover with exterior and interior handles

Spring: Pressure intensifiers with compression springs provide lift assistance

Sizes: Minimum: 72" x 72" Maximum: 72" x 96"

Clear Opening: Minus 8" on width and minus 8" on length

 DUR-RED PRODUCTS 9702 Newton Av S. Bloomington, MN 55431	 800-554-6077	Distributor:		Project:
	 sales@activarcpg.com	Contractor:		Approved By:
	 www.activarcpg.com	Date:	Quantity:	Architect:
		Scale: N/A	Pages: 1 of 2	Item #

ROOF ACCESSORIES—DURA-HATCH DOMED EQUIPMENT SERIES—REHV

COMMON SIZES—REHV

QTY	MODEL	PRIOR JL MODEL	MATERIAL	CURB OPENING	CLEAR OPENING
	REHVA-7272ST	DEHA-7272	Aluminum	72" x 72"	64" x 64"
	REHVA-7296ST	DEHA-7296 (DEHA-1)	Aluminum	72" x 96"	64" x 88"
	REHVG-7272GT	DEHG-7272	Steel	72" x 72"	64" x 64"
	REHVGA-7272ST	DEHGA-7272	Steel Curb & Aluminum Cover	72" x 72"	64" x 64"
	REHVGA-7296PST	DEHGA-7296 (DEHGA-1)	Steel Curb & Aluminum Cover	72" x 96"	64" x 88"

MADE-TO-ORDER REHV: EXAMPLE—REHVGA-7474PG-VPCW

REHV	MATERIAL	WIDTH	LENGTH	FINISH	OPTIONS
<input type="checkbox"/>	G Galvanneal	<input type="text"/>	<input type="text"/>	GT Powder Coat Gray Texture (Std for REHVG)	<input type="checkbox"/> CD Double Wall Curb
<input type="checkbox"/>	A Aluminum			ST Powder coat Silver Texture (Std for REHVA, REHVGA)	<input type="checkbox"/> CM Curb Mount
<input type="checkbox"/>	GA Steel Curb, Aluminum Cover				<input type="checkbox"/> H18 18" High Curb
					<input type="checkbox"/> IS 1" Fiberboard Insulated Curb
					<input type="checkbox"/> IT 2" Polyiso Insulated Curb
					<input type="checkbox"/> IW 1" x 6" Wood Nailer Top/Polyiso Bottom of Curb
					<input type="checkbox"/> SS Stainless Hardware (excluding zinc plated steel center operator)
					<input type="checkbox"/> VPCW Double Polycarbonate Clear over White Dome
					<input type="checkbox"/> VAW Acrylic Single Dome White
					<input type="checkbox"/> VPW Polycarbonate Single White

It is the responsibility of the customer to communicate specifications and product performance requirements that are needed for their application. This document is intended to convey potential product configurations and offerings. It is not to be used to imply or represent a specification or rating, of finished products shipped. Detailed, specific submittals can be created upon request. It is the responsibility of the customer to specify product accordingly to comply with local laws, codes, and ordinances.